

JEM INTERNATIONAL, INC.
PHONE: 913-441-4787 FAX: 913-441-1711

| JM MAIN SCALE AND HOUSING PARTS LIST | | | | |
|---|---------------|--|-------------|---|
| | PART # | DESCRIPTION | CODE | |
| 1 | 1425194 | Muffler 1/8 NPT | | |
| 2 | 0015480000 | Beam clevis | | |
| 3 | 0024257910 | Chute seal | R | 1 |
| 4 | 0024257911 | Chute seal plate MS | | |
| | 0024257913 | Chute seal plate SS | | |
| | 0034053626 | Valve plate spacer on models without control box | | |
| 5 | 0098363801 | "V" block bearing | | |
| 6 | 0270063801 | Pivot | | |
| 7 | 0379823601 | Slide bar MS | | |
| | 0379823602 | Slide Bar SS | | |
| 8 | 0379833601 | Slide bar spacer MS | | |
| | 0379833602 | Slide bar spacer SS | | |
| 9 | 0379943601 | Gate stop bar MS | | |
| | 0379943602 | Gate stop bar SS | | |
| 10 | 0397083501 | Shipping clip MS | | |
| | 0397083502 | Shipping clip SS | | |
| 11 | 0418176601 | Regulator Slide handle MS | | |
| | 0418176602 | Regulator Slide handle SS | | |
| 12 | 0418183501 | Regulating slide plate MS | | |
| | 0418183502 | Regulating slide plate SS | | |
| 13 | 0423943603 | Sway Link MS | | |
| | 0423943604 | Sway Link SS | | |
| 14 | 0423955501 | Sway Bracket MS | | |
| | 0423955502 | Sway Bracket SS | | |
| 15 | 0447973601 | Dust skirt bar MS | | |
| | 0447973602 | Dust Skirt bar SS | | |
| 16 | 0467603501 | Restrictor plate MS | | |
| | 0467605501 | Restrictor plate SS | | |
| 17 | 2795900000 | Switch MS | R | 1 |
| | 0279590001 | Switch SS | R | 1 |
| 18 | 3600500000 | Rod, gate adjust MS | | |
| | 3600500001 | Rod, gate adjust SS | | |
| 19 | 3700510000 | Foot switch | | |
| 20 | 3700560112 | Male plug | | |
| 21 | 3770180002 | Air cylinder bracket (1 speed) MS | | |
| | 3770180003 | Air cylinder bracket (1 speed) SS | | |
| 22 | 3770190000 | Air cylinder bracket (2 speed) MS | | |
| | 3770190001 | Air cylinder bracket (2 speed) SS | | |

| | PART # | DESCRIPTION | CODE | Simplex |
|----|------------|---|------|---------|
| 23 | 3770330041 | Regulator | | |
| 24 | 3770330040 | Filter Regulator | R | 1 |
| 25 | 3770330039 | FR bowl | R | 2 |
| 26 | 3770330046 | Whole FR assembly | | |
| 27 | 3770340000 | Control box MS | | |
| | 3770340001 | Control box SS | | |
| | 3770340005 | Valve plate (replaces control box on some models) | | |
| 28 | 3770700000 | Housing MS | | |
| | 3770720000 | Housing SS | | |
| 29 | 3770710000 | Feedgate handle MS | | |
| | 3770710001 | Feedgate handle SS | | |
| 30 | 3770800000 | Weight rod MS | | |
| | 3770800001 | Weight rod SS | | |
| 31 | 3770840000 | Prox switch bracket complete MS | | |
| | 3770840002 | Prox switch bracket complete SS | | |
| 32 | 3770840001 | Proximity bracket | | |
| 33 | 3770870000 | Valve | R | 1 |
| 34 | 3770920000 | 2 Speed control, terminal strip | | |
| 35 | 3799990000 | Bag clamp | R | 2 |
| 36 | 3900140000 | Rear clevis (2 speed only) MS | | |
| | 3900140001 | Rear clevis (2 speed only) SS | | |
| 37 | 4425120000 | Special washer | | |
| 38 | 4425150000 | Wingnut | | |
| 39 | 5418150001 | Top chute MS | | |
| | 5418150002 | Top chute SS | | |
| 40 | 5418220001 | Regulating slide MS | | |
| | 5418220002 | Regulating slide SS | | |
| 41 | 5423910001 | Chute gate MS | | |
| | 5423910002 | Chute gate SS | | |
| 42 | 5448200004 | "L" bracket MS | | |
| | 5448200006 | "L" bracket SS | | |
| 43 | 5448200005 | Spring | | |
| 44 | 5448200035 | Hex coupling nut MS | | |
| | 5448200036 | Hex coupling nut SS | | |
| 45 | 5454480002 | "H" bracket MS | | |
| | 5454480004 | "H" bracket SS | | |
| 46 | 5460180001 | Beam stop bracket MS | | |
| | 5460180002 | Beam stop bracket SS | | |
| 47 | 6000420000 | Main beam MS | | |
| | 6000420003 | Main beam SS | | |
| 48 | 6000470001 | Dashpot | | |
| 49 | 7052250000 | Feed gate bearing | | |

| | PART # | DESCRIPTION | CODE | Simplex |
|----|---------------|---|------|---------|
| 50 | 7061150000 | Rod end bearing (2 speed) | | |
| 51 | 7061400000 | Rod end 1/4 RH | | |
| 52 | 7061490000 | Rod end bearing (1 speed) | | |
| 53 | 7623140002 | Spout bearing MS | | |
| | 7623140004 | Spout bearing SS | | |
| 54 | 7675400003 | Flow decal | | |
| 55 | 7791780000 | Dust skirt fabric | R | 1 |
| 56 | 7800510000 | Proximity switch | R | 1 |
| 57 | 7800550150 | Load Cell #150, Canadian series | | |
| 58 | 7800550250 | Load Cell #250, standard series | R | 1 |
| 59 | 7800550604 | Summing box | | |
| 60 | 7800552003 | Fuse 3 AMP | R | 10 |
| 61 | 7800650001 | Knob | | |
| 62 | 7800700000 | Timer | R | 1 |
| 63 | 7800800003 | Socket Timer/relay | | |
| 64 | 7800800110 | Relay | R | 1 |
| 65 | 8282500000 | Brass fittings elbow or straight | R | 15 |
| 66 | 8282504444 | 1/4" airline | R | 30' |
| 67 | 8282509999 | Vent dust port | | |
| 68 | 8332850000 | Gate cylinder (1 speed) MS | R | 1 |
| | 8332850001 | Gate cylinder (1 speed) SS | R | 1 |
| 69 | 8333260000 | Spout cylinder MS | | |
| | 8333260003 | Spout cylinder SS | | |
| 70 | 83NC1A200-PS | Seal kit, spout MS | R | 1 |
| | 83CG5N50SRPS | Seal kit, spout SS | R | 1 |
| 71 | 8333260002 | Clevis spout | | |
| 72 | 83NQ250GDF145 | Gate cylinder (2 speed) MS | R | 1 |
| 73 | 83US19149 | Gate cylinder (2 speed) SS | R | 1 |
| 74 | 9250400000 | Weight box cover | | |
| 75 | 9267080000 | Weight box | | |
| 76 | 9500150000 | Bulb | R | 10 |
| 77 | 9500150100F | Selector switch | | |
| 78 | 9500150131F | Red cycle light | | |
| 79 | 9500150134F | Green "on" pilot | | |
| 80 | 9500380000 | Terminal block | | |
| 81 | 9500410000 | Terminal ground | | |
| 82 | 9500440000 | Terminal fuse holder | | |
| | 83CQ2B50-PS | Seal kit 2 speed gate cylinder MS or SS | R | 2 |
| | | | | |
| | | | | |

| PART # | DESCRIPTION | CODE | Simplex |
|--------------|-------------------------------|------|---------|
| | GSE Controller | | |
| 13-10-7050 | Fuse 600 series main PCB | R | 5 |
| 24660B-122A0 | I/O Module 2 input/2 output R | R | 1 |
| 24660B-130A0 | I/O Module 4 Position SBM. AC | R | 1 |
| 24660B-102C0 | SCR CONTROL 660 | R | 1 |
| 95HBC25DS10 | Crydom Relay, DC control SC | R | 1 |

R=RECOMMENDED SPARE PARTS

When ordering parts be sure to advise scale

construction (ex. Mild steel, stainless) and serial number

Some part pictures may differ from your scale as we do update parts occasionally

Valves 3 utilized for 2 speed, 2 utilized for single speed

3770870000

Valve 220

3770870220

Valve Plate
3770340005

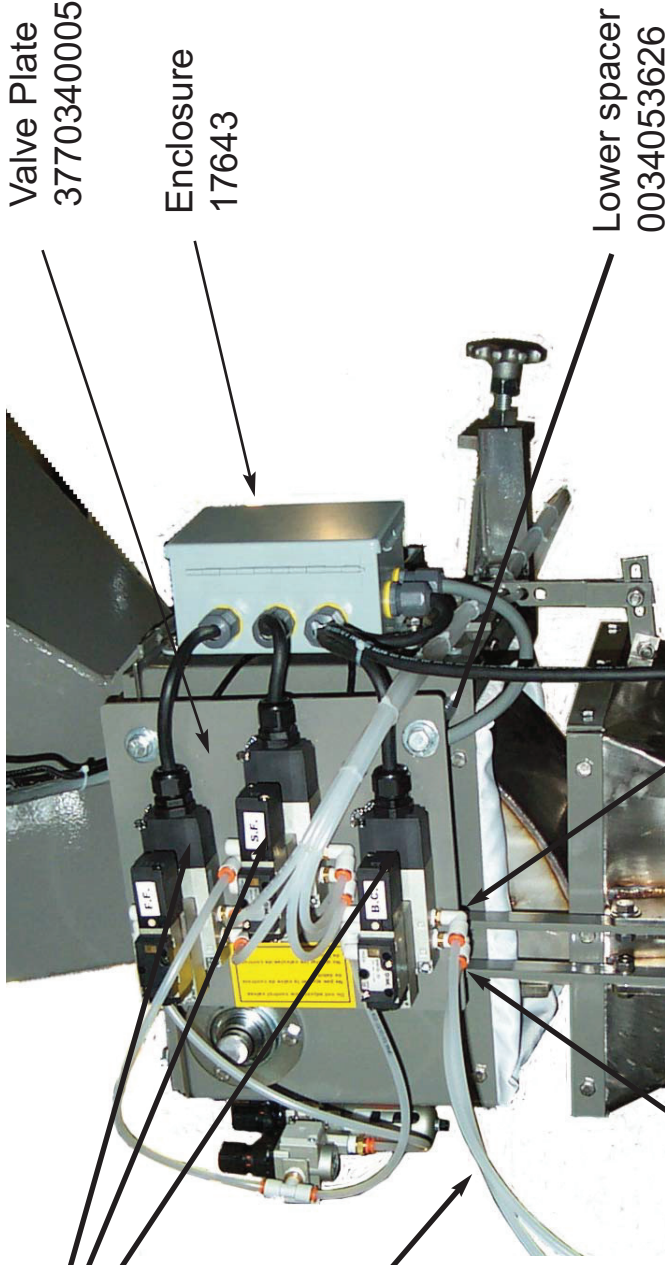
Enclosure
17643

1/4" air line
8282504444

Lower spacer
0034053626

Muffler 1/8 NPT
1425194

1/4 x 1/8 NPT
Elbow & straight fittings
8282500000

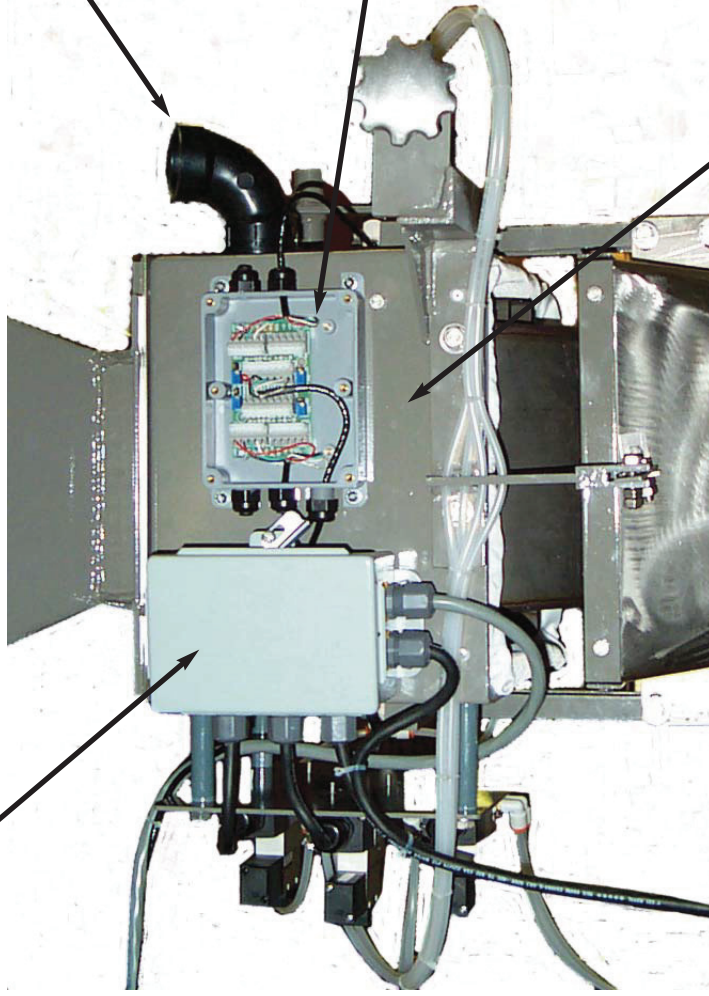


Enclosure
17643

Dust Port
8282509999

Summing Box
7800550604

Scale housing
3770700000MS
3770720000SS



Regulator slide handle
0418176601MS
0418176602SS

Filter Regulator Assembly
3770330046
Components
Regulator 3770330041
Filter regulator 3770330040
3/8 x 1/4 elbow fitting
8282500000
3/8 x 1/4 straight fitting



Dust Skirt
7791780000

Dust Skirt bar
0447973601MS
0447973602SS

Name Plate
9300030000

Flow Decal
7675400003

Rod end bearing
7061400000

Feed gate cylinder
Two speed
83NQ250GDF145MS
83US19149SS

Rear Clevis
(2 speed only)
3900140000MS
3900140001SS

Rod, gate adjust
3600500000MS
3600500001SS

Adjust knob
7800650001

Sway Link
0423943603MS
0423943604SS

Sway Bracket
0423955501MS
0423955502SS

Feed gate cylinder
Single speed
8332850000MS
8332850001SS

Load Cell behind cylinder
7800550250
Canadian
7800550150

2 Speed

Feed gate handle
3770710000MS
3770710001SS

Feed gate bearing
7052250000

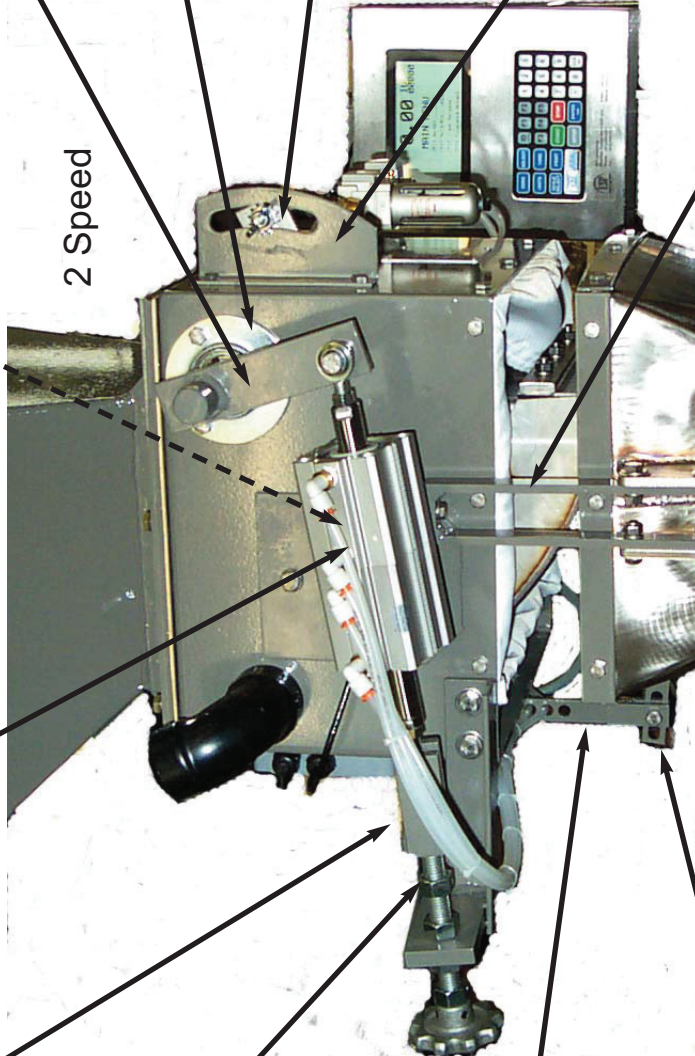
Regulator slide
5418220001MS
5418220002SS

Regulating slide
plate
0418183501MS
0418183502SS

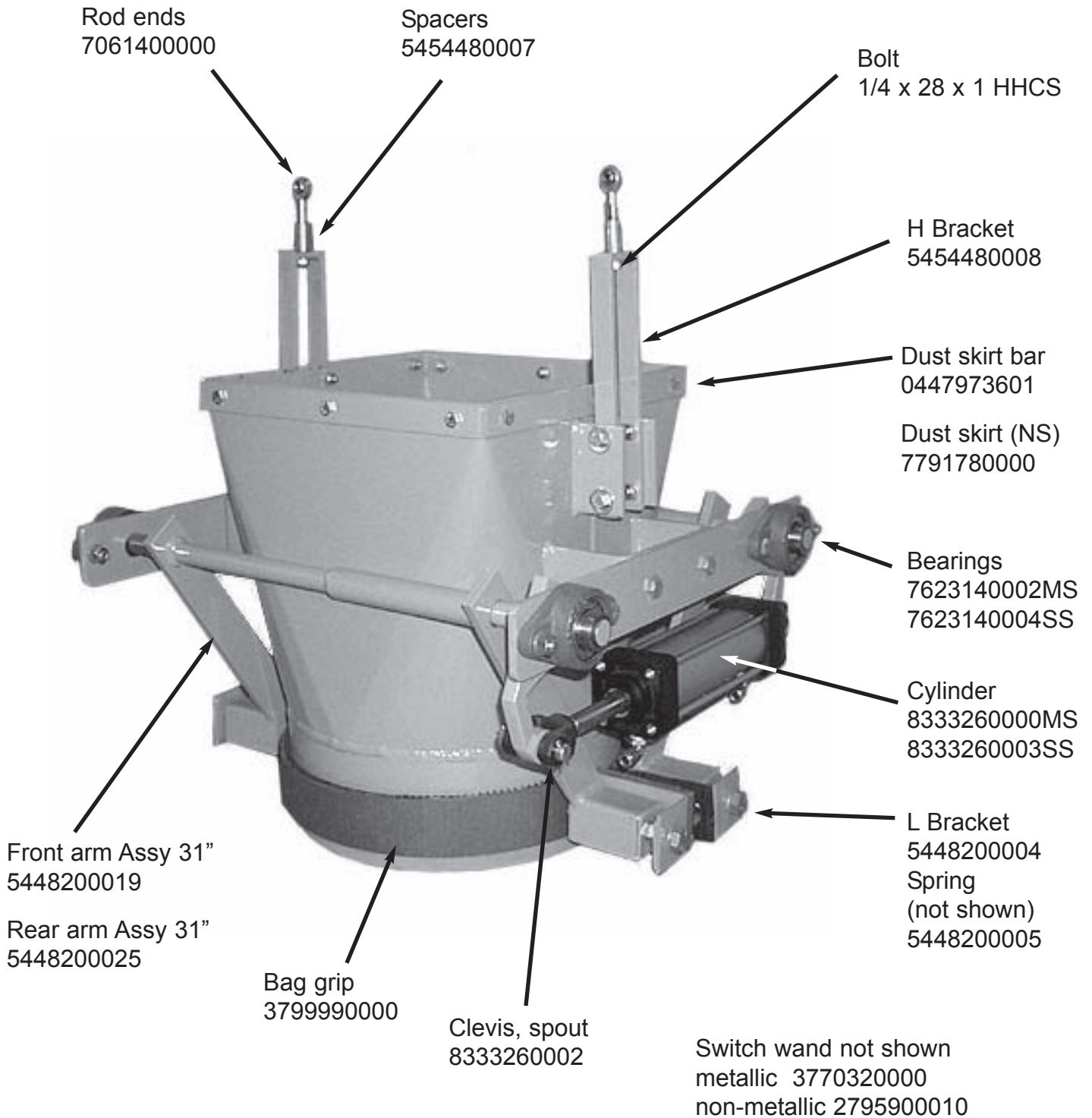
H Bracket
5454480002MS
5454480004SS

Load Cell
7800550250
Canadian
7800550150

Single Speed



AO by Circumference DUST TIGHT SPOUT



CENTER GRIP SPOUT

