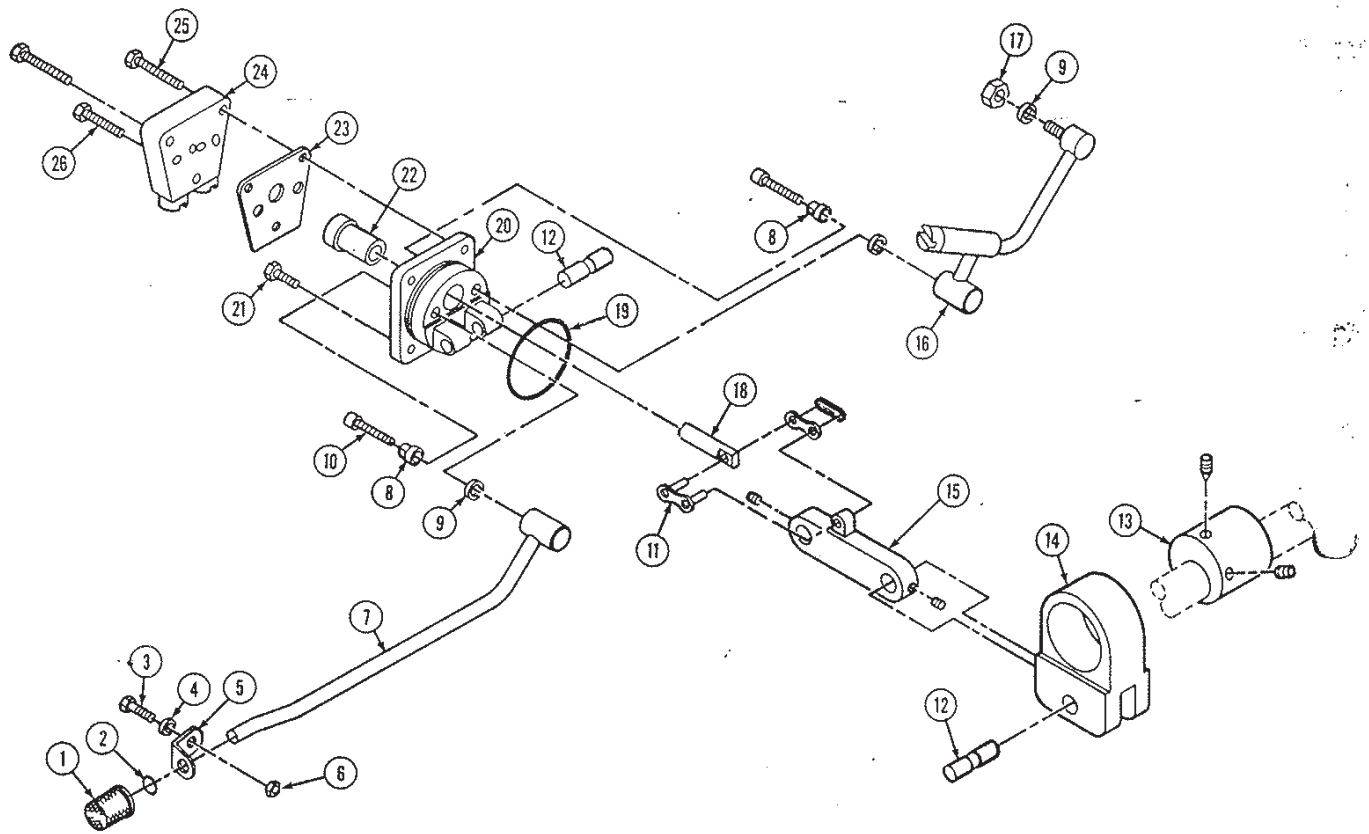


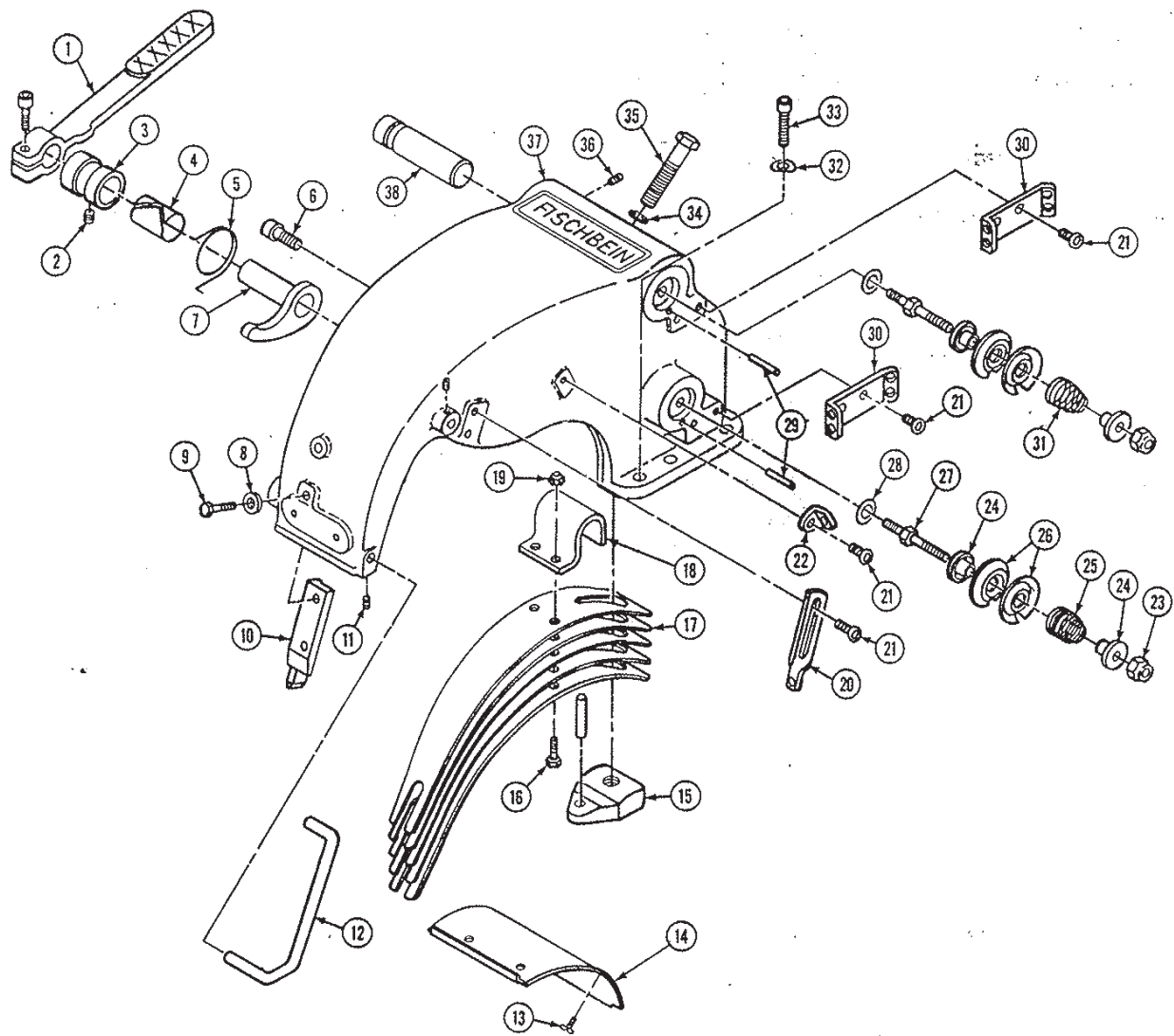
## MAIN HOUSING

ITEM	QUAN.	PART NO.	DESCRIPTION
1	1	10017	PLATE, THROAT
	1	10018	PLATE, THROAT - (LONG STITCH)
2	2	F103258	SCREW, FLAT HD (LONG)
3	2	F103238	SCREW, FLAT HD (SHORT)
4	1	10091	KNIFE, STATIONARY
5	1	F83214	SCREW, FLAT HD
6	1	10015	POST, SHORT - THROAT PLATE
7	3	WN8	WASHER, NYLON
8	3	WF10	WASHER, FLAT #10
9	6	H103212	SCREW, HEX HD
10	2	B103214	SCREW, BINDING HD 10-32 x 1/4
11	1	10111	PLUG, DRAIN - MAGNETIC
12	2	F1032114	SCREW, FLAT HD (LONG)
13	4	F103212	SCREW, FLAT HD (SHORT) 10-32 x 1/2
14	1	10022	COVER, BOTTOM
15	1	10170	PULL-OFF - LOOPERTHREAD
16	1	NH1420	NUT, HEX
17	1	WF14	WASHER
18	1	10052	WASHER - NYLON
19	1	10093	GASKET, COVER - BOTTOM
20	1	H103234	SCREW, HEX HD 10-32 x 3/4
21	1	10016	POST, LONG - THROAT PLATE
22	1	10095	DOOR, LOOPER
23	1	10112	WINDOW, OIL LEVEL
24	1	10097	PLATE, LATCH - LOOPER DOOR
25	1	H103238	SCREW, HEX HD 10-32 x 3/8
26	3	B632316	SCREW, BINDING HD
27	1	10098	COVER, GROOVE - THREAD
28	1	10164	EYELET, THREAD - SHORT
29	1	SB103212	SCREW, SOCKET BOTTOM 10-32 x 1/4
30	1	10116	ASS'Y, PLUG - BREATHER
31	4	H10321	SCREW, HEX HD 10-32 x 1
32	1	10227	GAUGE, OIL PRESSURE
33	1	10226	ADAPTER, GAUGE - OIL PRESSURE
34	1	10094	GASKET, MAIN SHAFT SEAL
35	1	10012	HOUSING, MAIN
36	1	10095	GASKET, COVER - MANIFOLD
37	1	10100	COVER, MANIFOLD
38	1	10092	GASKET, COVER - TOP
39	1	10014	PLATE, COVER - TOP
40	4	F103238	SCREW, FLAT HD



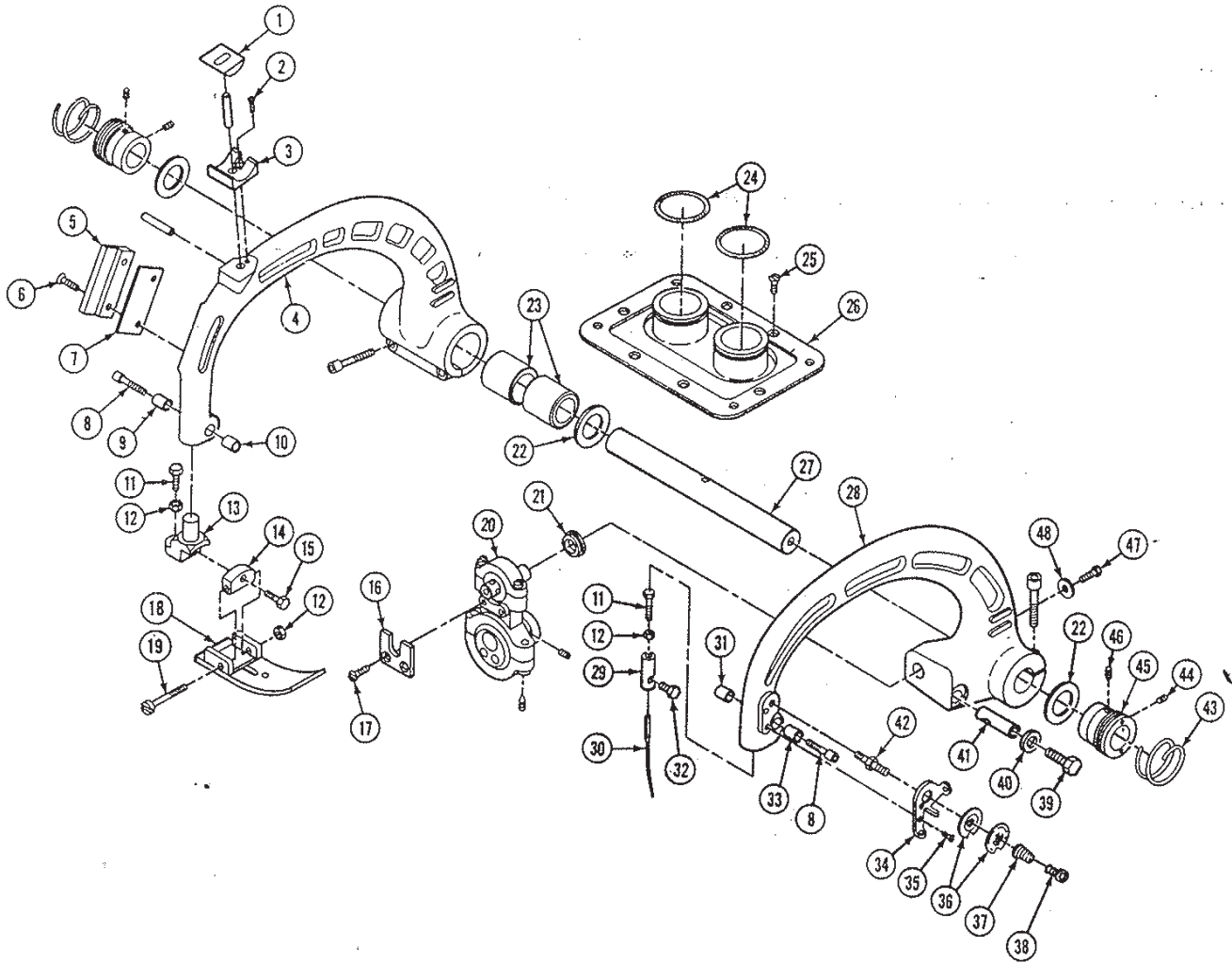
## OIL PUMP & COUNTERWEIGHT ASSEMBLY

ITEM	QUAN.	PART NO.	DESCRIPTION
1	1	10191	ASS'Y, FILTER - INTAKE
2	1	10192	RING, "O" - INTAKE FILTER
3	1	B103212	SCREW, BINDING HD
4	1	WN8	WAHER, NYLON
5	1	10204	RETAINER, TUBE - INTAKE
6	1	NH1032	NUT, HEX 10-32 NF
7	1	10105	ASS'Y, TUBE - INTAKE
8	2	10178	INSERT, BODY - PUMP
9	1	10107	RING, "O" - INTAKE TUBE
10	2	SC63278	SCREW, SOCKET HD CAP
11	1	10104	LINK, CONNECTING - PUMP DRIVE
12	2	10103	PIN, PIVOT - PUMP DRIVE
13	1	10061	ECCENTRIC, STROKE - PUMP
	1	SS142038	SCREW, SET
	1	SS142038CP	SCREW, SET - CONE POINT
14	1	10101	COUNTERWEIGHT & PUMP DRIVE
15	1	10102	LINK, CONTROL - PUMP DRIVE
	2	SS1032316	SCREW, SET
16	1	10734	ASS'Y, TUBE - PRESSURE
17	1	NH1420	NUT, HEX
18	1	10169	PSITON, PUMP
19	1	10084	RING "O"
20	1	10167	BODY, PUMP
21	4	H103212	SCREW, HEX HD
22	1	10168	CYLINDER, PUMP
23	1	10049	GASKET, BLOCK - VALVE
24	1	10732	BLOCK VALVE
25	2	H1032114	SCREW, HEX HD (LONG)
26	1	H10321	SCREW, HEX HD (SHORT)



## LEVERS HOUSING

ITEM	QUAN.	PART NO.	DESCRIPTION
1	1	10141	LEVER, LIFTER - PRESSURE FOOT
	1	SC142034	SCREW, SOCKET HD CAP
2	1	SS142014	SCREW, SET
3	1	10139	BUSHING, LIFTER - PRESSER FOOT
4	1	10186	LINER, BUSHING - LIFTER LEVER
5	1	10187	SPRING, LIFTER LEVER
6	1	SC5161858	SCREW, STOP - LIFTER LEVER
7	1	10142	CAM, LIFTER - PRESSER FOOT
8	2	WS10	WASHER, SPRING #10
9	2	H103278	SCREW, HEX HD
10	1	10161	GUIDE, LEVER - PRESSER FOOT
11	2	SS1032516	SCREW, SET
12	1	10188	GUARD, TENSION - NEEDLE
13	2	B103238	SCREW, BINDING HD
14	1	10123	COVER, GUARD - LEVERS
15	1	10146	PLATE, PRESSER FOOT SPRING - TAPPED
	1	PS141	PIN, ROLL
16	2	H103234	SCREW, HEX HD
17	5	10145	SPRING, PRESSER FOOT
18	1	10144	CLAMP, SPRING - PRESSER FOOT
19	2	1-178	NUT, LOCK
20	1	10171	PULL-OFF, NEEDLE THREAD
21	7	SB103212	SCREW, SOC BTM 10-32 x 1/2
22	1	10164	EYELET, THREAD - SHORT
23	2	NH1428L	NUT
24	4	10114	SLEEVE, TENSION
25	1	10008	SPRING, TENSION - LOOPERTHREAD
26	4	10120	DISC, TENSION - LARGE
27	2	10115	STUD, TENSION
28	2	11120	WASHER, LOCK
29	2	PS18114	PIN, RETAINING - TENSION DISC
30	2	10165	EYELET, THREAD - LONG
31	1	10007	SPRING, TENSION - NEEDLE THREAD
32	4	10234	WASHER, SPRING
33	4	SC516181	SCREW, SOCKET HD CAP
34	1	WF38	WASHER
35	1	H3824134	SCREW, ADJUSTING
36	1	SS142038	SCREW, SET
37	1	10002	HOUSING, LEVERS
38	1	10143	SHAFT, SPRING - PRESSER FOOT

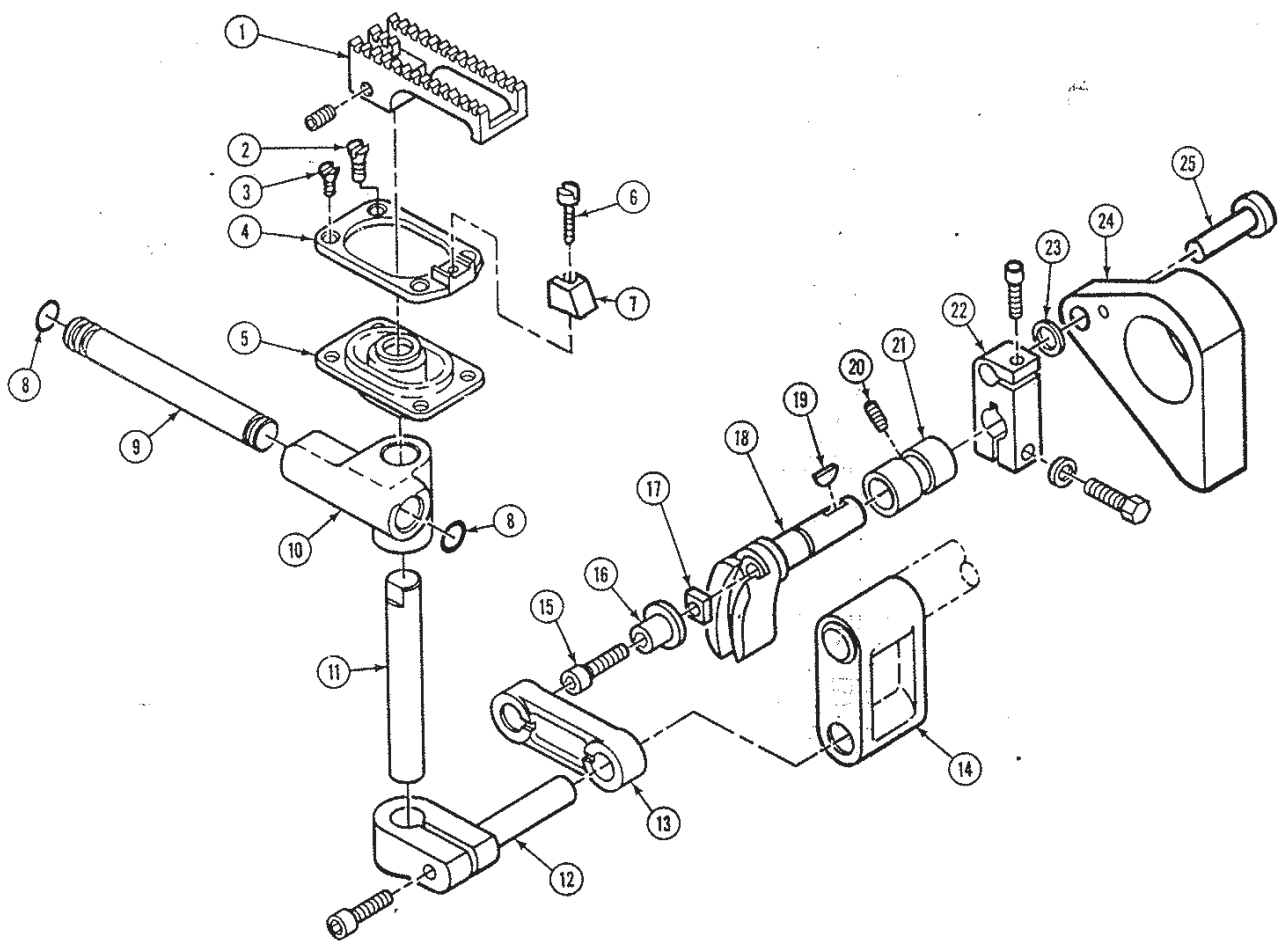


## NEEDLE & PRESSER FOOT LEVER ASSEMBLIES

ITEM	QUAN.	PART NO.	DESCRIPTION
1	1	10190	PAD, SPRING -- PRESSER FOOT
2	1	F63214	SCREW, FLATHD
3	1	10189	CRADLE, PAD -- PRESSER FOOT SPRING
4	1	10004	LEVER, PRESSER FOOT
	2	SC14201	SCREW, SOCKET HD CAP
	2	PS14112	PIN, ROLL
5	1	10163	CLAMP, BEARING -- SHEET
6	2	F103258	SCREW, FLATHD
7	1	10162	SHEET, BEARING -- PRESSER FOOT LEVER GUIDE
8	2	SC63234	SCREW, SOCKET HD CAP
9	1	10213	PLUG, CLAMP -- DRILLED (PRESSER FOOT)
10	1	10214	PLUG, CALMP -- TAPPED (PRESSER FOOT)
11	1	H103234	SCREW, HEX HD
12	3	NH1032	NUT
13	1	10155	SHANK, PRESSER FOOT
14	1	10156	BLOCK, HINGE -- PRESSER FOOT
15	1	H103258	SCREW, HEX HD
16	1	10048	RETAINER, ROD -- CONNECTING
17	2	F103238	SCREW, FLATHD
18	1	10185	PRESSER FOOT
	1	10285	PRESSER FOOT, (RIP CORD)
19	1	10182	BOLT, HINGING -- PRESSER FOOT
20	1	10047	ROD, CONNECTING -- NEEDLE DRIVE
	1	SS142038CP	SCREW, SET -- CONE POINT
	1	SS142014	SCREW, SET
21	1	10159	SPACER, STUD -- BALL
22	3	T3129	WASHER, THRUST
23	2	10029	BUSHING, LEVER -- PRESSER FOOT
24	2	10128	SPRING, GARTER -- LEVER SEAL
25	4	F103238	SCREW, FLATHD
26	1	10137	SEAL, LEVERS
27	1	10026	SHAFT, LEVERS
28	1	10003	LEVER, NEEDLE
	2	SC1420114	SCREW, SOCKET HD CAP
29	1	10031	CHUCK, NEEDLE
30	1	C100-S	NEEDLE
31	1	10212	PLUG, CLAMP-TAPPED (NEEDLE LEVER)
32	1	10011	SCREW, CLAMP NEEDLE
33	1	10211	PLUG, CLAMP-DRILLED (NEEDLE LEVER)
34	1	10166	GUIDE, THREAD -- (NEEDLE LEVER)
35	2	F54038	SCREW, FLATHD
36	2	10119	DISC, TENSION -- SMALL
37	1	10009	SPRING, TENSION -- (NEEDLE LEVER)
38	1	B103238	SCREW, BINDING HD
39	1	H10321	SCREW, HEX HD
40	1	10231	WASHER, HEAVY -- (NEEDLE LEVER)
41	1	10232	ROD, CLAMP -- (NEEDLE LEVER)
42	1	10113	STUD, TENSION -- (NEEDLE LEVER)
43	2	10023	INSERT, THREAD -- LEVERS SHAFT BUSHING
44	2	SS103238	SCREW, SET (LONG)
45	2	10025	BUSHING, SHAFT LEVERS
46	2	SS1032316	SCREW, SET (SHORT)
47	1	H103238	SCREW, HEX HD
48	1	WS10	WASHER, SPRING #10

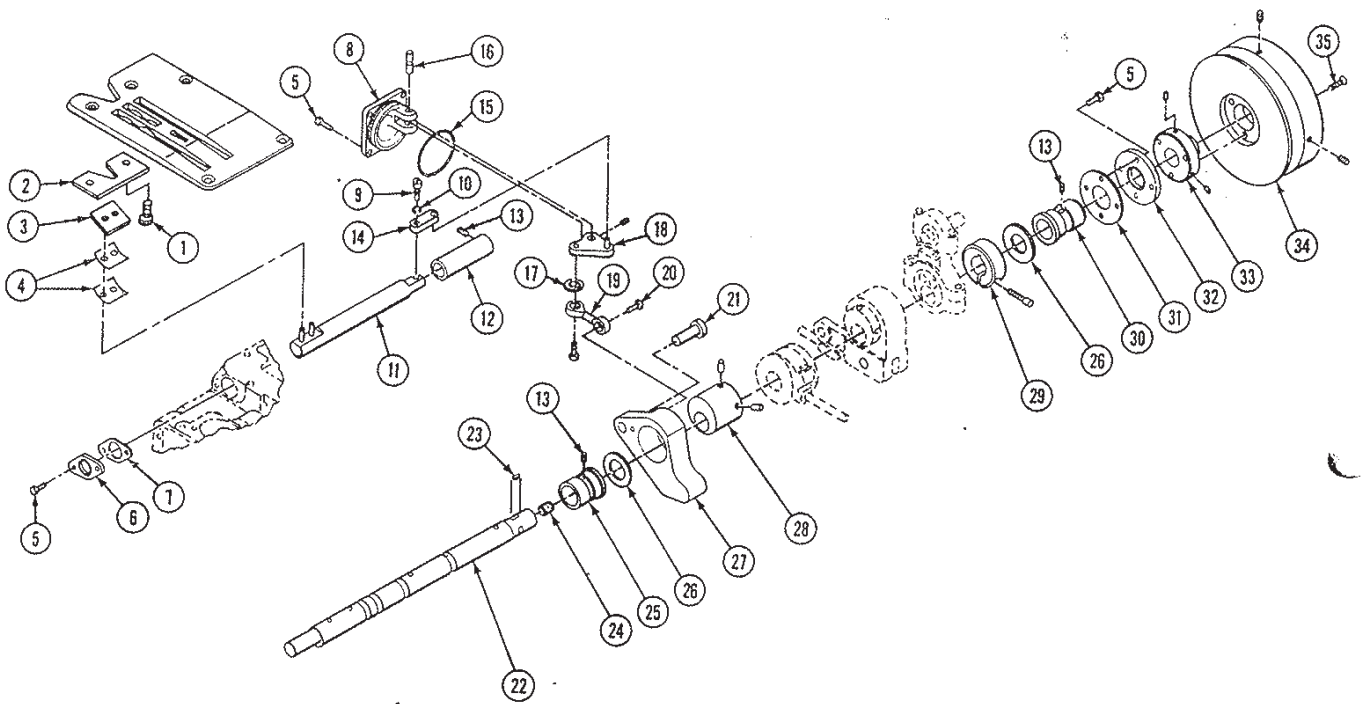


EXPLODED VIEW



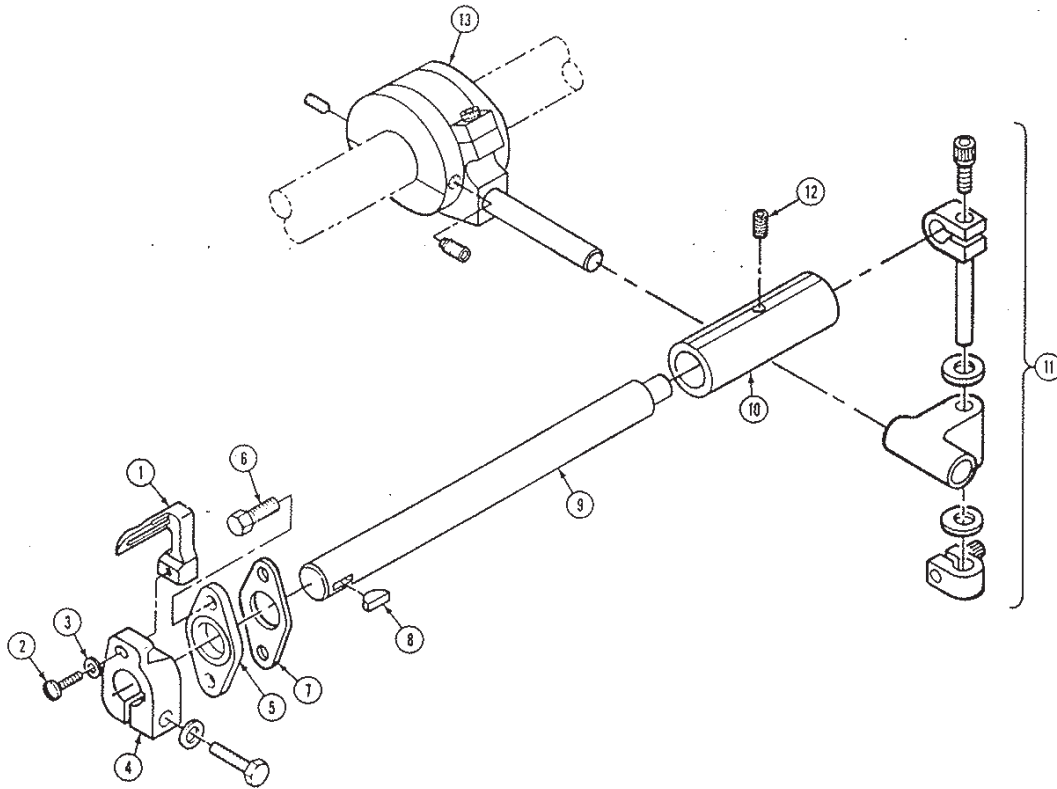
## FEED ASSEMBLY

ITEM	QUAN.	PART NO.	DESCRIPTION
1	1	10078	DOG, FEED
	1	10079	DOG, FEED (LONG STITCH)
	1	SS1032516	SCREW, SET
2	1	F103238	SCREW, FLATHD
3	3	F103212	SCREW, FLATHD
4	1	10177	HOLDER, GUARD - NEEDLE
5	1	10077	SEAL, DOG - FEED
6	1	P540916	SCREW, PAN HD
7	1	10174	GUARD, NEEDLE
8	2	10075	RING, "O"
9	1	10074	ROD, SLIDE - FEED
10	1	10073	SLIDE, FEED
11	1	10072	ROD, CARRIER - FEED DOG
12	1	10070	CLAMP, ROD - FEED DOG CARRIER
	1	SC142078	SCREW, SOCKET HD
13	1	10069	LINK, STROKE - FEED
14	1	10071	LINK, LIFT - FEED
15	1	SC142878	SCREW, SOCKET HD CAP
16	1	10068	PIVOT, ADJUSTING - FEED STROKE
17	1	10067	NUT, PIVOT - FEED STROKE ADJUSTING
18	1	10066	LEVER, SLOTTED - FEED ROCKER
19	1	T3192	KEY
20	1	SS1032516	SCREW, SET
21	1	10109	BUSHING, SHAFT - FEED ROCKER
22	1	10063	LEVER, PIN - FEED ROCKER
	1	SC54012	SCREW, SOCKET HD CAP
	1	H103258	SCREW, HEX HD
	1	WF10	WASHER, FLAT #10
23	1	10215	WASHER, THRUST
24	1	10062	ROD, CONNECTING - PRIMARY FEED STROKE
25	1	10064	PIN, ROD - FEED STROKE CONNECTING



## MAIN SHAFT & KNIFE ASSEMBLY

ITEM	QUAN.	PART NO.	DESCRIPTION
1	1	F83214	SCREW, FLATHD
2	1	10091	KNIFE, STATIONARY
3	1	10090	KNIFE, MOVING
4	2	10089	SPRING, KNIFE
5	10	H103212	SCREW, HEX HD
6	1	10076	ASSEMBLY, SEAL - KNIFE SHAFT
7	1	10058	GASKET, LOOPER SHAFT
8	1	10085	BRACKET, PIVOT - KNIFE
9	1	10087	SCREW, PIVOT - KNIFE
10	1	11120	WASHER, LOCK
11	1	10088	SHAFT, KNIFE
12	1	10056	BUSHING, SHAFT - KNIFE
13	3	SS1032516	SCREW, SET
14	1	10086	LINK, KNIFE
15	1	10084	RING, "O"
16	1	10083	SHAFT, BELL CRANK - KNIFE
17	1	WF10	WASHER, FLAT #10
18	1	10082	CRANK, BELL - KNIFE
	1	SS540316	SCREW, SET
19	1	10080	ASSEMBLY, CONNECTING ROD - KNIFE
20	1	H103258	SCREW, HEX HD #10-32 x 5/8
21	1	10064	PIN, ROD - FEED STROKE CONNECTING
22	1	10045	SHAFT, MAIN
23	1	T3192	KEY
24	1	10125	PLUG, PIPE - MAINSHAFT
25	1	10044	BUSHING, MAIN SHAFT - NEEDLE END
26	2	T3129	WASHER, THRUST
27	1	10062	ROD, CONNECTING - PRIMARY FEED STROKE
28	1	10061	ECCENTRIC, STROKE - FEED
	1	SS142038	SCREW, SET
	1	SS142038CP	SCREW, SET - CONE POINT
29	1	10158	COLLAR, LOCK - MAIN SHAFT
	1	SC103258	SCREW, SOCKET HD CAP
30	1	10043	BUSHING, MAIN SHAFT - DRIVE END
31	1	10094	GASKET, MAIN SHAFT SEAL
32	1	10035	ASSEMBLY, SEAL - MAIN SHAFT
33	1	10038	HUB, PULLEY
	2	SS142038	SCREW, SET
34	1	10199	PULLEY, ADJUSTABLE
	2	SS142038	SCREW, SET
35	3	F103258	SCREW, FLATHD



## LOOPER ASSEMBLY

ITEM	QUAN.	PART NO.	DESCRIPTION
1	1	10060	LOOPER (TWO THREAD)
2	1	P540916	SCREW, PAN HD
3	1	WF5	WASHER #5
4	1	10059	HOLDER, LOOPER
	1	H103234	SCREW, HEX HD #10-32 x 3/4
	1	WF10	WASHER FLAT #10
5	1	10076	ASS'Y SEAL - LOOPER SHAFT
6	2	H103212	SCREW, HEX HD
7	1	10058	GASKET, LOOPER SHAFT
8	1	T3192	KEY
9	1	10055	SHAFT, LOOPER
10	1	10056	BUSHING, SHAFT - LOOPER
11	1	10173	ASS'Y PIVOT - LOOPER
	2	15066	THRUST WASHER
	1	15065	CLAMP
12	1	SS1032516	SCREW, SET
13	1	10150	ASS'Y CAM - LOOPER
	1	SS103258CPL	SCREW, SET - CONE POINT
	1	SS103212L	SCREW, SET