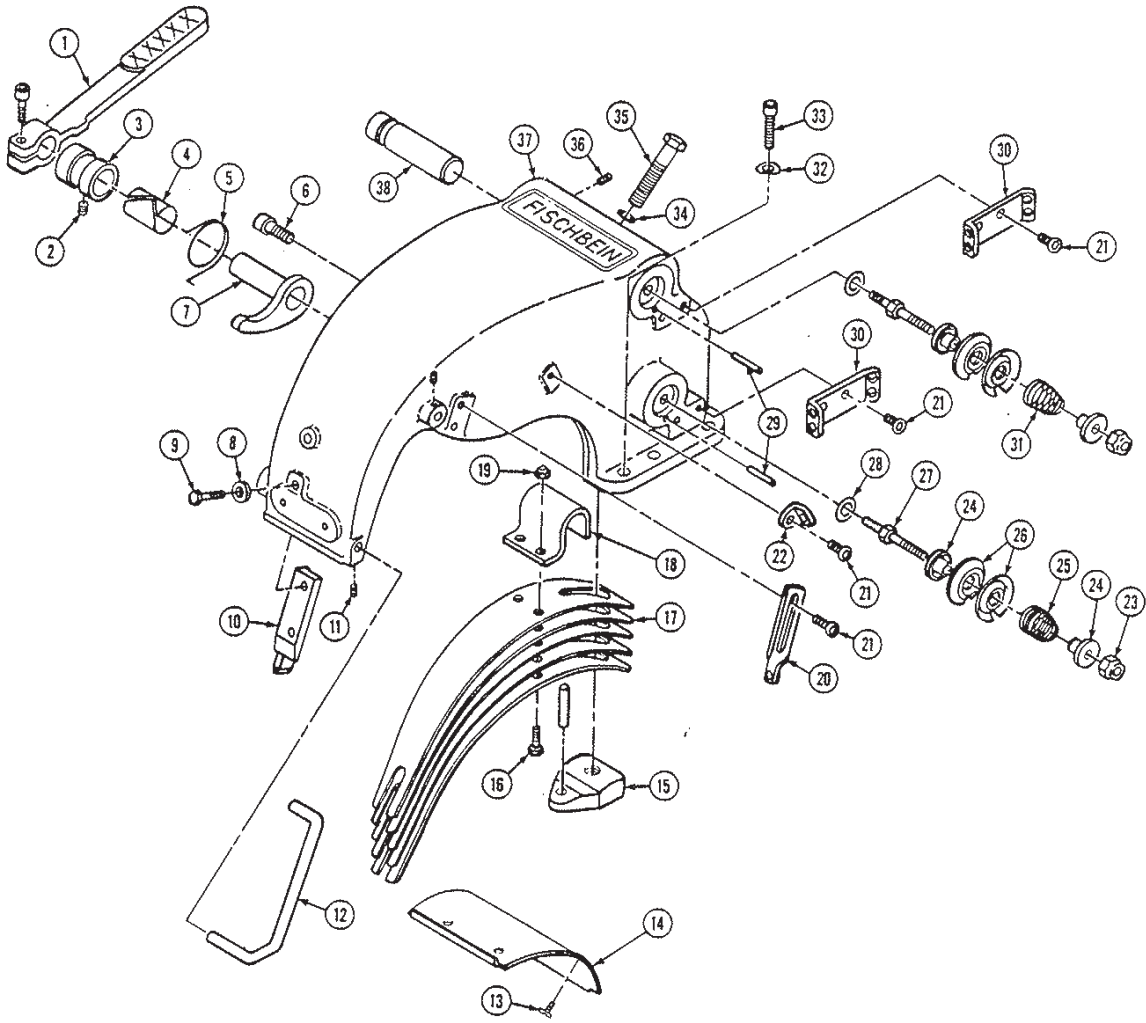


MAIN HOUSING

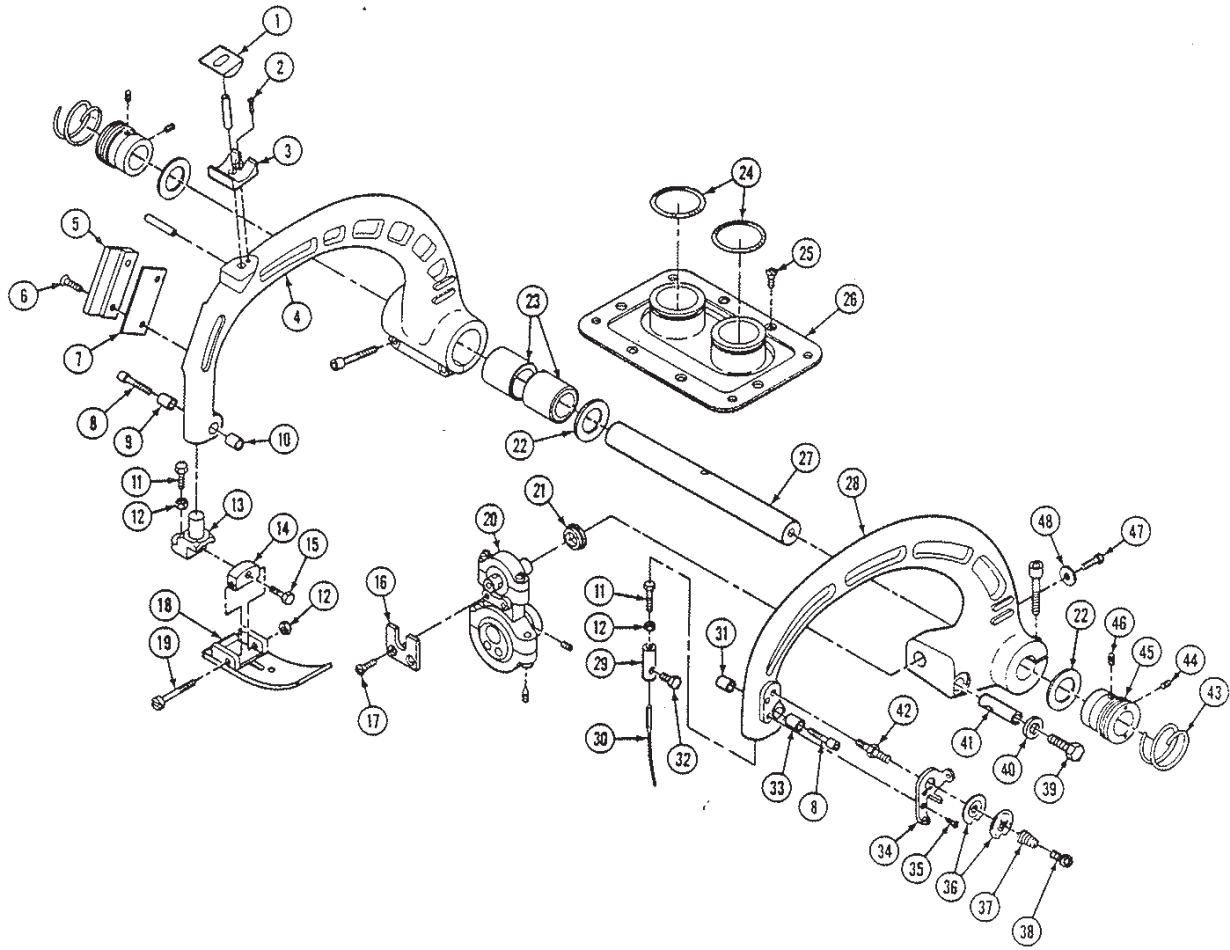
10,300

ITEM	QTY.	PART NO.	DESCRIPTION
1	1	10302	PLATE, THROAT - RAMP CUTTER (LONG STITCH)
	1	10303	PLATE, THROAT - RAMP CUTTER
2	2	F103258	SCREW, FLAT HD (LONG)
3	6	F103238	SCREW, FLAT HD (SHORT)
4	1	10304	RAMP
5	1	10015	POST, SHORT - THROAT PLATE
6	1	H103212	SCREW, HEX HD
7	3	WN8	WASHER, NYLON
8	1	WF10	WASHER
9	2	B103238	SCREW, BINDING HD
10	1	10112	WINDOW, OIL LEVEL
11	1	10111	PLUG, DRAIN - MAGNETIC
12	1	15072	COVER, BOTTOM
13	6	SC10325/8	SCREW, SOC HD 10-32 X 5/8
14	1	10170	PULL-OFF - LOOPER THREAD
15	1	NH1420	NUT, HEX
16	1	WF14	WASHER
17	1	10052	WASHER - NYLON
18	1	10093	GASKET, COVER - BOTTOM
19	1	10016	POST, LONG - THROAT PLATE
20	1	SS10321	SCREW SET 10-32 X 1
21	1	10005	DOOR, LOOPER
22	3	B632316	SCREW, BINDING HD
23	1	10098	COVER, GROOVE - THREAD
24	1	10164	EYELET, THREAD - SHORT
25	1	SC103212	SCREW, SOCKET 10-32 X 1/2
26	1	10116	ASS'Y, PLUG - BREATHER
27	1	15053	GUAGE, OIL PRESSURE
28	1	10226	ADAPTER, GAUGE - OIL PRESSURE
29	4	H10321	SCREW, HEX HD
30	1	10094	GASKET, MAIN SHAFT SEAL
31	1	15002	HOUSING, MAIN
32	1	10095	GASIKET, COVER - MANIFOLD
33	1	15056	MANIFOLD, FILTER
34	5	SC103234	SCREW, SOC. CAP 10-32 X 3/4
35	1	15062	NIPPLE, FILTER - OIL
36	1	15055	NIPPLE, CLOSE - 1/8
37	1	15060	VALVE CHECK
38	1	15054	CARTRIDGE, OIL - FILTER
39	1	10092	GASKET, COVER - TOP
40	1	10014	PLATE, COVER - TOP



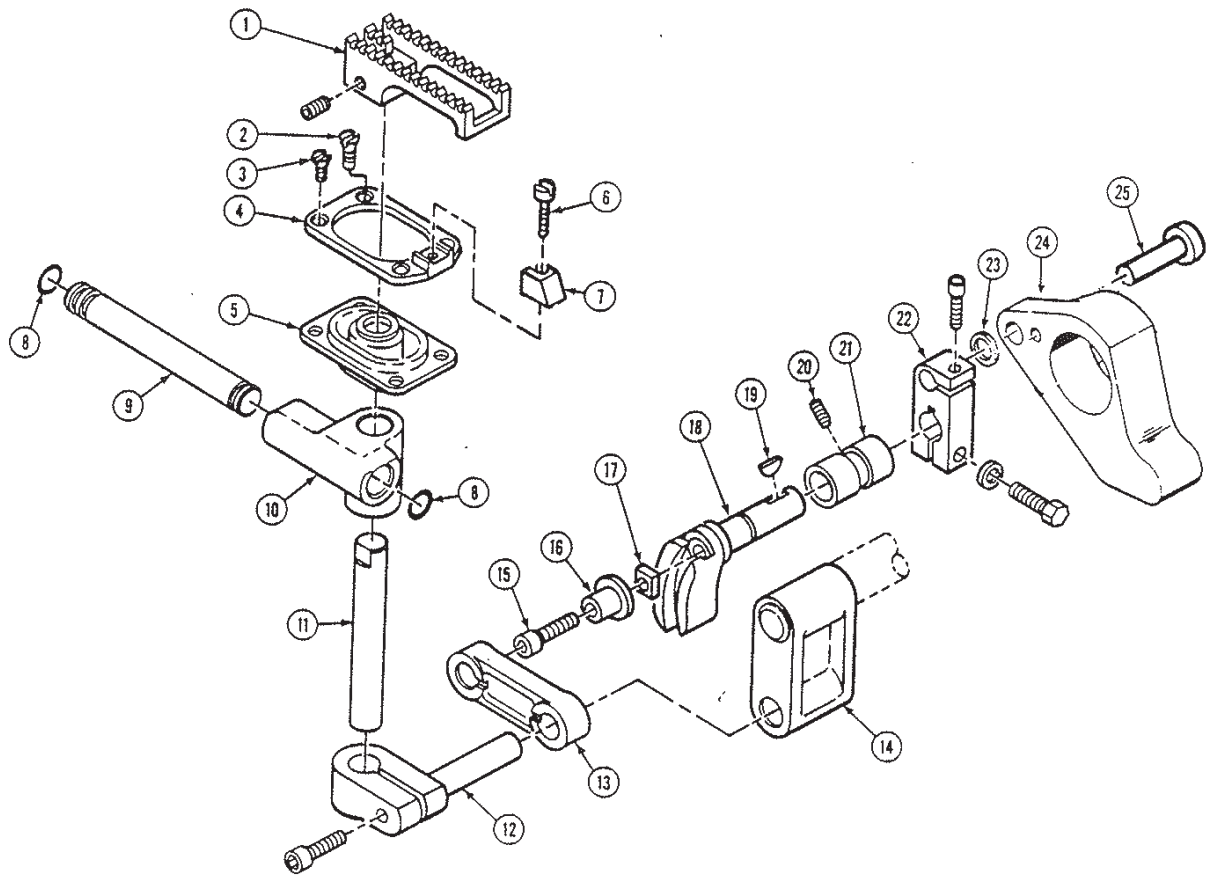
LEVERS HOUSING

ITEM	QUAN.	PART NO.	DESCRIPTION
1	1	10141	LEVER, LIFTER - PRESSURE FOOT
	1	SC142034	SCREW, SOCKET HD CAP
2	1	SS142014	SCREW, SET
3	1	10139	BUSHING, LIFTER - PRESSER FOOT
4	1	10186	LINER, BUSHING - LIFTER LEVER
5	1	10187	SPRING, LIFTER LEVER
6	1	SC5161858	SCREW, STOP - LIFTER LEVER
7	1	10142	CAM, LIFTER - PRESSER FOOT
8	2	WS10	WASHER, SPRING #10
9	2	H103278	SCREW, HEX HD
10	1	10161	GUIDE, LEVER - PRESSER FOOT
11	2	SS1032516	SCREW, SET
12	1	10188	GUARD, TENSION - NEEDLE
13	2	B103238	SCREW, BINDING HD
14	1	10123	COVER, GUARD - LEVERS
15	1	10146	PLATE, PRESSER FOOT SPRING - TAPPED
	1	PS141	PIN, ROLL
16	2	H103234	SCREW, HEX HD
17	5	10145	SPRING, PRESSER FOOT
18	1	10144	CLAMP, SPRING - PRESSER FOOT
19	2	1-178	NUT, LOCK
20	1	10171	PULL-OFF, NEEDLE THREAD
21	7	SB103212	SCREW, SOC BTM 10-32 x 1/2
22	1	10164	EYELET, THREAD - SHORT
23	2	NH1428L	NUT
24	4	10114	SLEEVE, TENSION
25	1	10008	SPRING, TENSION - LOOPER THREAD
26	4	10120	DISC, TENSION - LARGE
27	2	10115	STUD, TENSION
28	2	11120	WASHER, LOCK
29	2	PS18114	PIN, RETAINING - TENSION DISC
30	2	10165	EYELET, THREAD - LONG
31	1	10007	SPRING, TENSION - NEEDLE THREAD
32	4	10234	WASHER, SPRING
33	4	SC516181	SCREW, SOCKET HD CAP
34	1	WF38	WASHER
35	1	H3824134	SCREW, ADJUSTING
36	1	SS142038	SCREW, SET
37	1	10002	HOUSING, LEVERS
38	1	10143	SHAFT, SPRING - PRESSER FOOT



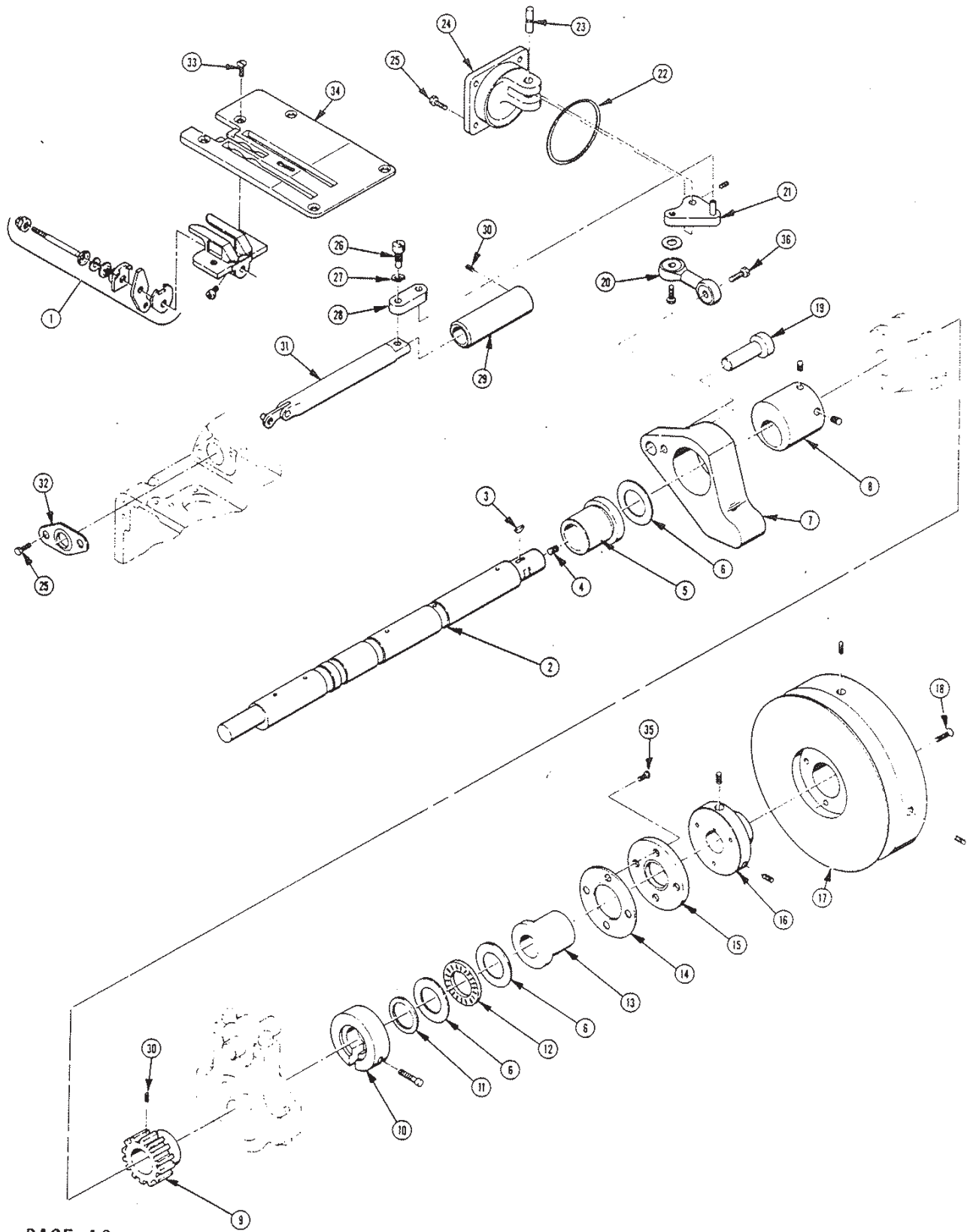
NEEDLE & PRESSER FOOT LEVER ASSEMBLIES

ITEM	QUAN.	PART NO.	DESCRIPTION
1	1	10190	PAD, SPRING - PRESSER FOOT
2	1	F63214	SCREW, FLATHD
3	1	10189	CRADLE, PAD - PRESSER FOOT SPRING
4	1	10004	LEVER, PRESSER FOOT
	2	SC14201	SCREW, SOCKET HD CAP
	2	PS14112	PIN, ROLL
5	1	10163	CLAMP, BEARING - SHEET
6	2	F103258	SCREW, FLATHD
7	1	10162	SHEET, BEARING - PRESSER FOOT LEVER GUIDE
8	1	SC63234	SCREW, SOCKET HD CAP
9	1	10213	PLUG, CLAMP - DRILLED (PRESSER FOOT)
10	1	10214	PLUG, CALMP - TAPPED (PRESSER FOOT)
11	1	H103234	SCREW, HEX HD
12	3	NH1032	NUT
13	1	10155	SHANK, PRESSER FOOT
14	1	10156	BLOCK, HINGE - PRESSER FOOT
15	1	H103258	SCREW, HEX HD
16	1	10048	RETAINER, ROD - CONNECTING
17	2	F103238	SCREW, FLATHD
18	1	10185	PRESSER FOOT
	1	10285	PRESSER FOOT, (RIP CORD)
19	1	10182	BOLT, HINGING - PRESSER FOOT
20	1	10047	ROD, CONNECTING - NEEDLE DRIVE
	1	SS142038CP	SCREW, SET - CONE POINT
	1	SS142014	SCREW, SET
21	1	10159	SPACER, STUD - BALL
22	3	T3129	WASHER, THRUST
23	2	10029	BUSHING, LEVER - PRESSER FOOT
24	2	10128	SPRING, GARTER - LEVER SEAL
25	4	F103238	SCREW, FLATHD
26	1	10137	SEAL, LEVERS
27	1	10026	SHAFT, LEVERS
28	1	10003	LEVER, NEEDLE
	2	SC1420114	SCREW, SOCKET HD CAP
29	1	10031	CHUCK, NEEDLE
30	1	C100-S	NEEDLE
31	1	10212	PLUG, CLAMP-TAPPED (NEEDLE LEVER)
32	1	10011	SCREW, CLAMP NEEDLE
33	1	10211	PLUG, CLAMP-DRILLED (NEEDLE LEVER)
34	1	10166	GUIDE, THREAD - (NEEDLE LEVER)
35	2	F54038	SCREW, FLATHD
36	2	10119	DISC, TENSION - SMALL
37	1	10009	SPRING, TENSION - (NEEDLE LEVER)
38	1	B103238	SCREW, BINDING HD
39	1	H10321	SCREW, HEX HD
40	1	10231	WASHER, HEAVY - (NEEDLE LEVER)
41	1	10232	ROD, CLAMP - (NEEDLE LEVER)
42	1	10113	STUD, TENSION - (NEEDLE LEVER)
43	2	10023	INSERTY, THREAD - LEVERS SHAFT BUSHING
44	2	SS103238	SCREW, SET (LONG)
45	2	10025	BUSHING, SHAFT LEVERS
46	2	SS1032316	SCREW, SET (SHORT)
47	1	H103238	SCREW, HEX HD
48	1	WS10	WASHER, SPRING #10



FEED ASSEMBLY

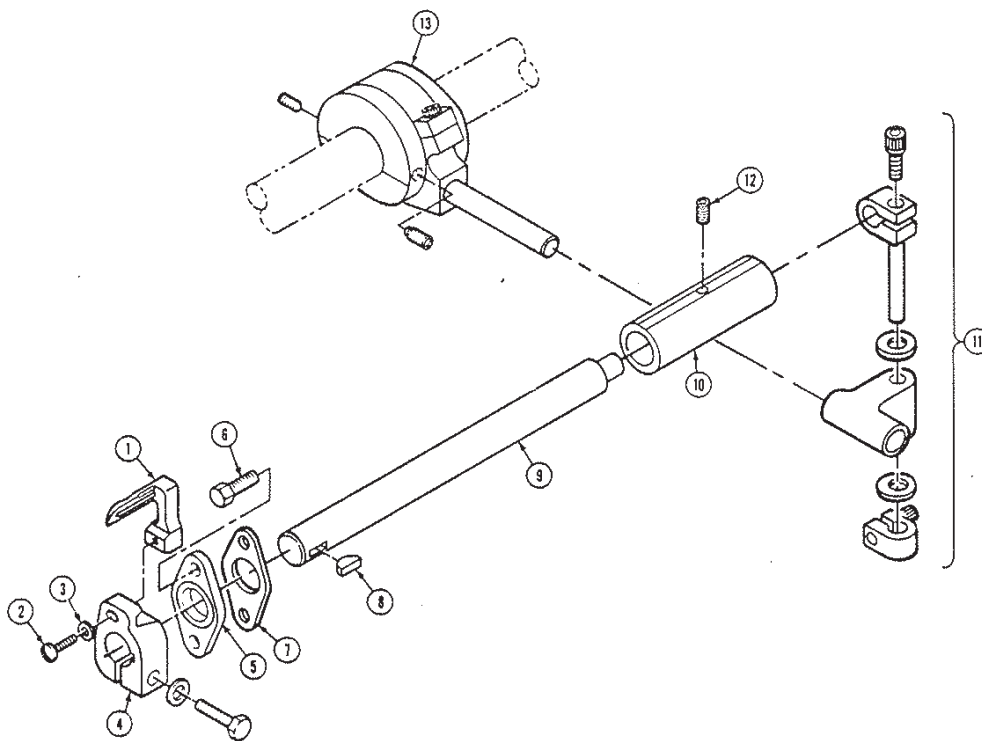
ITEM	QUAN.	PART NO.	DESCRIPTION
1	1	10078	DOG, FEED
	1	10079	DOG, FEED (LONG STITCH)
2	1	SS1032516	SCREW, SET
	1	F103238	SCREW, FLAT HD
3	3	F103212	SCREW, FLAT HD
4	1	10177	HOLDER, GUARD - NEEDLE
5	1	10077	SEAL, DOG - FEED
6	1	P540916	SCREW, PAN HD
7	1	10174	GUARD, NEEDLE
8	2	10075	RING, "O"
9	1	10074	ROD, SLIDE - FEED
10	1	10073	SLIDE, FEED
11	1	10072	ROD, CARRIER - FEED DOG
12	1	10070	CLAMP, ROD - FEED DOG CARRIER
	1	SC142078	SCREW, SOCKET HD
13	1	10069	LINK, STROKE - FEED
14	1	10071	LINK, LIFT - FEED
15	1	SC142878	SCREW, SOCKET HD CAP
16	1	10068	PIVOT, ADJUSTING - FEED STROKE
17	1	10067	NUT, PIVOT - FEED STROKE ADJUSTING
18	1	10066	LEVER, SLOTTED - FEED ROCKER
19	1	T3192	KEY
20	1	SS1032516	SCREW, SET
21	1	10109	BUSHING, SHAFT - FEED ROCKER
22	1	10063	LEVER, PIN - FEED ROCKER
	1	SC54012	SCREW, SOCKET HD CAP
	1	H103258	SCREW, HEX HD
	1	WF10	WASHER, FLAT #10
23	1	10215	WASHER, THRUST
24	1	10062	ROD, CONNECTING - PRIMARY FEED STROKE
25	1	10064	PIN, ROD - FEED STROKE CONNECTING



MAIN SHAFT & KNIFE ASSEMBLY

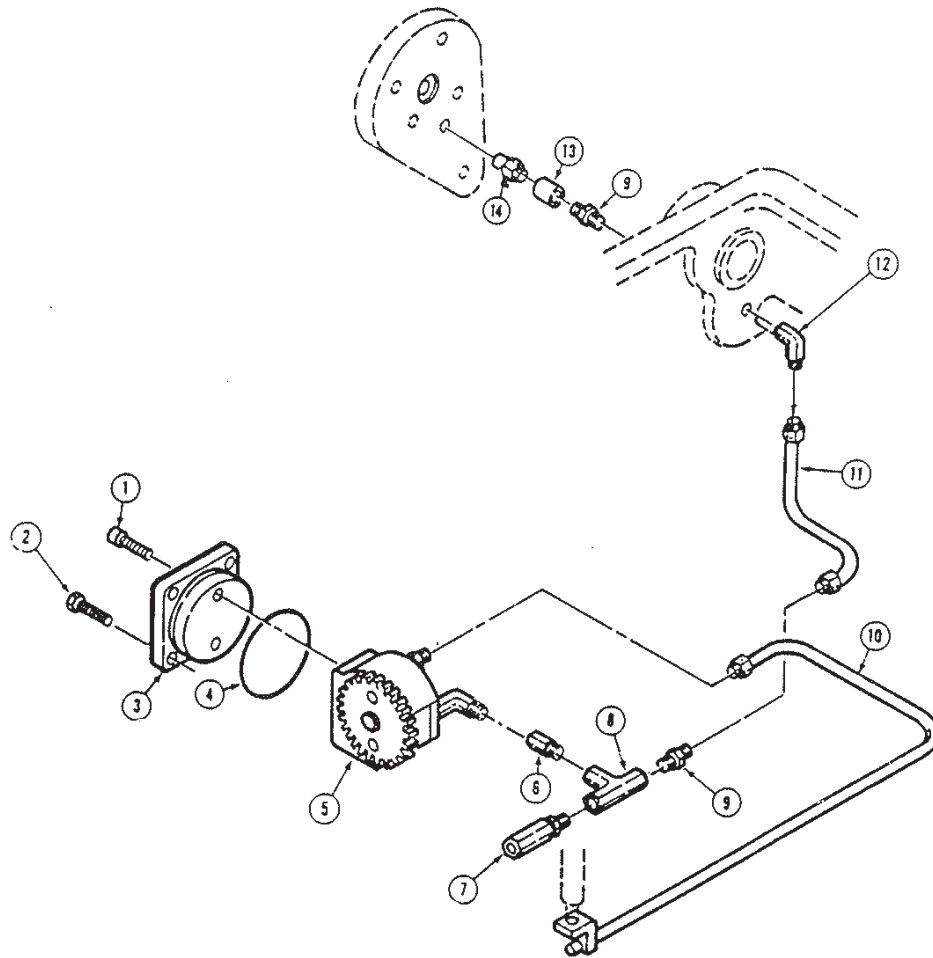
10,300

ITEM	QTY.	PART NO.	DESCRIPTION
1	1	10334	ASSY, RAMP CUTTER
	1	1-178	NUT LOCK
	2	WS10	WASHER, SPRING #10
	1	10337	WASHER, BOWED SPRING
	1	10335	STUD, PIVOT (LONG)
	1	10336	BUSHING, KNIFE THRUST
	1	10307	KNIFE, MOVING
	1	10306	KNIFE, BED
	1	SC54014	SCREW, SOC 5-40 X 1/4
	1	10304	RAMP, LONG
2	1	10045	SHAFT, MAIN
3	1	T3192	KEY
4	1	10125	PLUG, PIPE - MAIN SHAFT
5	1	15042	BUSHING, MAIN SHAFT - NEEDLE END
6	3	T-3129	WASHER, THRUST
7	1	10062	ROD, CONNECTING - PRIMARY FEED STROKE
8	1	10061	ECCENTRIC, STROKE - FEED
	1	SS142038	SCREW, SET
	1	SS142038-CP	SCREW, SET - CONE POINT
9	1	15016	GEAR, DRIVE - PUMP
10	1	15043	COLLAR, LOCK - MAIN SHAFT
	1	SC103258	SCREW SOCKET 10-32 X 5/8
11	1	15032	"O" RING
12	1	P4024	BEARING, THRUST
13	1	15041	BUSHING, MAIN SHAFT - DRIVE END
14	1	10094	GASKET, MAIN SHAFT SEAL
15	1	10035	ASSY, SEAL - MAIN SHAFT
16	1	10038	HUB, PULLEY
	2	SS142038	SCREW, SET
17	1	10199	PULLEY, ADJUSTABLE
	2	SS142038	SCREW, SET
18	3	F103258	SCREW, FLAT HD
19	1	10064	PIN, ROD - FEED STROKE CONNECTING
20	1	10080	ASSY, CONNECTING ROD - KNIFE
	1		SCREW, HEX HD
21	1	10082	CRANK, BELT - KNIFE
	1	SS540316	SCREW, SET
22	1	10084	RING, "O"
23	1	10083	SHAFT, BELL CRANK - KNIFE
24	1	10085	BRACKET, PIVOT - KNIFE
25	6	H103212	SCREW, HEX HD
26	1	10087	SCREW, PIVOT - KNIFE
27	1	11120	WASHER, LOCK
28	1	10086	LINK, KNIFE
29	1	10056	BUSHING, SHAFT - KNIFE
30	1	SS1032516	SCREW, SET
31	1	10311	ASSY, SHAFT & LINK
	1		GASKET, SEAL - KNIFE SHAFT
32	1	10076	ASSY, SEAL - KNIFE SHAFT
33	1	F103238	SCREW, FLAT HD
34	1	10303	PLATE, THROAT - RAMP CUTTER
	1	10302	PLATE, THROAT - RAMP CUTTER (LONG STITCH)
35	4	SC103212	SCREW, SOC HD CAP 10-32 X 1/2
36	1	H103258	SCREW, HEX HD



LOOPER ASSEMBLY

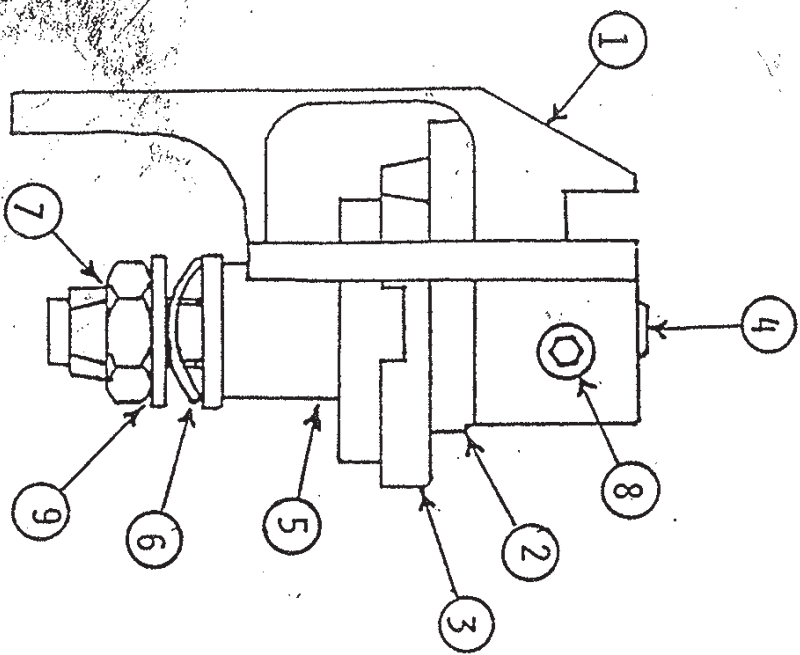
ITEM	QUAN.	PART NO.	DESCRIPTION
1	1	10060	LOOPER (TWO THREAD)
2	1	P540916	SCREW, PAN HD
3	1	WF5	WASHER #5
4	1	10059	HOLDER, LOOPER
	1	H103234	SCREW, HEX HD #10-32 x 3/4
	1	WF10	WASHER FLAT #10
5	1	10076	ASS'Y SEAL - LOOPER SHAFT
6	2	H103212	SCREW, HEX HD
7	1	10058	GASKET, LOOPER SHAFT
8	1	T3192	KEY
9	1	10055	SHAFT, LOOPER
10	1	10056	BUSHING, SHAFT - LOOPER
11	1	10173	ASS'Y, PIVOT - LOOPER
	2	15066	THRUST WASHER
	1	15065	CLAMP
12	1	SS1032516	SCREW, SET
13	1	10150	ASS'Y CAM - LOOPER
	1	SS103258CPL	SCREW, SET - CONE POINT
	1	SS103212L	SCREW, SET



OIL PUMP ASSEMBLY

Item	Quan.	Part No.	Description
1	2	SC103234	Screw, Soc. Cap 10-32 x 3/4
2	4	H103212	Screw, Hex HD #10-32 x 1/2
3	1	15015	Mount Pump
4	1	10084	Ring "O"
5	1	15003	Assembly Gear-Pump
	1	15087	Fitting, Elbow
	1	15059	Fitting, Pipe Straight
6	1	15091	Fitting, Adapter
7	1	15086	Assembly, Body-Valve-Relief
8	1	A5650	Fitting-Tee 1/8"
9	2	15059	Fitting, Pipe Straight
10	1	15050	Oil Line,
11	1	15093	Tubing, Copper
12	1	15092	Fitting, Compression Elbow
13	1	A1882	Bushing Neoprene
14	1	15088	Tubing, Copper

10334



ITEM	QUAN	PART NO.	DESCRIPTION
9	2	WS10	WASHER, SPRING - #10
8	1	SC54014	SCREW, SOC. CAP. #5-40 N.C. X 1/4
7	1	1-178	NUT, LOCK - #10-32 N.F.
6	1	10337	WASHER, BOWER SPRING
5	1	10336	BUSHING, KNIFE - THRUST
4	1	10335	STUD, PIVOT - LONG
3	1	10307	KNIFE, MOVING
2	1	10306	KNIFE, BED
1	1	10304	RAMP, LONG

DAVE FISCHBEIN MFG. CO.
 2700-30TH AVE. SO. MINNEAPOLIS, MINN. 55406

NAME ASSY., RAMP CUTTER - MODIFIED
 MATERIAL B.O.M.
 TOLERANCE UNLESS SPECIFIED FINISH