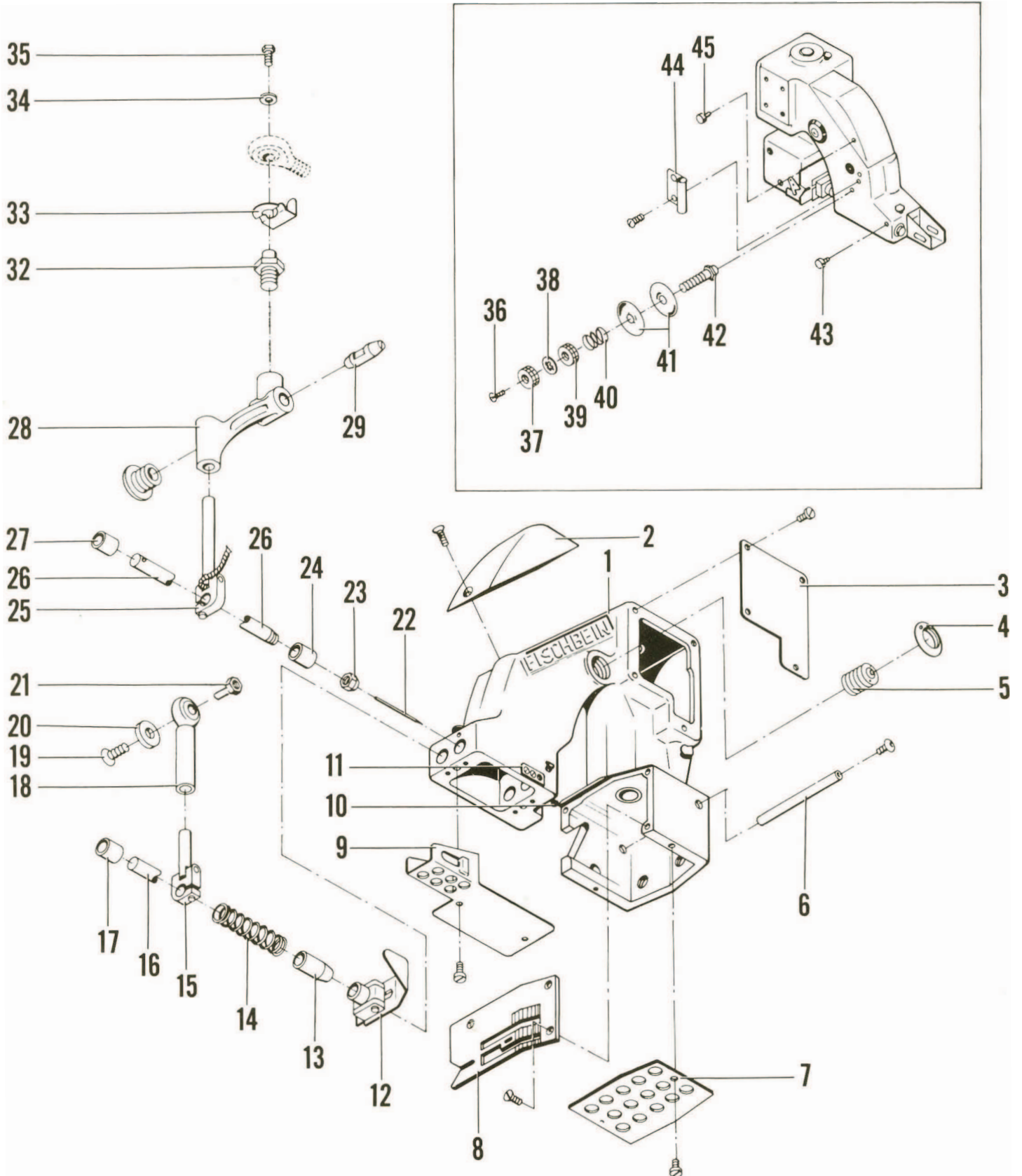


# PLATE A

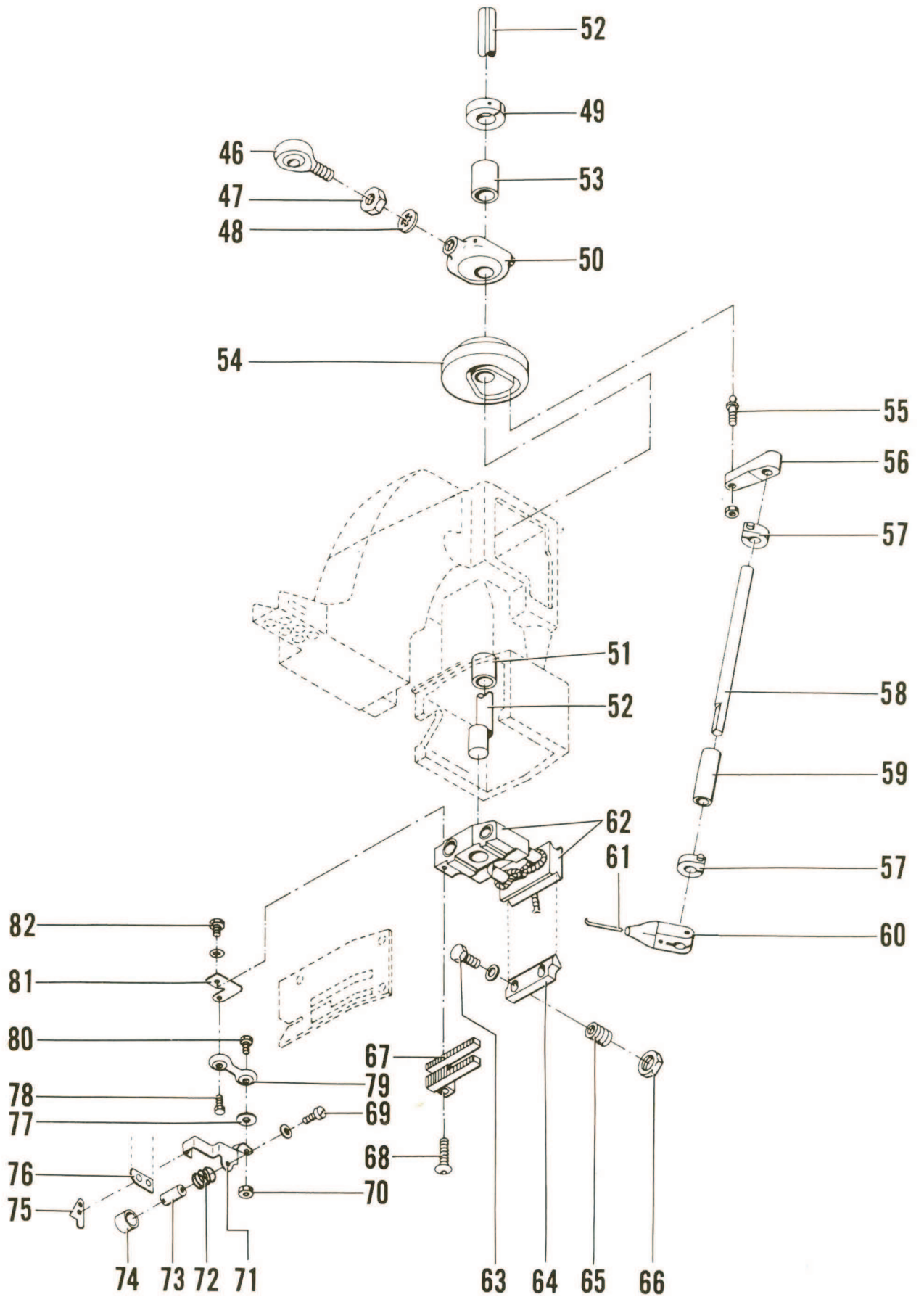


## REFERENCE PLATE A

ORDER BY PART NUMBER

INDEX NO.	PART NO.	DESCRIPTION	QUANTITY
1	D100	Housing, Complete with Bushings	1
	DH100	Housing, Complete with Bushings, Model DH	1
	DB100	Housing, Complete with Bushings, Model DB	1
	SS832316	Screw, for all Bushings	8
	D121	Oiler	5
2	D119	Cover, Top	1
	0632516	Screw, Attaching, for D119	2
3	D103	Cover, Side Nameplate	1
	DB103	Cover, Side Nameplate, for Model DB	1
	B83214S	Screw, Attaching, for D103 and DB103	4
4	D513	Lock Ring	2
5	D512	Bearing, Cone	2
6	D214	Stud, Feed Dog Carrier Slide	1
	SB103214	Screw, Attaching, for D214	2
7	D102	Cover, Looper	1
	D108	Screw, Attaching, for D102	1
8	D210	Throat Plate	1
	D210T	Throat Plate, Tape Binding	1
	F64038	Screw, Attaching, for D210 and D210T	3
9	D101	Guard, Needle Bar	1
	B832316	Screw, Attaching, for D101	3
10	D110	Tube, Thread Guide, Front	1
	SS54018	Screw, Set, for D110	1
11	D111	Plate, Thread Guide	1
	F348316	Screw, Attaching for D111	2
12	D400	Presser Foot, Complete	1
	D400T	Presser Foot, Complete, Tape Binding	1
	SS832316FP	Screw, set, for D400 and D400T	2
	D402	Bolt, Hinging, for D400 and D400T	1
	D403	Nut, for D402	1
13	D413	Bushing, Presser Bar, Lower	1
14	D414	Spring, Presser Bar	1
15	D405	Clamp, Presser Bar, Complete	1
	SC54012	Screw, Clamping, for D405	1
16	D404	Presser Bar	1
17	D412	Bushing, Presser Bar, Upper	1
18	D407	Lifter Lever, Complete	1
19	T83212	Screw, Attaching, for D407	1
20	D410	Washer, Felt	1
21	D417	Locknut	1
22	D5	Needle	1
23	D501	Locknut, Needle	1
24	D504	Bushing, Needle Bar, Lower	1
25	D502	Clamp, Needle Bar, Complete	1
	SC54012	Screw, Clamping, for D502	1
26	D500	Needle Bar	1
27	D503	Bushing, Needle Bar, Upper	1
28	D505	Lever, Needle Bar	1
	SS83238	Screw, for D505	2
29	D511	Stud, Needle Bar Lever	1
32	D507	Stud, Connecting Rod End	1
33	D510	Spring	1
34	D208	Washer, for H103212	1
35	H103212	Bolt, Retaining, for D607	1
36	F64038	Screw, Tension Nut Retaining	1
37	D116	Nut, Tension, Upper	1
38	D120	Lockwasher	1
39	D117	Nut, Tension, Lower	1
40	D115	Spring, Tension	1
41	D114	Disc, Tension	2
42	D113	Stud, Tension	1
43	D109	Eyelet	1
44	D118	Tube, Thread Guide, Rear	1
	B632316	Screw, Attaching, for D118	2
45	D109	Eyelet	1
46	D607	Bearing, Rod End	1
47	D608	Locknut, for D607	1

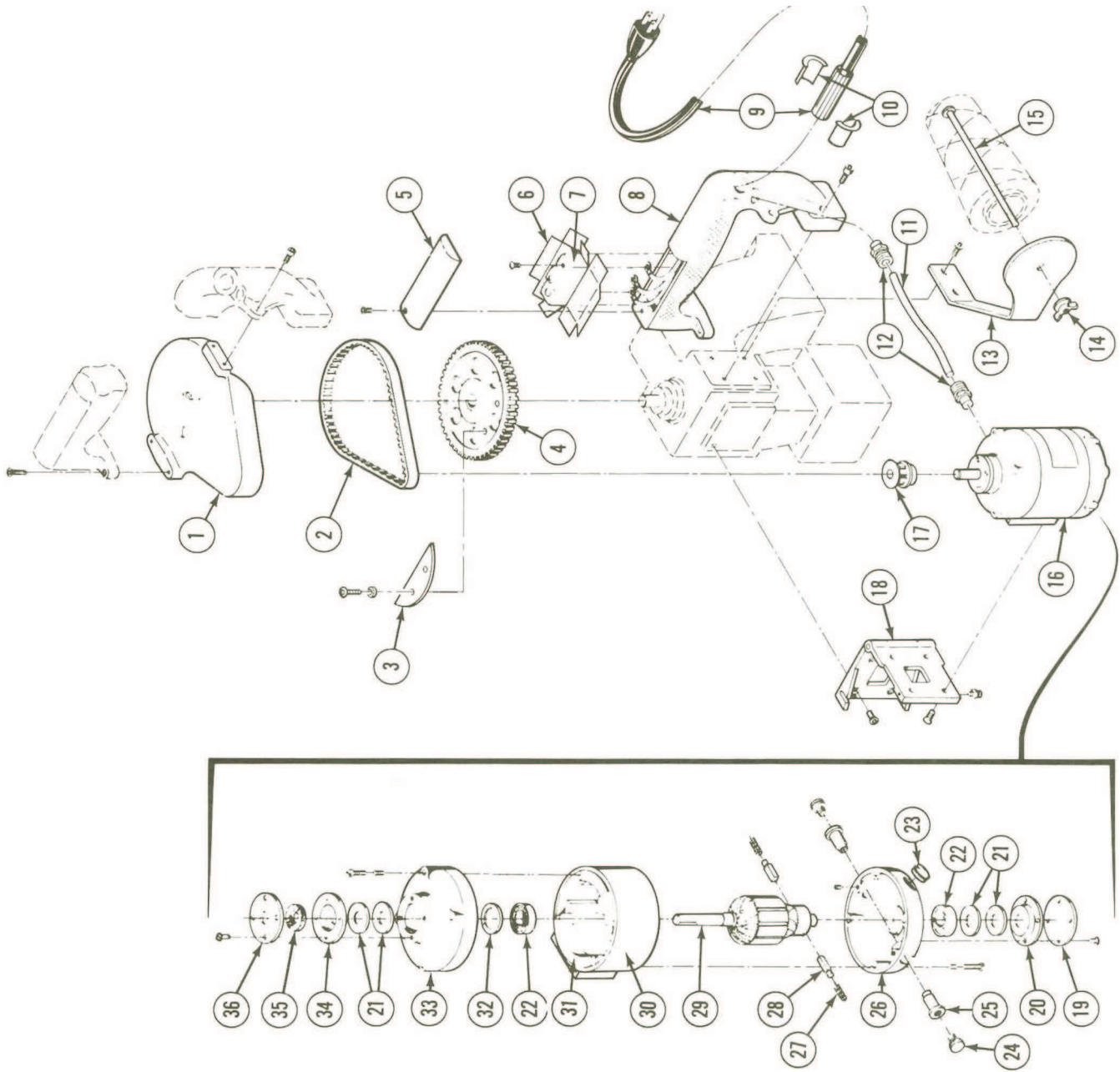
# PLATE B



## REFERENCE PLATE B

ORDER BY PART NUMBER

INDEX NO.	PART NO.	DESCRIPTION	QUANTITY
48	D609	Lockwasher	1
49	D603	Collar, Retaining, for D600	1
	SC54038	Screw, Clamping, for D603	1
50	D605	Connecting Rod and Eccentric, Complete	1
	D606	Screw, Cone Point, for D605	1
	SS1032316	Screw, Set, for D605	1
51	D602	Bushing, Main Shaft, Front	1
	DB602	Bushing, Main Shaft, Front, Model DB Only	1
52	D600	Main Shaft	1
53	D601	Bushing, Main Shaft, Rear	1
	DB601	Bushing, Main Shaft, Rear, Model DB Only	1
54	D310	Cam, Looper, Complete	1
	D311	Screw, Cone Point, for D310	1
	SS103212	Screw, Set, for D310	1
55	D308	Stud, Cam Follower (order complete with D307)	1
	D309	Locknut, for D308	1
56	D307	Arm, Cam Follower (order complete with D308)	1
	SC54058	Screw, for D307	1
	D313	Washer	1
57	D304	Collar, Looper Shaft	2
	SC54012	Screw, Clamping, for D304	1
58	D303-1	Shaft, Looper	1
59	D306	Bushing, for D303-1	1
60	D301-1	Holder, Looper	1
	SS832316FP	Screw, Looper Set	1
	SC54038	Screw, Clamping, for D301-1	1
61	D300	Looper	1
62	D200	Feed Dog Carrier Block and Slide, Complete	1
	HD64038	Screw, Feed Dog Adjusting	4
63	H103212	Lock Bolt	2
	D208	Washer, for H103212	2
64	D205	Slide Block, Adjusting	1
65	D206	Stud, Slide Block Adjusting Support	2
66	D209	Locknut, for D206	2
67	D203	Feed Dog	1
68	SC8321	Screw, Attaching, for D203	1
	WF 85	Washer for SC8321	1
69	H1032516	Bolt, Knife Bracket	1
	D714	Lockwasher, for H1032516	1
70	D711	Locknut	1
71	D700	Bracket, Knife	1
72	D704	Spring, Knife Tension	1
73	D707	Shaft	1
74	D708	Bushing, for D707	1
	D708-1	Bushing, for D707, Model DB Only	1
75	D702	Knife, Moving	1
	F348316	Screw, Attaching, for D702	2
76	D703	Knife, Stationary	1
	F348516	Screw, Attaching, for D703	2
77	D715	Washer	1
78	SC54038	Screw, for D709, Upper	1
79	D709	Bearing, Double Rod End	1
80	D710	Bolt, for D709, Lower	1
81	D712	Extension, Knife Bracket Support	1
82	H832516	Bolt, Attaching, for D712	1
	D716	Lockwasher, for H832516	1



**FISCHBEIN PORTABLE BAG CLOSER - MODEL D  
HANDLE AND ELECTRIC DRIVE**

# PARTS LIST

ORDER BY PART NUMBER

ORDER BY PART NUMBER

INDEX NO.	PART NO.	DESCRIPTION	QUAN-TITY
1	D105-1	GUARD, BELT	1
	D105-12	GUARD, BELT - 12 VOLT MODEL ONLY	1
2	R83258	SCREW, ATTACHING - FOR D105	4
	D909	BELT	1
3	D909-12	BELT - 12 VOLT MODEL ONLY	1
	D938	COUNTERWEIGHT	1
	W58	WASHER, LOCK	2
4	S883238	SCREW, SOCKET BUTTON	2
	D904	PULLEY, MACHINE	1
5	SS1032516	SCREW, FOR D904	2
	D802	COVER, SWITCH	1
6	063212	SCREW, ATTACHING - FOR D802	2
	D807	INSULATION	1
7	D807DC	INSULATION FOR D806DC	1
	D806	SWITCH	1
	D806DC	SWITCH - DIRECT CURRENT ONLY	1
8	D814	SCREW, SWITCH TERMINAL GROUND	3
	D800	HANDLE - COMPLETE WITH COVER	1
	D800DC	HANDLE - COMPLETE W/COVER FOR USE w/D806DC	1
9	SC142034	SCREW, ATTACHING - FOR D800 AND D800DC	2
	D808	CORD SET	1
10	D808-12	CORD SET - 12 VOLT MODEL ONLY	1
	D809	CLAMP FOR D808	2
	SS832316	SCREW FOR D809	1
11	D939	MOTOR LEAD - 3 WIRE SJO	1
12	P3481	GRIP, CORD	2
13	D815	THREAD STAND	1
	SF103238	SCREW, ATTACHING - FOR D815	1
14	D805	WING NUT	2
15	D804	BOLT, THREAD CLAMPING	1
16	D950	MOTOR - 115 VOLT	1
	D951	MOTOR - 230 VOLT	1
	D952	MOTOR - 12 VOLT DC	1
17	SF103238	SCREW, ATTACHING - FOR ALL MOTORS	4
	D902	PULLEY, MOTOR	1
	D902-12	PULLEY, MOTOR - 12 VOLT MODEL ONLY	1
	SS832316	SCREW - FOR D902	2
	SS836316	SCREW - FOR D902-12	2
	D907-12	SPACER - FOR 12 VOLT MODEL ONLY	4
	SF103258	SCREW, FOR D907-12	4

INDEX NO.	PART NO.	DESCRIPTION	QUAN-TITY
18	D906	HINGED, MOTOR MOUNT	1
	D908	SCREW, SEMS LOCKING - FOR D906	2
	SF103238	SCREW, ATTACHING FOR D906	4
19	D927	PLATE, BALL BEARING (CLOSED)	1
	D918	SCREW, BALL BEARING PLATE ATTACHING	4
20	D953	WASHER, FELT RETAINING (CLOSED END)	1
21	D954	WASHER, SPACING	AS REQ'D
22	D955	BALL BEARING	2
	D956	BALL BEARING - FOR 12 VOLT MODEL ONLY	2
23	914-1	PLUG, INSPECTION HOLE	1
24	D917	SCREW, BRUSH - HOLDER CAP	2
25	D924-1	BRUSH - HOLDER	2
	D924-12-1	BRUSH - HOLDER - FOR 12 VOLT MODEL ONLY	2
	D930	SCREW, BRUSH - HOLDER SET	2
26	D957	END BELL, BRUSH END	1
	D958	END BELL, BRUSH END - FOR 12 VOLT MODEL ONLY	1
	D919	SCREW, ATTACHING - END BELL	4
27	D916	SPRING, BRUSH	4
28	D915	BRUSH	2
	D915-12	BRUSH WITH SPRING - FOR 12 VOLT MODEL ONLY	2
29	D959	ARMATURE, COMPLETE - 115 VOLT	1
	D960	ARMATURE, COMPLETE - 230 VOLT	1
	D961	ARMATURE, COMPLETE - 12 VOLT	1
30	D925	RING AND FIELD ASSEMBLY COMPLETE - 115 VOLT	1
	D926	RING AND FIELD ASSEMBLY COMPLETE - 230 VOLT	1
	D925-12	RING AND FIELD ASSEMBLY COMPLETE - 12 VOLT	1
31	D922	FIELD - 115 VOLT	2
	D923	FIELD - 230 VOLT	2
	D922-12	FIELD - 12 VOLT	2
32	D962	WASHER, BALL BEARING SPRING	1
33	D963	END BELL, SHAFT END	1
	D919	SCREW, ATTACHING - END BELL	4
34	D964	WASHER, FELT RETAINING (OPEN END)	1
35	D965	WASHER, FELT	1
36	D966	PLATE, BALL BEARING (OPEN)	1
	D918	SCREW, ATTACHING - FOR D966	4