

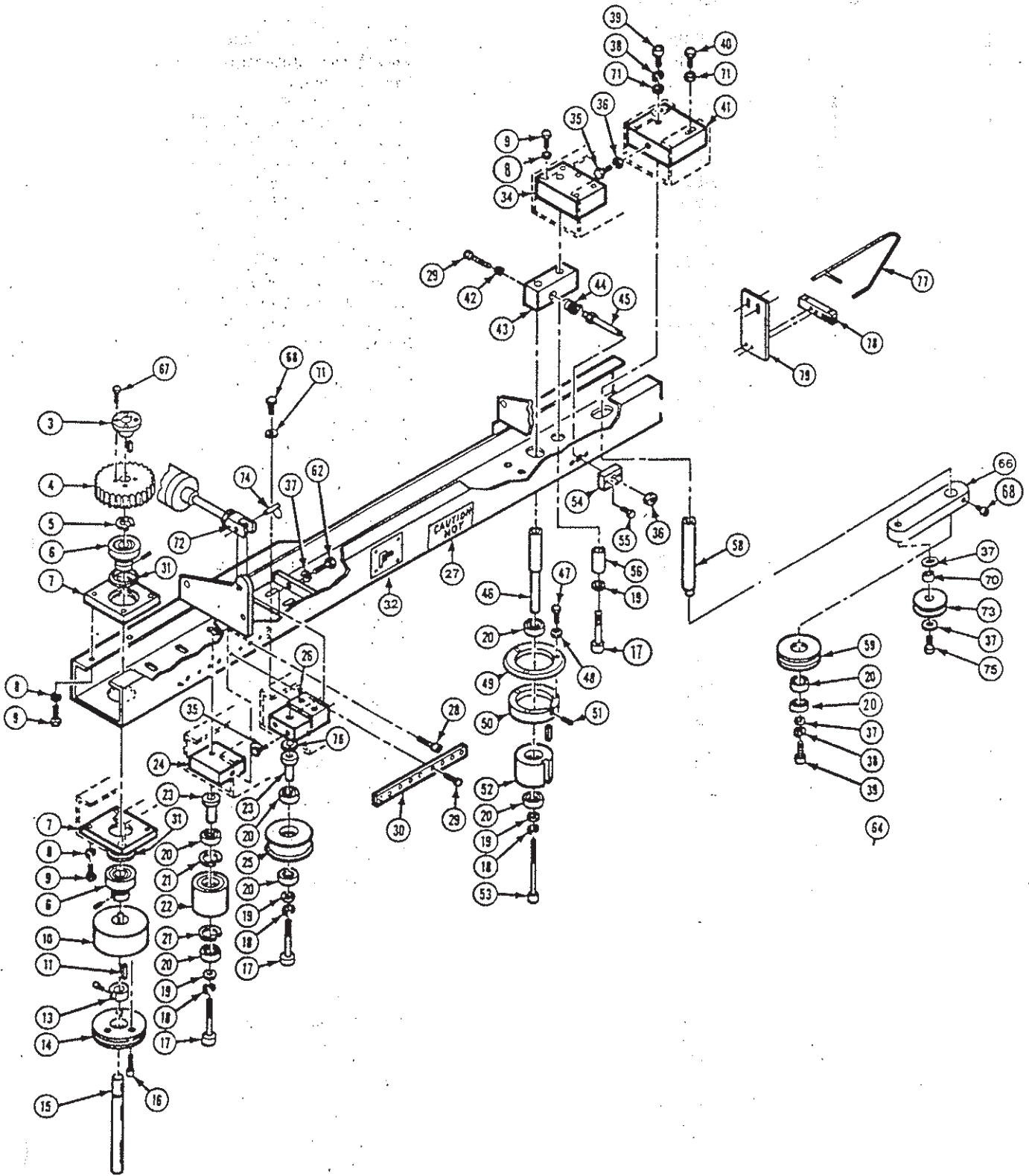


**PLATE A  
OVERARM ASSEMBLY**

ITEM	QTY.	PART NO.	DESCRIPTION
2	1	A5085	Clamp, Gear (Split Taper)
3	1	A5084	Gear, Drive
4	1	A5086	Ring, Snap - External
5	2	A5087	Bearing, Spherical
6	2	A5088	Mount, Bearing - Drive Shaft
7	2	A5062	Bearing, Spherical (Mount)
8	12	H5161834	Screw, Hex Hd. - 5/16-18 x 3/4
9	2	A6094	Key 3/16 Sq. x 1-3/4
10	1	A5640	Sprocket, #40 7/8 ID - 24 T
	1	A5639	Sprocket, #40 7/8 ID - 21 T
	1	A5638	Sprocket, #40 7/8 ID - 18 T
	1	A5637	Sprocket, #40 7/8 ID - 16 T
	1	A5090	Sprocket, #40 7/8 ID - 14 T
11	1	A5618	Pulley, Drive-Compression Belt
12	1	A5095	Clamp, Pulley-Carrier Drive
13	1	A5094	Pulley, Drive-Carrier Belt
14	3	SC51618112	Screw, Socket Cap - 5/16-18 x 1-1/2
15	1	A5083	Shaft, Drive
16	1	A5089	Block Fixed - Compression
17	4	A5073	Bushing, Roller-Compression
18	A/R	A5054	Bearing, Ball
19	3	A5078	Assy, Roller - W/Bearings & Rubber
20	4	WF12	Washer, Flat - 1/2
21	4	WL12	Washer, Lock - 1/2
23	1	A5622	Block, Takeup - Compression Belt
24	9	WS38	Washer, Spring - 3/8
25	1	H3816212	Screw, Hex HD - 3/8-16 x 2-1/2
26	1	A5619	Roller, Takeup - W/Bearings
27	4	SC1213312	Screw, Socket Cap - 1/2-13 x 3-1/2
28	4	SC38161	Screw, Socket Cap - 38-16 x 1
29	4	WL38	Washer, Lock 3/8
30	1	A5049	Block, Pulley Fixed Channel
31	1	A5066	Shaft, Creaser Roller
32	1	A5067	Wheel, Creaser Roller
33	2	SS142038	Screw, Socket Set - 1/4-20 x 3/8
34	1	A5064	Wheel, Creaser - W/Bearings
35	1	A5065	Pulley, Creaser Wheel
36	3	SC1420114	Screw, Socket Cap - 1/4-20 x 1-1/4
37	2	H381634	Screw, Hex Hd. - 3/8 - 16 x 3/4
38	1	A5046	Block, Pulley Fixed Channel
39	1	NJ1213	Nut, Jam - 1/2-13
40	3	H1213214	Screw, Hex hd. - 1/2-13 x 2-1/4
41	1	A5452	Shaft, Lead Pulley
42	1	A5454	Assy, Pulley - W/Bearings
35	4	WL14	Washer, Lock - 1/4
50*	1	N/A	1/4 x 1/4 x 1-1/2 Key
51	12	WS516	Washer, Spring 5/16
52	3	H38161	Screw, Hex Hd. - 3/8 - 16 x 1
54	1	A5623	Spacer
55	1	A5686	Arm, Pulley
56	1	A5687	Pulley, Nylon - Tension
57	1	A5688	Spacer, Pulley
58	1	SC3816112	Screw, Socket Cap - 3/8 - 16 x 1-1/2

\* Make from 1/4 inch square key stock.

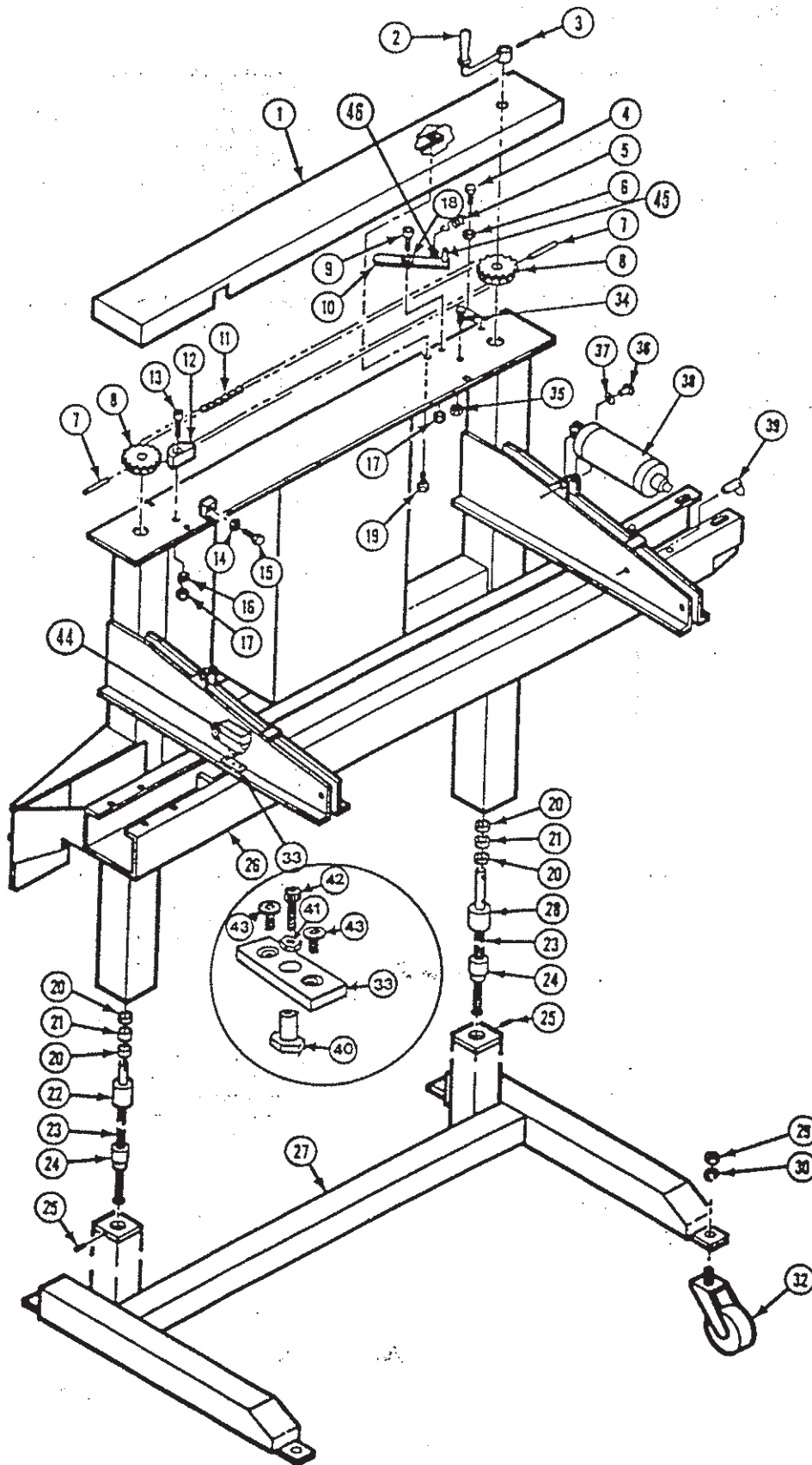
# PLATE B



## PLATE B FRONT CHANNEL

ITEM	QTY.	PART. NO.	DESCRIPTION
3	1	A5085	Busing, Taper - Split
4	1	A5084	Gear, Drive
5	1	A5086	Ring, Snap-External
6	2	A5087	Bearing, Spherical
7	2	A5088	Mount, Bearing
8	12	WS516	Washer, Spring - 5/16
9	12	H5161834	Screw, Hex Hd. - 5/16-18 x 3/4
10	1	A5618	Pulley, Drive - Comp Belt
13	1	A5095	Clamp, Pulley
14	1	A5094	Pulley, Drive - Carrier Drive
15	1	A5083	Shaft, Drive
16	3	SC51618112	Screw, Socket Cap - 5/16-18 x 1-1/2
17	5	SC1213312	Screw, Socket Cap - 1/2-13 x 3-1/2
18	5	WL12	Washer, Lock - 1/2
19	7	WF12	Washer, Flat 1/2
20	A/R	A5054	Ball Bearing
21	7	A5055	Ring, Snap
22	3	A5080	Assy, Roller - W/Bearings
23	3	A5073	Busing, Roller
24	3	A5076	Block, Roller - Compression
25	1	A5619	Roller, Takeup - Compression
26	1	A5622	Block, Takeup - Compression Belt
27	A/R	A5668	Label Warning
28	3	SC51618212	Screw, Socket Cap - 5/16-18 x 2-1/2
29	7	H14201	Screw, Hex Hd. - 1/4-20 x 1
30	1	A5081	Plate, Compression - Adjusting
31	2	A5062	Bearing, Spherical (Mount)
32	1	A5667	Name Plate
34	1	A5048	Block, Pulley
35	3	H1213214	Screw, Hex Hd. - 1/2-13 x 2-1/4
36	2	NJ1213	Nut, Jam - 1/2-13
37	3	WF38	Washer, Flat - 3/8
38	1	WL38	Washer, Lock - 3/8
39	1	SC38161	Screw, Socket Cap - 3/8-16 x 1
40	2	H381634	Screw, Hex Hd. - 3/8-16 x 3/4
41	1	A5045	Block, Pulley
42	1	NJ1420	Nut, Jam - 1/4-20
43	1	A5057	Block, Creaser - Pivot
44	1	A5071	Spring, Tension - Creaser
45	1	A5070	Screw, Tension - Creaser
46	1	A5059	Bushing, Pulley - Creaser
47	3	H103212	Screw, Hex Hd. - # 10-32 x 1/2
48	3	WT10	Washer, Internal Tooth - #10
49	1	A5060	Blade, Creaser
50	1	A5061	Wheel, Creaser
51	3	SS142038	Screw, Socket Set - 1/4-20 x 3/8
52	1	A5068	Hub, Wheel-Creaser
53	1	SC1213512	Screw, Socket Cap - 1/2-13 x 5-1/2
54	1	A5069	Block, Tension - Creaser
55	6	SC142012	Screw, Socket Cap - 1/4-20 x 1/2
56	1	A5058	Bushing, Pivot - Creaser Blade
58	1	A5452	Shaft, Lead Pulley
59	1	A5454	Assy, Pulley - W/Bearings
62	1	H3816212	Screw, Hex Hd. - 3/8-16 x 2-1/2
66	1	A5686	Arm, Pulley
68	3	H38161	Screw, Hex 3/8 - 16 x 1
70	1	A5688	Spacer, Pulley
71	4	WS38	Washer, Spring-3/8
72	2	A5614	Clevis
73	1	A5687	Pulley, Nylon - Tension
74	2	A5617	Pin, Quick Release 3/8
76	1	A5623	Spacer
77	1	A5286	Bag Rail
78	1	A5287	Block, Bag Rail
	1	SS142038	Screw, Soc. Set 1/4-20 x 3/8
	1	H14201	Screw, Hex Hd. 1/4 x 20 x 1
	2	SC142058	Screw, Soc. Cap 1/4 x 20 x 5/8
79	1	A5288	Base, Bag Rail
	2	H516181	Screw, Hex Hd. 5/16 - 18 x 1
	2	WF 516	Washer, Flat - 5/16

# PLATE C

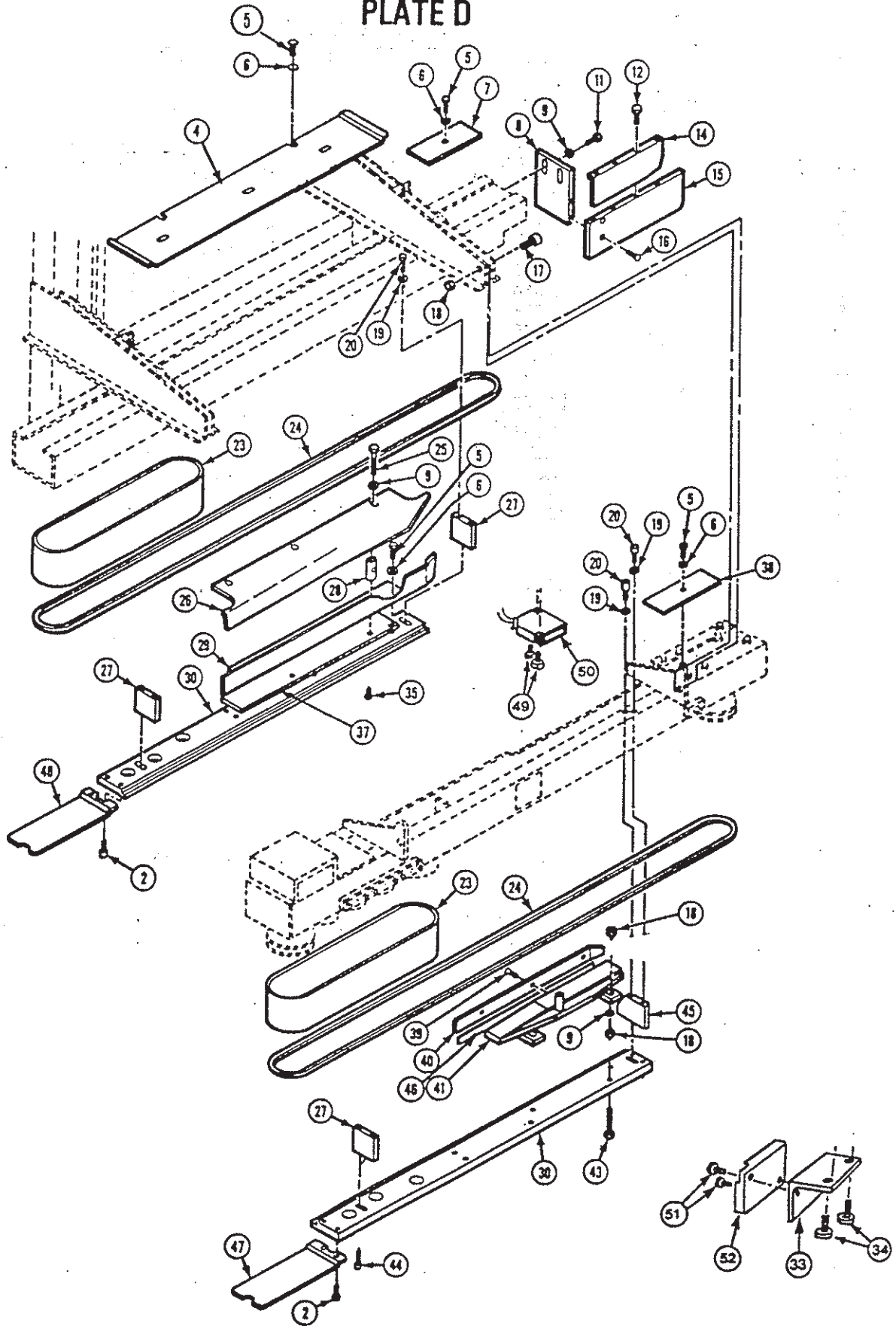


**PLATE C  
ELEVATING SYSTEM ASSEMBLY**

ITEM	QTY.	PART NO.	DESCRIPTION
1	1	A5149	Guard, Chain - Elevating
2	1	A4022	Crank
3	1	PS316118	Pin, Spring - 3/16 DIA x 1 - 1/8
4	1	H103234	Screw, Hex Hd. - #10 - 32 x 3/4
5	1	A1705	Spring, Extension
6	1	NH1032	Nut, Hex #10 - 32
7	2	PS142	Pin, Spring, 1/4 DIA x 2
8	2	A4014	Sprocket, #40 3/4 ID - 19 T
9	1	A5229	Bolt, Shoulder 5/16 x 1/2
10	1	A5226	Lever Brake
11*	A/R	N/A	Chain, #40-1/2 P Single Strand - 81-1/2"
12	1	A5136	Tensioner, Chain
13	1	A5142	Screw, Shoulder
14	1	NJ3816	Nut, Jam - 3/8-16
15	1	H38162	Screw, Hex - 3/8-16 x 2
16	1	WL516	Washer, Lock - 5/16
17	1	NJ51618	Nut, Jam - 5/16-18
18	1	11442	Bushing
19	4	A5148	Screw, Thd Cut 10-32 x 5/8
20	4	T3129	Washer, Thrust
21	2	P4024	Bearing, Thrust
22	1	A5141	Cap, Driven - Jack Screw
23	2	A5135	Screw, Ball
24	2	A5134	Nut, Ball Screw
25	2	SS142012	Screw, Soc Set - 1/4-20 x 1/2
28	1	A5138	Cap, Drive - Jack Screw
29	4	NJ3410	Nut, Hex - 3/4-10
30	4	WL34	Washer, Lock - 3/4
32	4	A6180	Caster
33	1	A5679	Plate, Adjusting
34	1	H14201	Screw, Hex 1/4-20 x 1
35	1	NH1420	Nut, Hex 1/4-20
36	2	A5648	Pin, Clevis
37	2	A5649	Washer, Retainer
38	2	A5615	Cylinder
39	1	A5616	Pin, Quick Release 7/16
40	1	11417	Stud, Internal Thread
41	1	NH832	Nut, Hex #8-32
42	1	SC83212	Screw, Soc. Cap #8-32 x 1/2
43	2	SF103238	Screw, Soc. Flat #10-32 x 3/8
44	1	A5657	Switch, Limit
45	1	PD516114	Pin, Dowel 5/16 x 1 1/4
46	1	A1708	Screw, Anchor

\* Purchase Chain From Local Supplier

# PLATE D





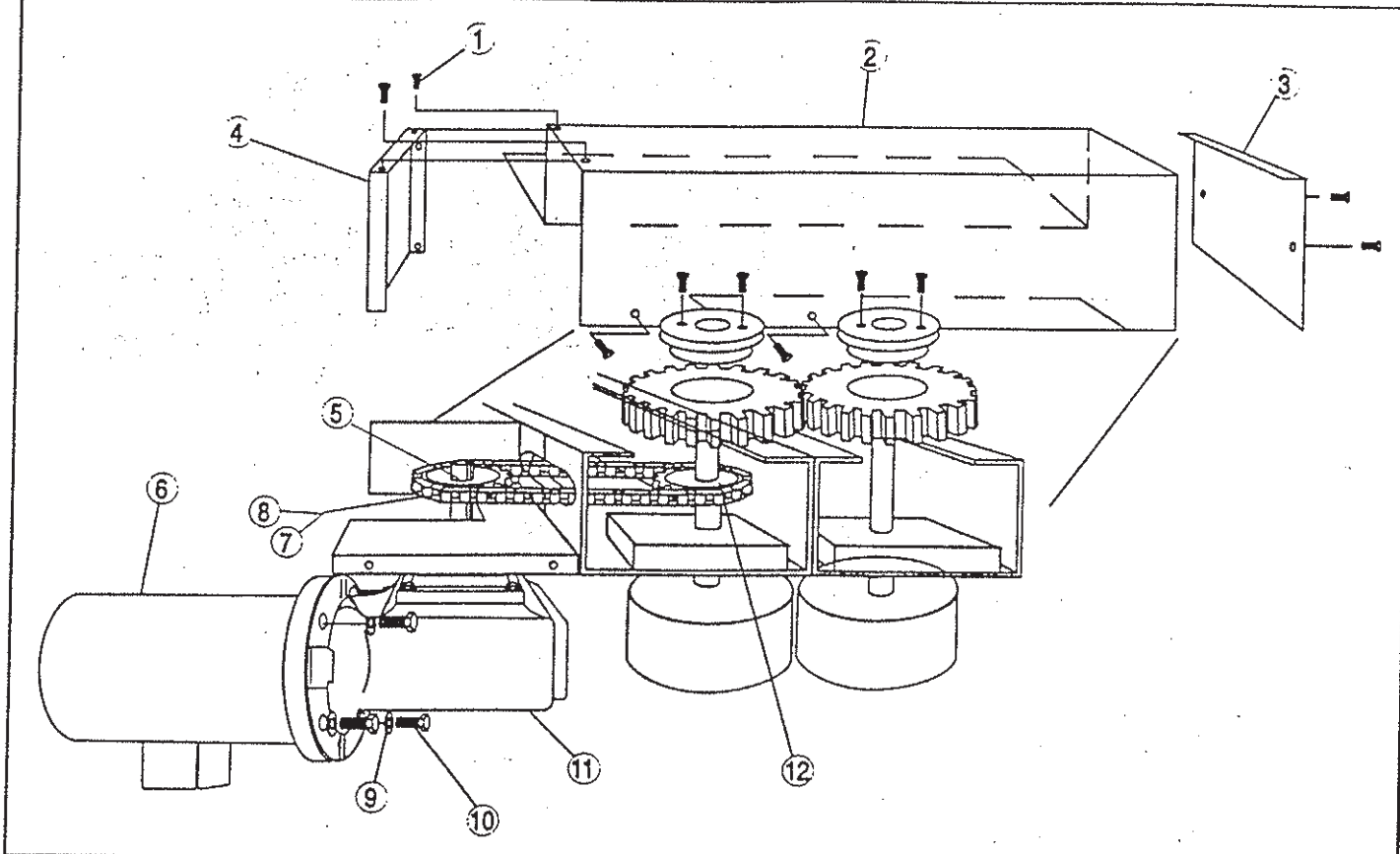
**PLATE D  
BELTS & GUARDS**

ITEM	QTY.	PART NO.	DESCRIPTION
2	8	SB142012	Screw, Soc. BTN 1/4-20 x 1/2
4	1	17634	Cover, Carrier Frame
5	10	H142012	Screw, Hex Hd. - 1/4 - 20 x 1/2
6	7	WF14	Washer, Flat - 1/4
7	1	A5091	Cover, End-Fixer Carrier
8	1	A5188	Base, Bag Guide
9	7	WF516	Washer, Flat - 5/16
11	2	H516181	Screw, Hex Hd. 5/16 - 18 x 1
12	3	B103212	Screw, BND HD. #10-32 x 1/2
14	1	A5186	Guide, Bag Inspection
15	1	A5187	Spine, Bag Guide
16	2	SF103234	Screw, Soc. Flat #10-32 x 3/4
17	2	A6288	Bolt Shoulder - 3/8 x 3/4
18	6	NJ51618	Nut, Jam - 5/16 - 18
19	8	WL14	Washer, Lock - 1/4
20	8	H142058	Screw, Hex - 1/4 - 20 x 5/8
23	2	A5620	Belt, Compression - Flat
24	2	A5132	Belt, Carrier
25	3	H5161812	Screw, Hex Hd. - 5/16-18 x 1/2
26	1	A5121	Plate, Upper - Folder
27	3	A5103	Support, Guide Bar
28	3	A5119	Standoff
29	1	A5118	Plate, Lower-Folder
30	2	A5101	Bar, Guide - Carrier Belt
33	1	18021	Bracket, Reflector
34	2	SC63212	Screw, Socket Cap - #6 - 32 x 1/2
35	3	H51618114	Screw, Hex Hd. - 5/16-18 x 1-1/4
37	1	A5633	Shim
38	1	A5096	Cover, End - Right (Swing Carrier)
39	3	SF103212	Screw, Socket-Flat #10-32 x 1/2
40	1	A5108	Guide Rail, Heat Chamber
41	1	A5699	Weldment, Heat Chamber
43	2	H516182	Screw, Hex Hd. 5/16-18 x 2
44	4	SC51618114	Screw, Socket Cap - 5/16-18 x 1-1/4
45	1	A5641	Support, Guide Bar
46	3	A5107	Insulation, Heat Chamber
47	1	A5247	Cover Pulley, Left Fixed
48	1	A5246	Cover Pulley, Left Swing
49	2	SC63234	Screw, Soc. Cap #6-32 x 3/4
50	1	17016	Switch, Photo W/Reflector
51	2	B63214	Screw, BTN Head # 6-32 x 1/4
52	1	17017	Reflector, P. Switch



**This Page Intentionally  
Left Blank**

**PLATE E  
DC MOTOR DRIVE ASSEMBLY**

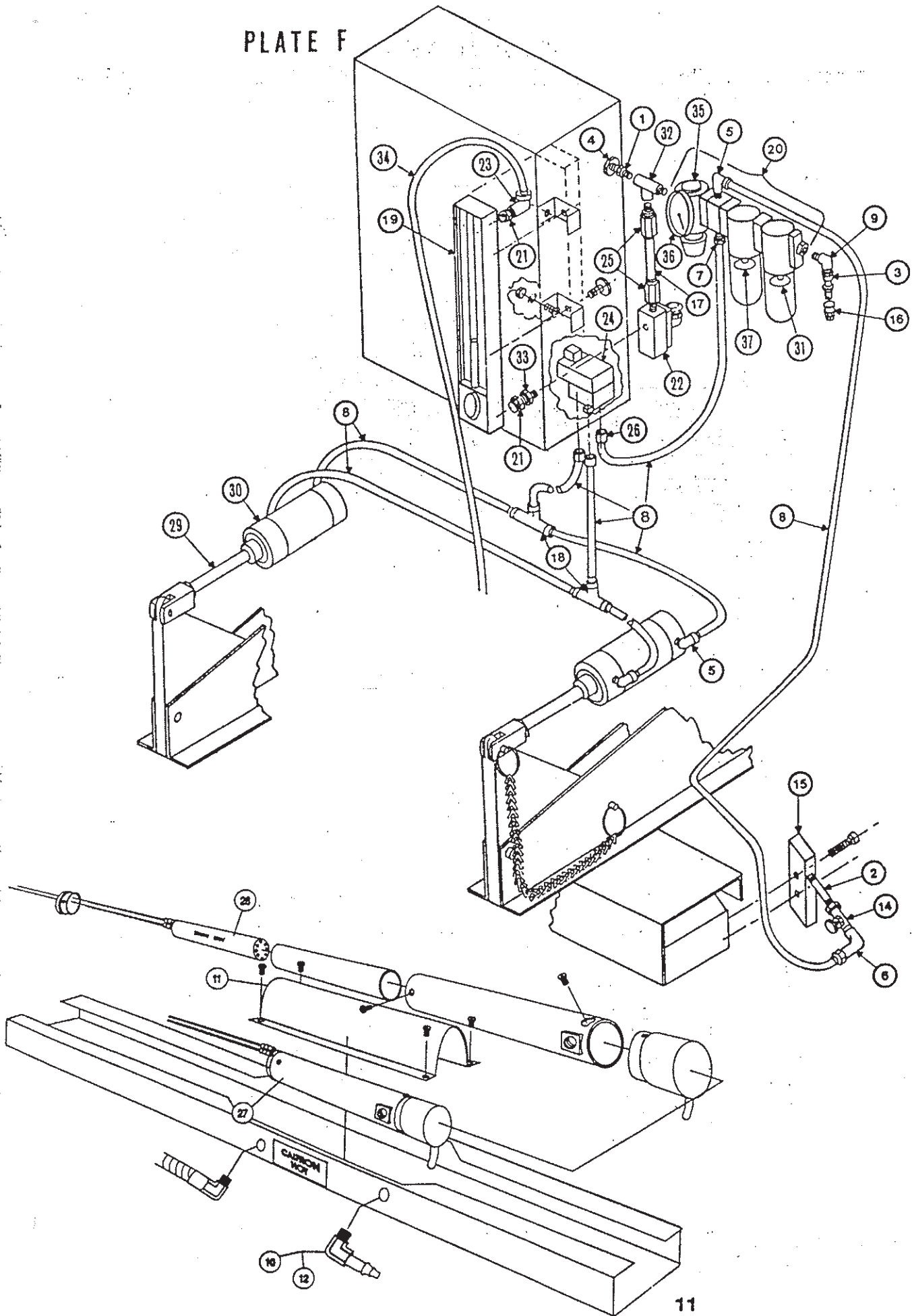


**PLATE E  
DC MOTOR DRIVE ASSEMBLY**

ITEM	QTY.	PART NO.	DESCRIPTION
1	A/R	A5148	Screw, Thd Cutting
2	1	17150	Guard, Gear (DC)
3	1	17152	Guard, Drive-Front Cover
4	1	17151	Guard, Drive-Rear Cover
5	1	A5636	Sprocket, Drive Shaft #40 I.O. ID-12T
6	1	66503	Motor, 1 HP 180 VDC
7	1	A5697	Chain Link, Offset - #40
8*	A/R	N/A	Chain, #40 - 1/2 P Single Strand
9	4	WL38	Washer Lock - 3/8
10	4	H38161	Screw, Hex 3/8-16 x 1
11	1	17038	Reducer, 20:1 56C
12	1	A5637	Sprocket, #40 7/8 ID-16T

\* Purchase Chain From Local Supplier

PLATE F



**PLATE F  
PNEUMATIC SYSTEM**

ITEM	QTY.	PART NO.	DESCRIPTION
1	1	P1911	Nipple, Hex - 1/4 NPT
2	1	P4944	Nipple, Long - 1/8 NPT x 2-1/2
3	1	P4945	Coupler, Male
4	1	P4952	Adapter, Bulkhead - 1/4 NPT x 15/16
5	5	P4961	Elbow, Male 1/4 NPT to 1/4 Poly Tube
6	1	P4962	Elbow, Fem. 1/8 NPT to 1/4 Poly Tube
7	REF	P4965	Fitting, Male - 1/4 NPT to 1/4 Poly Tube
8	23 Ft	P4968	Tubing, Polyflo - 1/4 O.D.
9	1	P4987	Elbow, Street-90 deg-1/4 NPT ML-1/4 NPT FL
10	1	<del>66092</del> 17029	Elbow, 3/8 NPT Male to 1/2 Poly
11	1	17059	Cover, Heater Housing
12	1	66095	Nipple
14	1	A5669	Valve, Needle
15	1	A5672	Manifold, Blower - Air Scrubber
16	1	10718	Socket, Coupling
17	1 Ft	P4969	Tubing, Polyflo - 3/8 O.D.
18	2	17002	Fitting, Tee - 1/4 Poly Tube
19	1	17003	Meter, Air Flow
20	1	17005	Assy., Filter - Regulator (Modular)
21	2	17011	Nipple, Reducing - 3/8 NPT to 1/2 NPT
22	1	17014	Switch, Air Flow
23	1	17029	Elbow, Male - 3/8 NPT to 1/2 Poly Tube
24	1	17034	Valve, Solenoid
25	2	P4966	Fitting - 1/4 NPT to 3/8 Poly Tube
26	REF	A1988	Sleeve, Nylon
27	1	17043	Housing, Heater Element (w/element)
	A/R	66267	Beads, Ceramic
	1	17045	End Cap, Bead End
	1	17044	End Cap, Outlet End
	1	17048	Tube, Outlet
	1	17049	Tube, Inner
	3	B832516	Screw, BND HD. #8-32 x 5/16
	1	A3570	Screw, Ground (Green)
28	1	17046	Element, Heater (Replacement)
29	2	A5614	Clevis
30	2	A5615	Cylinder, Air
31	1	A5033	Element, Prefilter (Replacement)
32	1	17039	Tee, 1/4 NPT Male x 1/4 NPT Fem x 1/4 NPT F.
33	1	A5243	Reducer, 1/4 NPT Male x 1/8 NPT Male
34	5 Ft	17001	Tubing, Polyflo - 1/2 O.D.
35	1	A5159	Regulator (Replacement)
36	1	A5161	Gauge (Replacement)
37	1	A5163	Element, Coalescing Filter (Replacement)