

**FISCHBEIN® ECR SERIES PORTABLE SEWING MACHINES
OPERATOR'S MANUAL**

8. SPARE PARTS

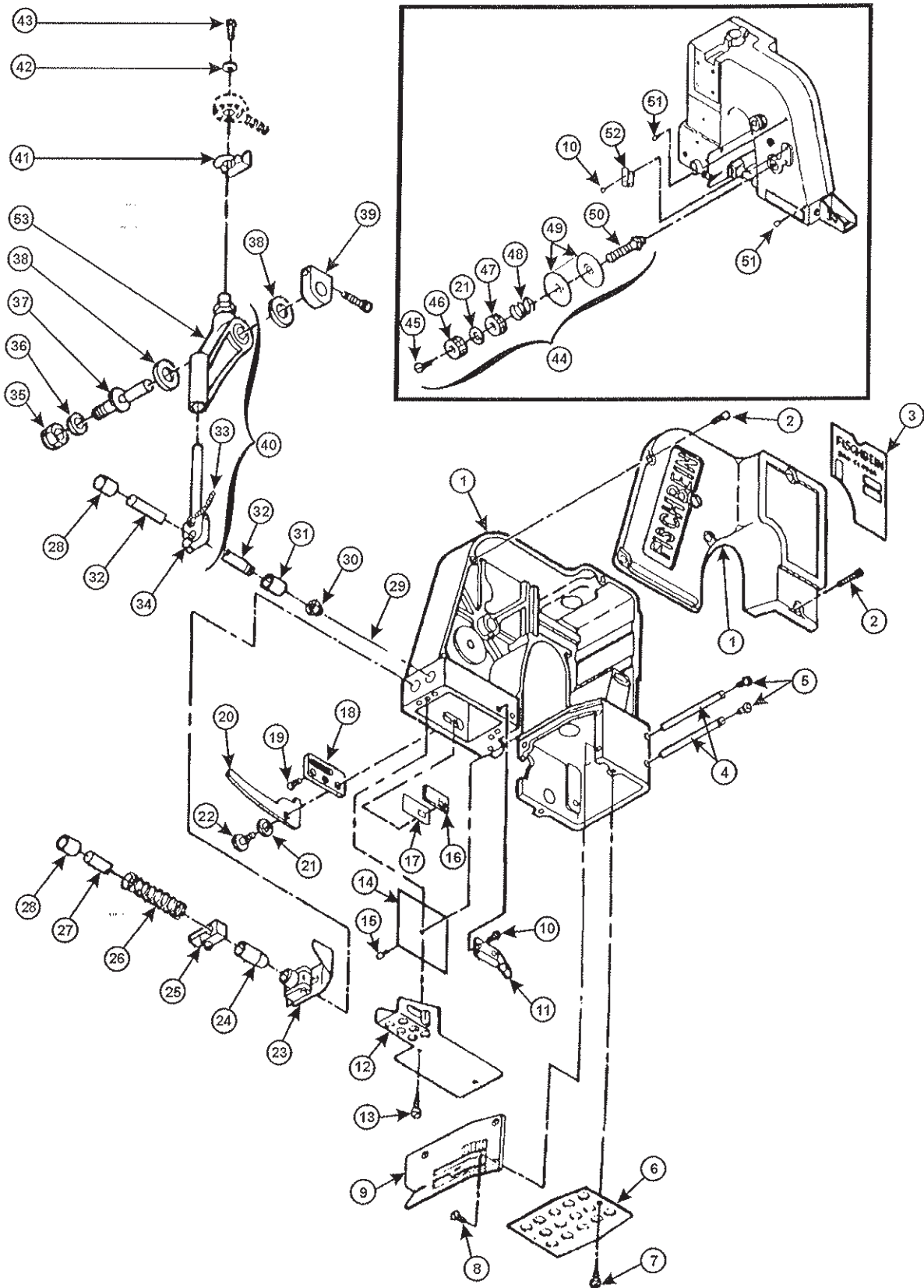
8. PARTES DE REPUESTO

| MODEL ECR SPARE PARTS AND ACCESSORIES | | | |
|--|-----------------|-----------------|--|
| ITEM | QUANTITY | PART NO. | DESCRIPTION |
| 1 | 2 | D5 | Needles (25 / Package) |
| 2 | 2 | 11300 | Looper |
| 3 | 2 | 11203 | Feed Dog, Standard |
| | 2 | 11215 | Feed Dog, Special Linen Machine Only |
| 5 | 2 | 11399 | Assy, Presser Foot (Tape and Plstc) |
| 5 | 2 | 11703 | Stationary Knife |
| 6 | 2 | 11702 | Moving Knife |
| 7 | 1 | 11704 | Knife Tension Spring |
| 8 | 1 | 11909 | Drive Belt, Standard |
| | 1 | 11340 | Drive Belt, Model ER (Air) |
| 9 | 1 | 11210 | Standard Throat Plate |
| | 1 | 11212 | Throat Plate, Crepe Tape |
| 10 | 1 | 67275 | 115 VAC Motor Single Ph. 50/60 Hz. |
| 11 | 1 | 67276 | 220 VAC Motor Single Ph. 50/60 Hz. |
| 12 | 4 | 67277 | Motor Brush (For both 115 /220 VAC Motors) |
| | 4 | | Motor Brush (For 12 VDC) |
| 13 | 1 | 11302 | Looper Gauge |
| 14 | 2 | 5-100 | ECR Lubricating Oil Qt. |
| 15 | 2 | 5-101 | ECR Cleaning Solvent Gal. |
| 16 | 2 | 5-102 | Thread Lubricant Gal. |
| 17 | 4 | PT1-124-16 | Poly Thread 1 lb. 12/4 - 16 Cones per Cs. |
| 18 | | 1550 | ECR Suspension Unit |
| 19 | | 1-147 | ECR Tool Kit |

| REPUESTOS Y ACCESORIOS MODELO ECR | | | |
|--|-----------------|------------------|--|
| ITEM | CANTIDAD | PARTE No. | DESCRIPCION |
| 1 | 2 | D5 | Agujas (25/paquete) |
| 2 | 2 | 11300 | Ojo Guia |
| 3 | 2 | 11203 | Alimentador Dentado, Estándar |
| | 2 | 11215 | Alimentador Dentado, Especial Solo Maquina Lino |
| 4 | 2 | 11399 | Ensamble de pie prensador (cinta y plastico) |
| 5 | 2 | 11703 | Cuchilla Estacionaria |
| 6 | 2 | 11702 | Cuchilla Móvil |
| 7 | 1 | 11704 | Resorte de Tensión de la Cuchilla |
| 8 | 1 | 11909 | Correa de Transmisión, Estándar |
| | 1 | 11340 | Correa de Transmisión, Modelo ER (Aire) |
| 9 | 1 | 11210 | Placa de Garganta Estándar |
| | 1 | 11212 | Placa de Garganta, Cinta Crepé |
| 10 | 1 | 67275 | 115 VAC Motor Sencillo Hp. 50/60 Hz |
| 11 | 1 | 67276 | 220 VAC Motor Sencillo Hp. 50/60 Hz |
| 12 | 4 | 67277 | Escobillas de Motor (Para ambos motores 115/220 VAC) |
| | 4 | | Escobillas de Motor (Para 12 VDC) |
| 13 | 1 | 11302 | Medidor de Ojo Guia |
| 14 | 2 | 5-100 | Cuarto de Aceite Lubricante ECR |
| 15 | 2 | 5-101 | Galón de Solvente Limpiador ECR |
| 16 | 2 | 5-102 | Galón Lubricante Hilo |
| 17 | 4 | PT1-124-16 | Hilo Poliester 1 lb. 12/4 - 16 Conos por caja |
| 18 | | 1550 | Unidad de Suspensión ECR |
| 19 | | 1-147 | Set de Herramientas ECR |

9. DRAWINGS AND PARTS 9. ESQUEMA Y LISTA DE
LISTS PARTES

PLATE A



**FISCHBEIN® ECR SERIES PORTABLE SEWING MACHINES
OPERATOR'S MANUAL**

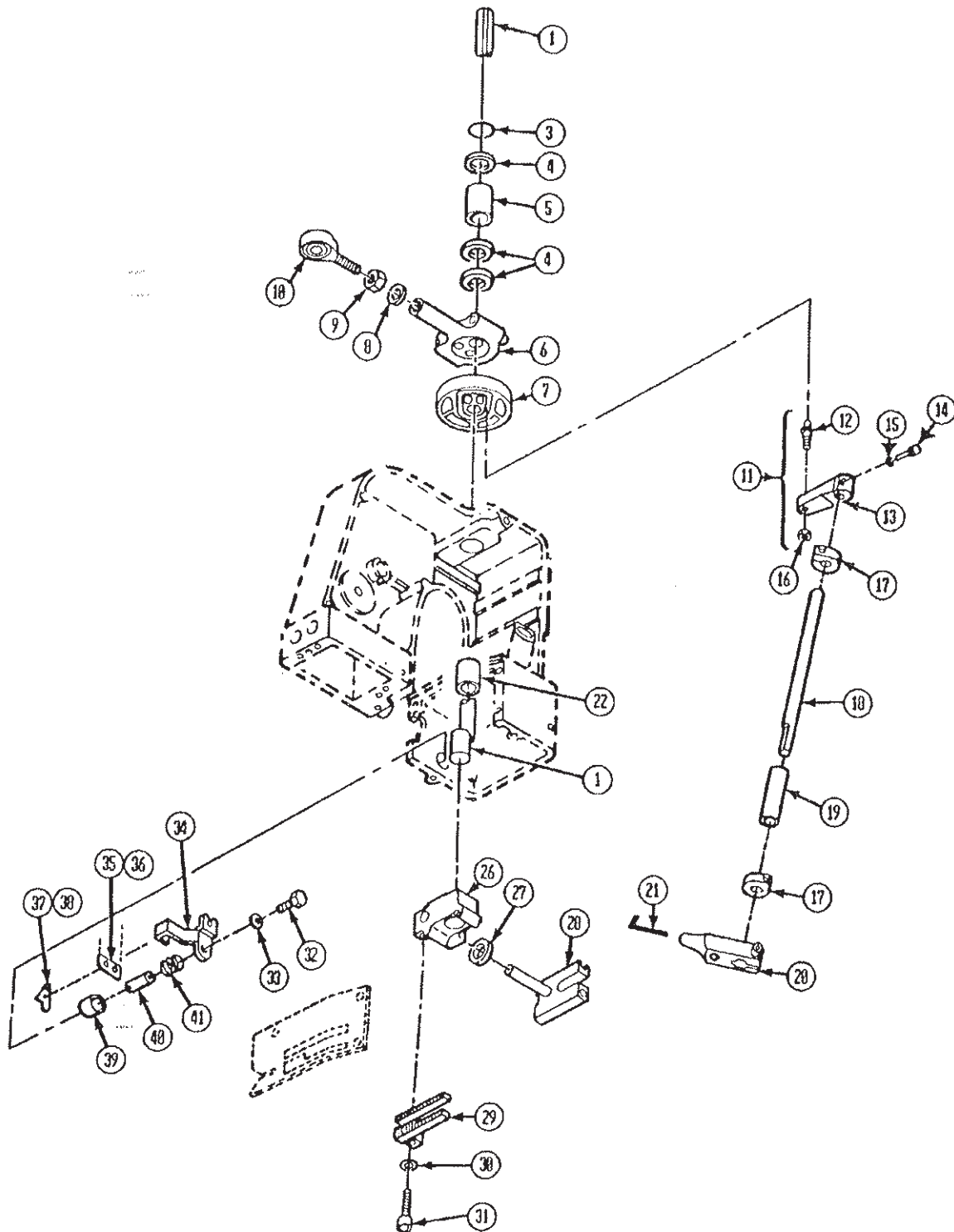
MODEL ECR HOUSING, NEEDLE LEVER & PRESSER FOOT

Plate "A"

| ITEM | QUAN. | PART NO. | DESCRIPTION |
|------|-------|----------|---|
| 1 | 1 | 11448 | Assy, Housing & Cover W/ Bushings |
| | | 11299 | Cover, Housing |
| 2 | 6 | SC83212 | Screw, Soc. Cap 8-32 X 1/2" |
| 3 | 1 | 11004 | Nameplate |
| 4 | 2 | 11010 | Stud, Feed Dog Carrier Slide |
| 5 | 4 | SB103214 | Screw, Soc. Bulton 10-32 X 1/4" |
| 6 | 1 | 11102 | Cover, Looper |
| 7 | 1 | 11108 | Screw, Looper Cover |
| 8 | 3 | F64038 | Screw, Flat Hd. #6-40 X 3/8" |
| 9 | 1 | 11210 | Plate, Throat - Standard |
| | | 11212 | Plate, Throat - Taping (Not Shown) |
| 10 | 4 | SB632316 | Screw, Soc. Btn. #6-32 X 3/16" |
| 11 | 1 | 11321 | Tube, Thread Guide (Front) |
| 12 | 1 | 11101 | Guard, Needle Bar |
| 13 | 3 | SB83214 | Screw, Soc. Btn. #8-32 X 1/4" |
| 14 | 1 | 11009 | Plate, Cover |
| 15 | 1 | SB103214 | Screw, Soc. Btn. 10-32 X 1/4" |
| 16 | 1 | 11657 | Cover, Slide Pad |
| 17 | 1 | 11656 | Pad, Slide |
| 18 | 1 | 11651 | Plate, Lever |
| 19 | 1 | SF832516 | Screw, Soc. Flt. Hd. 8-32 X 5/16" |
| 20 | 1 | 11654 | Lever, Presser Foot Lifter |
| 21 | 1 | 11655 | Washer, Spring |
| 22 | 1 | 11653 | Screw, Pivot |
| 23 | 1 | 11400 | Assy., Presser Foot - Standard |
| | | 11399 | Assy, Presser Foot - Taping (Not Shown) |
| 24 | 1 | 11444 | Bushing, Presser Bar - Lower |
| 25 | 1 | 11652 | Lifter, Presser Foot |
| 26 | 1 | 11414 | Spring, Presser Bar |
| 27 | 1 | 11404 | Presser Bar |
| 28 | 2 | 11442 | Bushing, Needle Bar and Presser Bar - Upper |
| 29 | 1 | D5 | Needle |
| 30 | 1 | 11501 | Nut, Needle Bar |
| 31 | 1 | 11443 | Bushing, Needle Bar - Lower |
| 32 | 1 | 11500 | Needle Bar |
| 33 | 1 | 11508 | Wicking, Oil Lubricant |
| 34 | 1 | 11502 | Assy, Needle Bar Clamp |
| 35 | 1 | 11268 | Nut, Lock (Nylock) 3/8 - 24 NC |
| 36 | 1 | A3934 | Washer, Idler |
| 37 | 1 | 11287 | Pin, Pivot |
| 38 | 2 | WT38132 | Washer, Thrust |
| 39 | 1 | 11008 | Clamp, Needle Pivot |
| 40 | 1 | 11099 | Assy., Needle Bar Clamp and Lever |
| 41 | 1 | 11510 | Spring |
| 42 | 2 | WF10 | Washer, #10 Flat |
| 43 | 1 | H103212 | Screw, Hex Hd. 10-32 X 1/2" |
| 44 | 1 | 11112 | Assy., Complete Thread Tension |
| 45 | 1 | F64038 | Screw, Flat #6-40 X 3/8" |
| 46 | 1 | 11116 | Nut, Tension - Upper |
| 47 | 1 | 11117 | Nut, Tension - Lower |
| 48 | 1 | 11115 | Spring, Thread Tension |
| 49 | 2 | 11114 | Disc, Thread Tension |
| 50 | 1 | 11113 | Stud, Thread Tension |
| 51 | 2 | 11109 | Eyelet, Thread Puffoff Eyelet |
| 52 | 1 | 11118 | Tube, Thread Guide - Rear |
| 53 | 1 | 11025 | Lever, Needle |

FISCHBEIN® ECR SERIES PORTABLE SEWING MACHINES
OPERATOR'S MANUAL

PLATE B



**FISCHBEIN® ECR SERIES PORTABLE SEWING MACHINES
OPERATOR'S MANUAL**

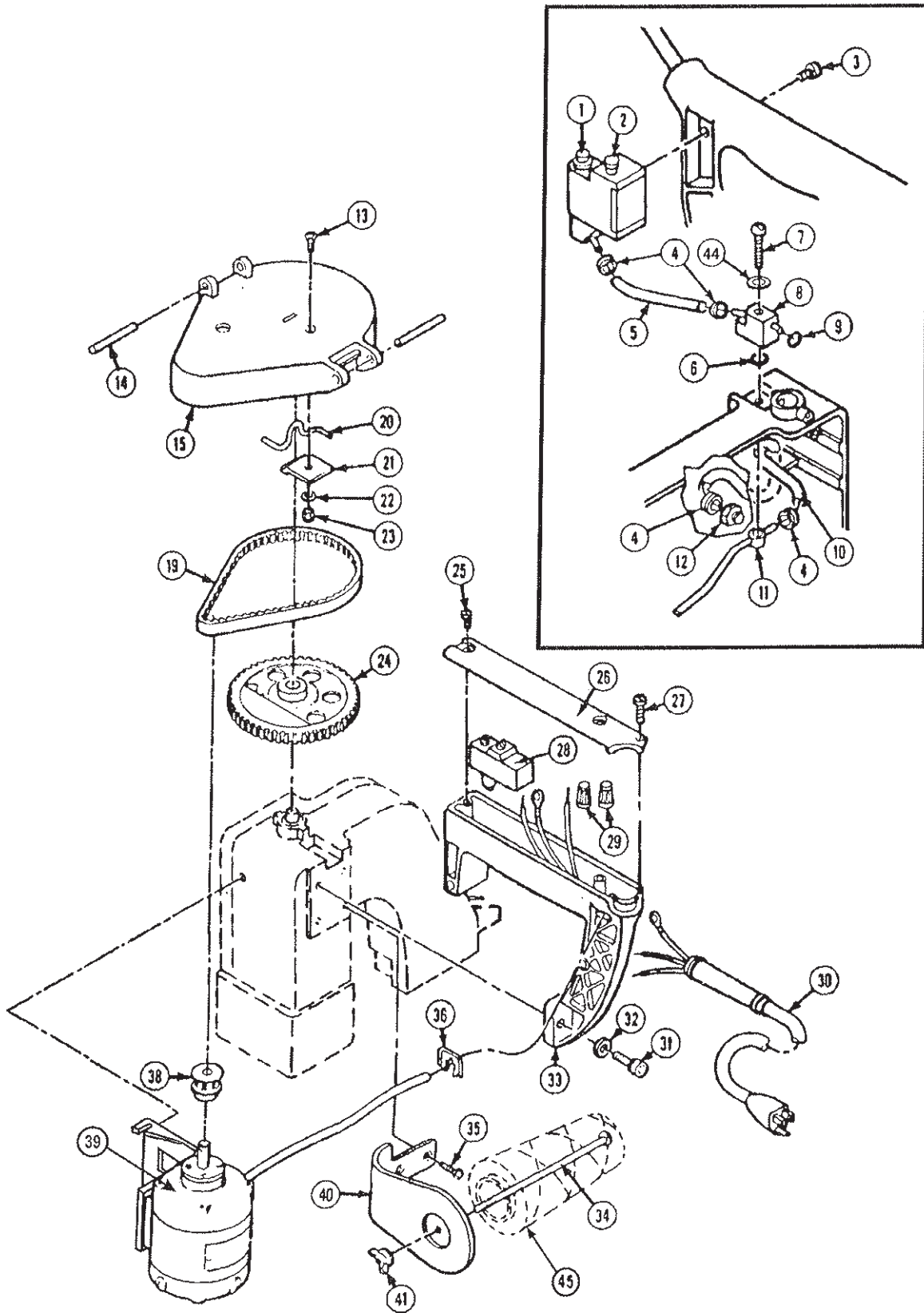
MODEL ECR MAIN SHAFT & LOOPER ASSEMBLY

Plate "B"

| ITEM | QUAN. | PART NO. | DESCRIPTION |
|------|-------|------------|--|
| 1 | 1 | 11600 | Main Shaft |
| 3 | 1 | 10420 | "O" - Ring |
| 4 | 3 | 11006 | Thrust Washer |
| 5 | 1 | 11441 | Bushing, Main Shaft - Rear |
| 6 | 1 | 11079 | Assy., Connecting Rod & Eccentric (REPLACEMENT) |
| 7 | 1 | 11310 | Assy., Looper Cam |
| | 1 | SS103258CP | Screw, Soc. Set 10-32 X 5/8" (Cone Point) |
| | 1 | SS103212 | Screw, Soc. Set 10-32 X 1/2" |
| 8 | 1 | WIT516 | Washer, Internal Tooth 5/16" |
| 9 | 1 | 11608 | Nut, Hex (Special) |
| 10 | 1 | 11607 | Bearing, Rod End |
| 11 | 1 | 11317 | Assy., Cam Follower Arm & Stud |
| 12 | 1 | 11308 | Stud, Cam Follower |
| 13 | 1 | 11307 | Arm, Cam Follower |
| 14 | 1 | SC54058 | Screw, Soc. Cap 5-40 X 5/8" |
| 15 | 1 | 11313 | Washer, Flat - #5 Special |
| 18 | 1 | 11303 | Shaft, Looper |
| 19 | 2 | 11445 | Bushing, Looper Shaft |
| 20 | 1 | 11301 | Holder, Looper |
| | 1 | SS832316 | Screw, Soc. Set 8-32 X 3/16" (HD) |
| | 1 | SC54038 | Screw, Soc. Cap 5040 X 3/8" |
| 21 | 1 | 11300 | Looper |
| 22 | 1 | 11447 | Bushing, Main Shaft - Front |
| 26 | 1 | 11437 | Carrier Block, Feed Dog |
| | 4 | SS64038FP | Screw, Soc. Set 6-40 X 3/8" |
| | 1 | SB832516 | Screw, Soc. Btn. 8-32 X 5/16" |
| | 1 | WIT8 | Washer, Internal Tooth #8 |
| | 1 | 11003 | Clip, Angle |
| 27 | 1 | 11410 | Washer, Felt |
| 28 | 1 | 11446 | Slide |
| 29 | 1 | 11203 | Feed Dog |
| | 1 | 11215 | Feed Dog, Special Linen Machine Only (Not Shown) |
| 30 | 1 | WS8 | Washer, Spring #8 |
| 31 | 1 | SC8321 | Screw, Soc. Cap 8-32 X 1" |
| 32 | 1 | H103238 | Screw, Hex Hd. 8-32 X 3/8" |
| 33 | 1 | WIT10 | Washer, Internal Tooth #10 |
| 34 | 1 | 11007 | Bracket, Knife |
| 35 | 1 | 11703 | Knife, Stationary |
| 36 | 2 | F348516 | Screw, Flat Hd. 3-48 X 5/16" |
| 37 | 1 | 11702 | Knife, Moving |
| 38 | 2 | F348316 | Screw, Flat Hd. 3-48 X 3/16" |
| 39 | 1 | 11016 | Bushing, Knife Shaft |
| 40 | 1 | 11707 | Shaft, Knife |
| 41 | 1 | 11704 | Spring, Knife Tension |

FISCHBEIN® ECR SERIES PORTABLE SEWING MACHINES
OPERATOR'S MANUAL

PLATE C



**FISCHBEIN® ECR SERIES PORTABLE SEWING MACHINES
OPERATOR'S MANUAL**

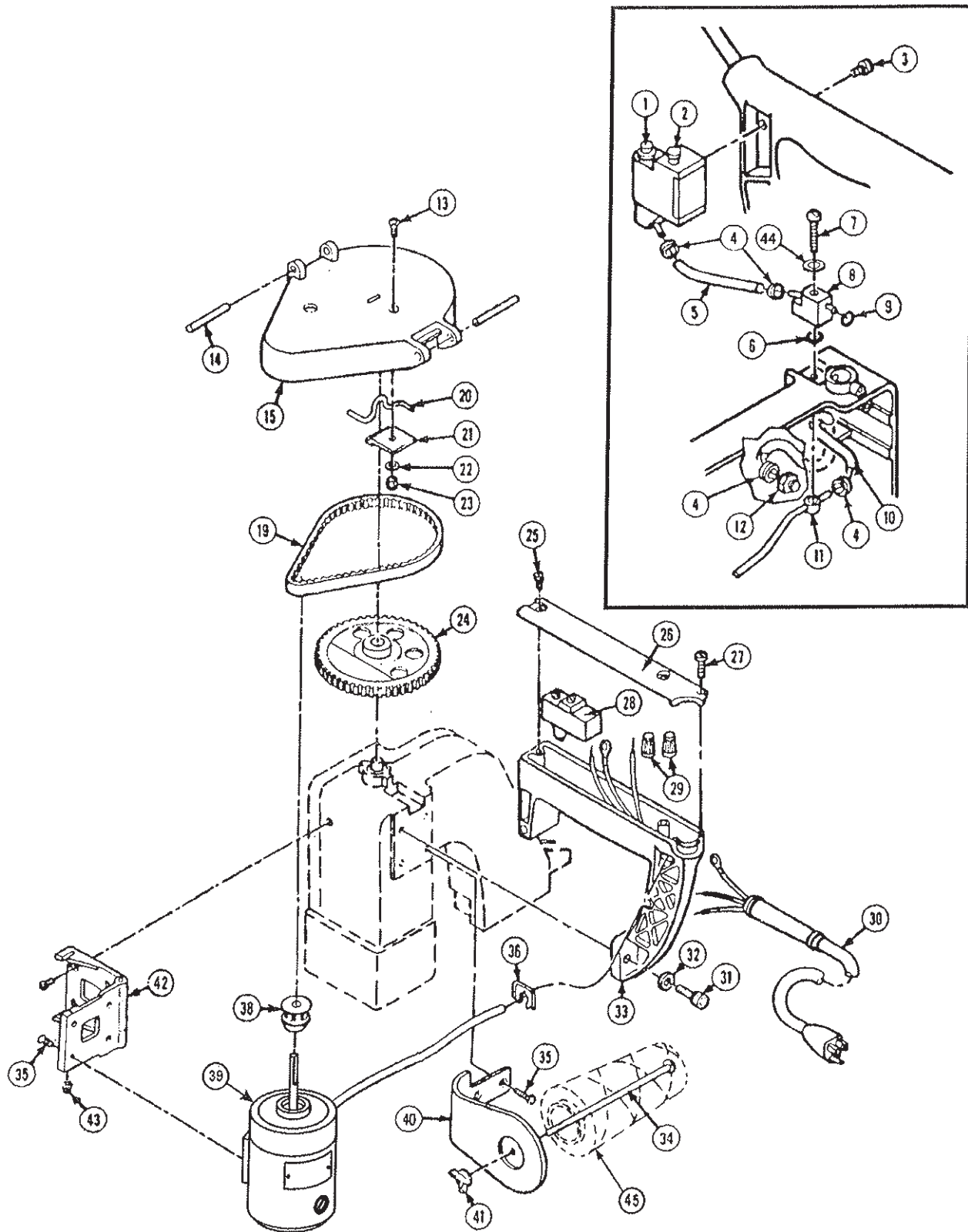
MODEL ECR HANDLE AND ELECTRIC DRIVE

Plate "C"

| ITEM | QUAN. | PART NO. | DESCRIPTION |
|------|-----------------|------------|---|
| 1 | 1 | 11450 | Assy., Oil Pump |
| 2 | 1 | 11453 | Cap, Oil Reserve |
| 3 | 1 | SB83212 | Screw, Soc. Btn. 8-32 X 1/2" |
| 4 | 4 | 11472 | Clamp, Garter Spring |
| 5 | 0.3ft (8,9cm) | 85128 | Tubing, Tygon 1/4" OD |
| 6 | 1 | 11479 | "O" Ring |
| 7 | 1 | SB832114 | Screw, Soc. Btn. 8-32 X 1 1/4" |
| 8 | 1 | 11475 | Manifold, Outside |
| 9 | 1 | 11478 | "O" Ring |
| 10 | 0.5ft (15,24cm) | 85128 | Tubing, Tygon 1/4" OD |
| 11 | 1 | 11485 | Weldment, Manifold - Inside |
| 12 | 1 | 11490 | Fitting, Barbed |
| 13 | 1 | SF832516 | Screw, Soc. Flat 8-32 X 5/16" |
| 14 | 2 | PS6.3X40 | Spring Pin 1/4" Dia. X 1 1/2" |
| 15 | 1 | 11018 | Guard, Belt (Top) |
| | | | |
| | | | |
| 19 | 1 | 11909 | Drive Belt, Timing |
| 20 | 1 | 11012 | Hanger |
| 21 | 1 | 11017 | Clip, Hanger |
| 22 | 1 | WIT8 | Washer, Internal Tooth #8 |
| 23 | 1 | NH832 | Nut, Hex 8-32 |
| 24 | 1 | 11904 | Pulley, Machine |
| 25 | 2 | SB103212 | Screw, Soc. Set 10-32 X 1/2" |
| 26 | 1 | 11011 | Cover, Handle |
| 27 | 1 | SC44034 | Screw, Soc. Cap 4-40 X 3/4" |
| 28 | 1 | 11819 | Switch |
| 29 | 2 | 76000 | Wire Nut, 300V, 16-18 AWG |
| 30 | 1 | 11808 | Cord Set |
| | 1 | 11777 | Cord Set - 12 Volt (10 Ft.) |
| 31 | 2 | SC142034 | Screw, Soc. Cap 1/4-20 X 3/4" |
| 32 | 2 | WS14 | Washer, Spring 1/4" |
| 33 | 1 | 11028 | Handle (Standard Unit) |
| 34 | 1 | 11804 | Holder, Thread Guide and Cone |
| 35 | 2 | SF103238 | Screw, Soc. Flat 10-32 X 3/8" |
| 36 | 1 | 11073 | Strain Relief |
| | | | |
| 38 | 1 | 11902 | Assby, Pulley-Motor Timing |
| 39 | 1 | 67275 | Motor, 115 VAC w/ Mount (Hinge and Screws Included) |
| | | 67276 | Motor, 220 VAC w/ Mount (Hinge and Screws Included) |
| 40 | 1 | 11815 | Thread Stand (8 oz. or 16 oz. Cone) |
| 41 | 1 | 11805 | Nut, Wing-Washer Base-1/4-20 |
| | | | |
| | 1 | 11190 | Oil and Needles Kit (Not Shown) |
| | 1 | 35012 | Owners Manual and Warranty Card |
| 44 | 1 | WN8 | Washer, Nylon-#8 |
| | 1 | 1-147 | ECR Tool Kit |
| 45 | 1 | PT8OZWHITE | Thread, Poly 8 Oz. Cone |
| | | | |
| | | | |

FISCHBEIN® ECR SERIES PORTABLE SEWING MACHINES
OPERATOR'S MANUAL

PLATE D



**FISCHBEIN® ECR SERIES PORTABLE SEWING MACHINES
OPERATOR'S MANUAL**

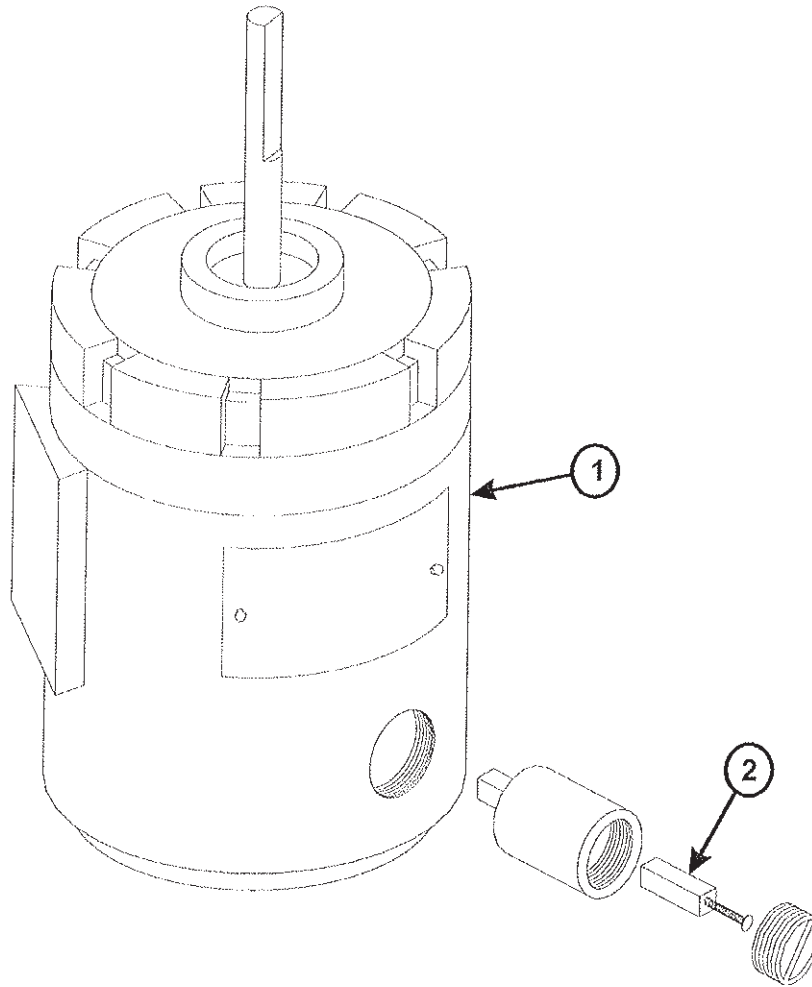
MODEL ECR HANDLE AND ELECTRIC DRIVE

Plate "D"

| ITEM | QUAN. | PART NO. | DESCRIPTION |
|------|-----------------|------------|-------------------------------------|
| 1 | 1 | 11450 | Assy., Oil Pump |
| 2 | 1 | 11453 | Cap, Oil Reserve |
| 3 | 1 | SB83212 | Screw, Soc. Btn. 8-32 X 1/2" |
| 4 | 4 | 11472 | Clamp, Garter Spring |
| 5 | 0.3ft (8,9cm) | 85128 | Tubing, Tygon 1/4" OD |
| 6 | 1 | 11479 | "O" Ring |
| 7 | 1 | SB832114 | Screw, Soc. Btn. 8-32 X 1 1/4" |
| 8 | 1 | 11475 | Manifold, Outside |
| 9 | 1 | 11478 | "O" Ring |
| 10 | 0.5ft (15,24cm) | 85128 | Tubing, Tygon 1/4" OD |
| 11 | 1 | 11485 | Weldment, Manifold - Inside |
| 12 | 1 | 11490 | Fitting, Barbed |
| 13 | 1 | SF832516 | Screw, Soc. Flat 8-32 X 5/16" |
| 14 | 2 | PS6.3X40 | Spring Pin 1/4" Dia. X 1 1/2" |
| 15 | 1 | 11018 | Guard, Belt (Top) |
| 16 | 2 | SB83238 | Screw, Soc. Btn. 8-32 X 3/8" |
| 17 | 2 | WS8 | Washer, Spring - #8 |
| 18 | 1 | 11938 | Counterweight |
| 19 | 1 | 11909 | Drive Belt, Timing |
| 20 | 1 | 11012 | Hanger |
| 21 | 1 | 11017 | Clip, Hanger |
| 22 | 1 | WIT8 | Washer, Internal Tooth #8 |
| 23 | 1 | NH832 | Nut, Hex 8-32 |
| 24 | 1 | 11904 | Pulley, Machine |
| 25 | 2 | SB103212 | Screw, Soc. Set 10-32 X 1/2" |
| 26 | 1 | 11011 | Cover, Handle |
| 27 | 1 | SC44034 | Screw, Soc. Cap 4-40 X 3/4" |
| 28 | 1 | 11819 | Switch |
| 29 | 2 | 76000 | Wire Nut, 300V, 16-18 AWG |
| 30 | 1 | 11808 | Cord Set |
| | 1 | 11777 | Cord Set - 12 Volt (10 Ft.) |
| 31 | 2 | SC142034 | Screw, Soc. Cap 1/4-20 X 3/4" |
| 32 | 2 | WS14 | Washer, Spring 1/4" |
| 33 | 1 | 11028 | Handle (Standard Unit) |
| 34 | 1 | 11804 | Holder, Thread Guide and Cone |
| 35 | 10 | SF103238 | Screw, Soc. Flat 10-32 X 3/8" |
| 36 | 1 | 11073 | Strain Relief |
| | | | |
| 38 | 1 | 11902 | Assy, Pulley-Motor Timing |
| 39 | 1 | 11660B | Motor, 220 VAC BALDOR |
| 40 | 1 | 11815 | Thread Stand (8 oz. or 16 oz. Cone) |
| 41 | 1 | 11805 | Nut, Wing-Washer Base-1/4-20 |
| 42 | 1 | 11906 | Assy, Hinge-Motor Mount |
| 43 | 2 | 11908 | Screw, Sems - Pan Hd. 6-32 x 7/16" |
| | 1 | 11190 | Oil and Needles Kit (Not Shown) |
| | 1 | 35012 | Owners Manual and Warranty Card |
| 44 | 1 | WN8 | Washer, Nylon-#8 |
| | 1 | 1-147 | ECR Tool Kit |
| 45 | 1 | PT8OZWHITE | Thread, Poly 8 Oz. Cone |
| | | | |
| | | | |
| | | | |

**FISCHBEIN® ECR SERIES PORTABLE SEWING MACHINES
OPERATOR'S MANUAL**

PLATE E



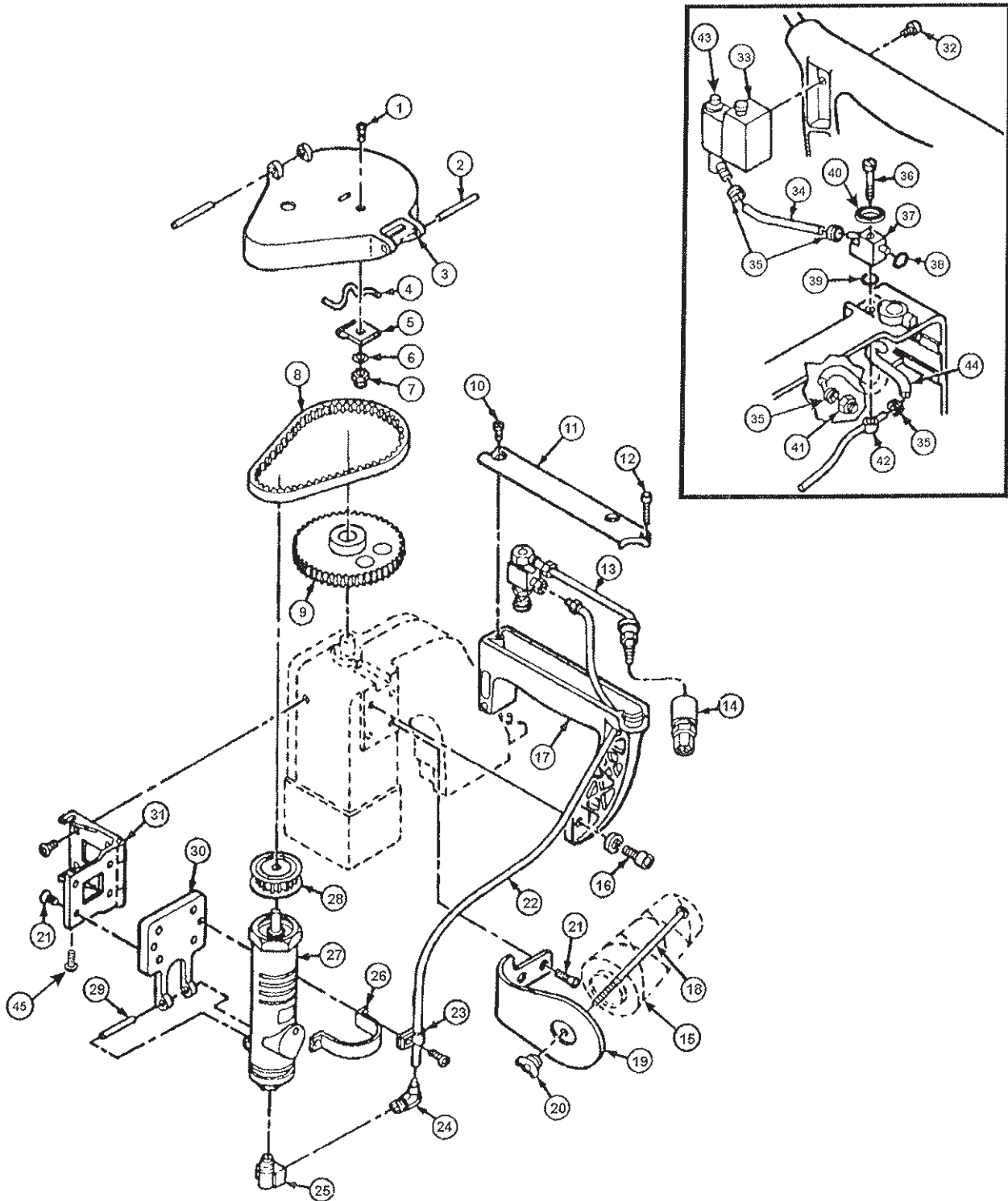
| MODEL ECR DRIVE MOTOR | | | |
|-----------------------|----------|----------|------------------------------------|
| PLATE "E" | | | |
| ITEM | QUANTITY | PART NO. | DESCRIPTION |
| 1 | 1 | 67275 | Motor, 115 VAC with Mount |
| | 1 | 67276 | Motor, 220 VAC with Mount |
| | 1 | 11660B | Motor, 220 VAC Baldor |
| | 1 | 67342 | Motor, 12 VDC with Label |
| 2 | 1 | 67277 | Brush, Motor - For 115 and 220 VAC |
| | 1 | 67277 | Brush, Motor - For 115 and 220 VAC |
| | 1 | | Brush, Motor - For 12 VDC |

FISCHBEIN® ECR SERIES PORTABLE SEWING MACHINES
OPERATOR'S MANUAL

BLANK PAGE FOR NOTES

FISCHBEIN® ECR SERIES PORTABLE SEWING MACHINES
OPERATOR'S MANUAL

PLATE F



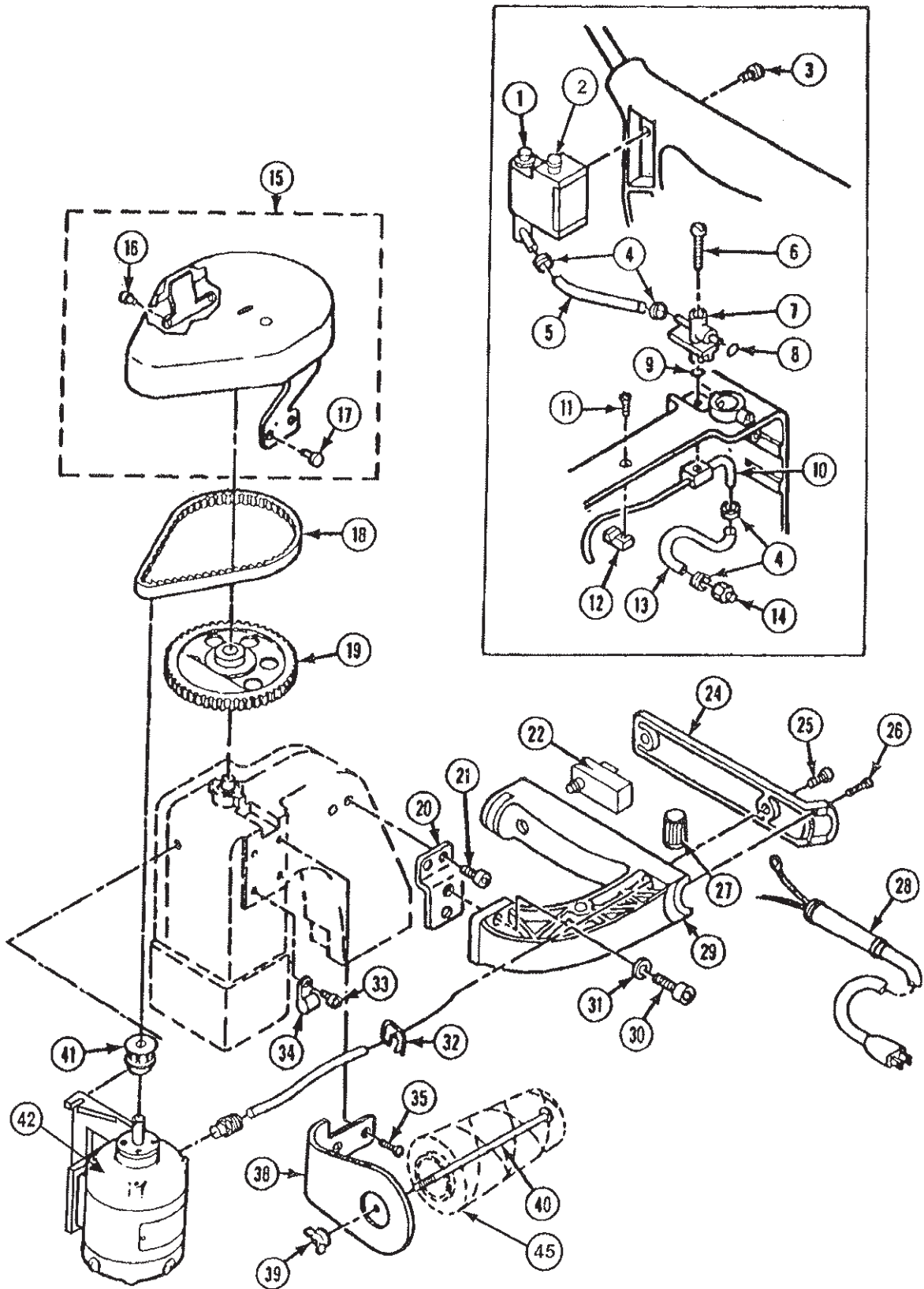
**FISCHBEIN® ECR SERIES PORTABLE SEWING MACHINES
OPERATOR'S MANUAL**

MODEL ER (PNEUMATIC) HANDLE AND DRIVE

PLATE "F"

| ITEM | QUAN. | PART NO. | DESCRIPTION |
|------|---------------|------------|---|
| 1 | 1 | SF832516 | Screw, Soc. Flat 8-32 X 5/16" |
| 2 | 2 | PS6.3X40 | Spring Pin - 1/4" X 1 1/2" Long |
| 3 | 1 | 11018 | Belt Guard, Top |
| 4 | 1 | 11012 | Hanger |
| 5 | 1 | 11017 | Clip, Hanger |
| 6 | 1 | WIT8 | Washer, Internal Tooth #" |
| 7 | 1 | NH832 | Nut, Hex 8-32 |
| 8 | 1 | 11340 | Belt, Timing Drive |
| 9 | 1 | 11339 | Pulley, Main Shaft Timing |
| 10 | 2 | SB103212 | Screw, Soc. Btn. 10-32 X 1/2" |
| 11 | 1 | 11011 | Handle Cover |
| 12 | 1 | SC44034 | Screw, Soc. Cap 4-40 X 3/4" |
| 13 | 1 | 11327 | Valve and Manifold Assy. |
| 14 | 1 | 11863 | Coupling |
| 15 | 1 | PT8OZWHITE | Thread, Poly 8 oz. Cone (White) |
| 16 | 2 | SC142034 | Screw, Soc. Cap 1/4-20 X 3/4" |
| 17 | 1 | 11326 | Handle |
| 18 | 1 | 11804 | Thread Guide and Cone Holder |
| 19 | 1 | 11815 | Thread Stand |
| 20 | 1 | 11805 | Nut, Wing-Washer Base-1/4-20 |
| 21 | 10 | SF103238 | Screw, Soc. Flat 10-32 X 3/8" |
| 22 | 1.5 ft. | P4969 | Motor Air Supply Tubing |
| 23 | 1 | P4976 | Nylon Clip |
| 24 | 1 | 18107 | Male Elbow 1/4" Pipe X 3/8" Tubing |
| 25 | 1 | 11346 | 90 deg. Elbow 1/4" NPT Male X 1/4" NPT Fem. |
| 26 | 1 | 11336 | Air Motor Mounting Strap |
| 27 | 1 | 11335 | Air Motor |
| 28 | 1 | 11338 | Motor Timing Pulley |
| 29 | 1 | PS18138 | Spring Pin 1/8" Dia. X 1 3/8" |
| 30 | 1 | 11337 | Air Motor Mount |
| 31 | 1 | 11906 | Motor Mount Hinge Assy. |
| 32 | 1 | B83212 | Screw, Inding Hd. 8-32 X 1/2" |
| 33 | 1 | 11450 | Oil Pump Assy. |
| 34 | 0.3ft (9,2cm) | 85128 | Oil Pump Tubing |
| 35 | 4 | 11472 | Garter Spring |
| 36 | 1 | B832114 | Screw, Binding Hd. 8-32 X 1 1/4" |
| 37 | 1 | 11475 | Outside Manifold |
| 38 | 1 | 11478 | "O" Ring |
| 39 | 1 | 11479 | "O" Ring |
| 40 | | WN8 | Washer, Nylon-#8 |
| 41 | 1 | 11490 | Barbed Fitting |
| 42 | 1 | 11485 | Inside Manifold Weldment |
| 43 | 1 | 11453 | Cap, Oil Reserve |
| 44 | 0.5 Ft. | 85128 | Plastic Tubing |
| 45 | 2 | 11908 | Screws, Sems-Pan HD 6-32 X 7/16" |
| | | | |
| | | | |
| | | | |
| | | | |

PLATE G



**FISCHBEIN® ECR SERIES PORTABLE SEWING MACHINES
OPERATOR'S MANUAL**

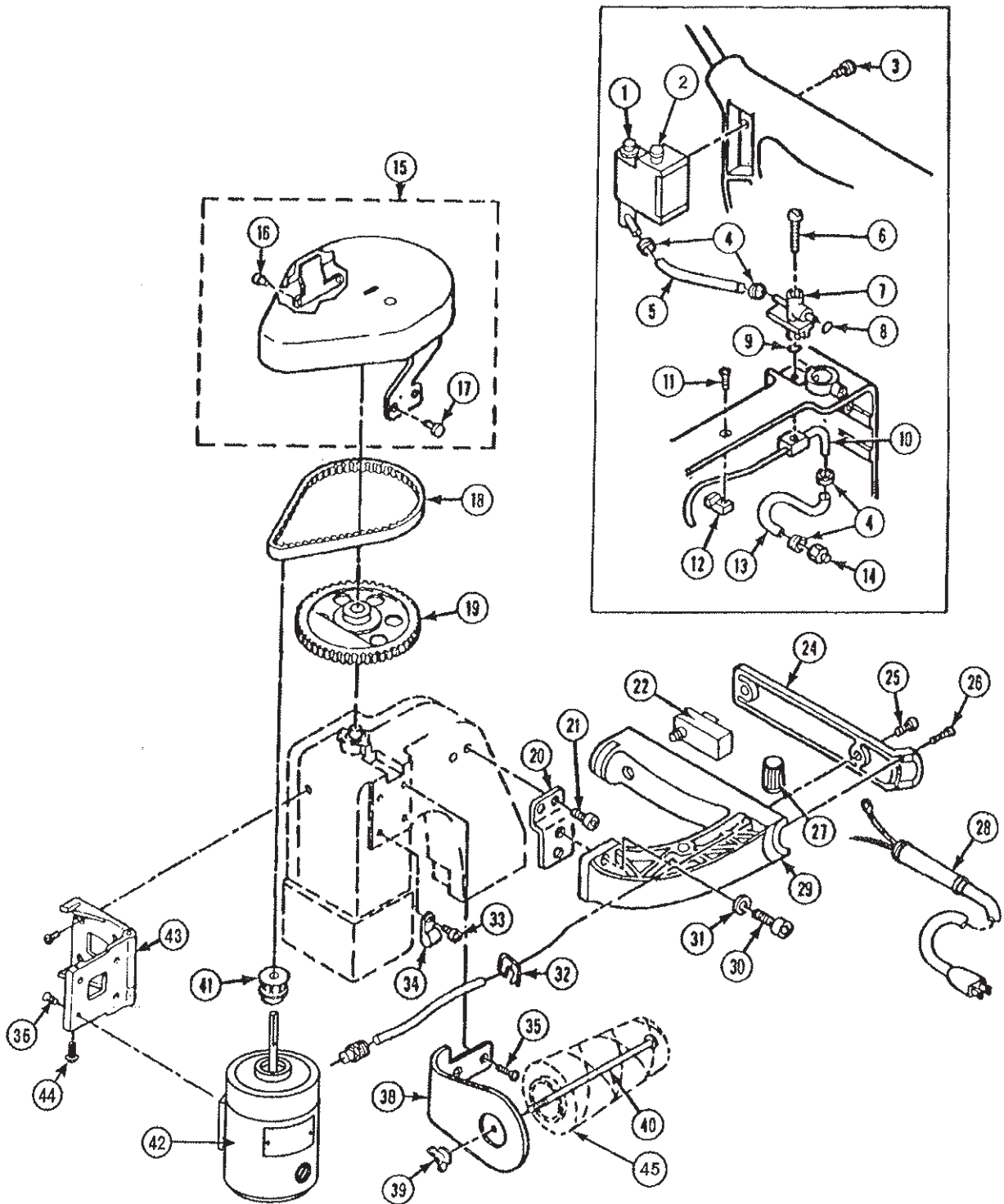
MODEL ECR- EH HANDLE AND ELECTRIC DRIVE

Plate "G"

| ITEM | QUAN. | PART NO. | DESCRIPTION |
|------|-----------------|------------|---|
| 1 | 1 | 11450 | Assy., Oil Pump |
| 2 | 1 | 11453 | Cap, Oil Reserve |
| 3 | 1 | SB83212 | Screw, Soc. Btn. 8-32 X 1/2" |
| 4 | 4 | 11472 | Clamp, Garter Spring |
| 5 | 0.3ft (8,9cm) | 85128 | Tubing, Tygon 1/4" OD |
| 6 | 1 | SB832114 | Screw, Soc. Btn. 8-32 X 1 1/4" |
| 7 | 1 | 11475 | Manifold, Outside |
| 8 | 1 | 11478 | "O" Ring |
| 9 | 1 | 11479 | "O" Ring |
| 10 | 1 | 11364 | Weldment, Manifold - Inside |
| 11 | 1 | F64038 | Screw, Flat HD #6-40 x 3/8 |
| 12 | 1 | 11359 | Clip, Tubing-Manifold (Mod-EH) |
| 13 | 0.5ft (15,24cm) | 85128 | Tubing, Tygon 1/4" OD |
| 14 | 1 | 11490 | Fitting, Barbed |
| 15 | 1 | 11239 | Assy, Guard-Belt (Mod-EH) |
| 16 | 2 | SB83214 | Screw, Soc. Btn. 8-32 X 1/4 BO (SP) |
| 17 | 2 | SB142038 | Screw, Soc. Btn 1/4-20 x 3/8 BO |
| 18 | 1 | 11909 | Drive Belt, Timing |
| 19 | 1 | 11904 | Pulley, Machine |
| 20 | 1 | 11240 | Bracket, Handle |
| 21 | 1 | SB142038 | Screw, Soc. Btn 1/4-20 x 3/8 BO |
| 22 | 1 | 11819 | Switch |
| | | | |
| 24 | 1 | 11011 | Cover, Handle |
| 25 | 2 | SB103238 | Screw, Soc. Set 10-32 X 3/8 |
| 26 | 1 | SC44034 | Screw, Soc. Cap 4-40 X 3/4" |
| 27 | 1 | 76000 | Wire Nut, 300V, 16-18 AWG |
| 28 | 1 | 11808 | Cord Set |
| | 1 | 11777 | Cord Set - 12 Voly (10 Ft.) |
| 29 | 1 | 11241 | Handle, MOD EH |
| 30 | 2 | SC142034 | Screw, Soc. Cap 1/4-20 X 3/4" |
| 31 | 2 | WS14 | Washer, Spring 1/4" |
| 32 | 1 | 11073 | Strain Relief |
| 33 | 1 | SB103238 | Screw, Soc. BTTN #10-32 x 3/8 BO |
| 34 | 1 | 11348 | Clip, Tube-Nylon |
| 35 | 2 | SF103238 | Screw, Soc. Flat 10-32 X 3/8" |
| | | | |
| 38 | 1 | 11815 | Thread Stand (8 oz. or 16 oz. Cone) |
| 39 | 1 | 11805 | Nut, Wing-Washer Base-1/4-20 |
| 40 | 1 | 11804 | Holder, Thread Guide and Cone |
| 41 | 1 | 11902 | Assy,Pulley-Motor Timing |
| 42 | 1 | 66771 | Motor, 115 VAC w/ Mount (Hinge and Screws Included) |
| | | 67559 | Motor, 220 VAC w/ Mount (Hinge and Screws Included) |
| | | | |
| 45 | 1 | PT8OZWHITE | Thread, Poly 8 Oz. Cone |
| | | | |
| | 1 | 35012 | Owners Manual and Warranty Card |
| | 1 | 1-147 | ECR Tool Kit |
| | | | |
| | | | |

FISCHBEIN® ECR SERIES PORTABLE SEWING MACHINES
OPERATOR'S MANUAL

PLATE H



**FISCHBEIN® ECR SERIES PORTABLE SEWING MACHINES
OPERATOR'S MANUAL**

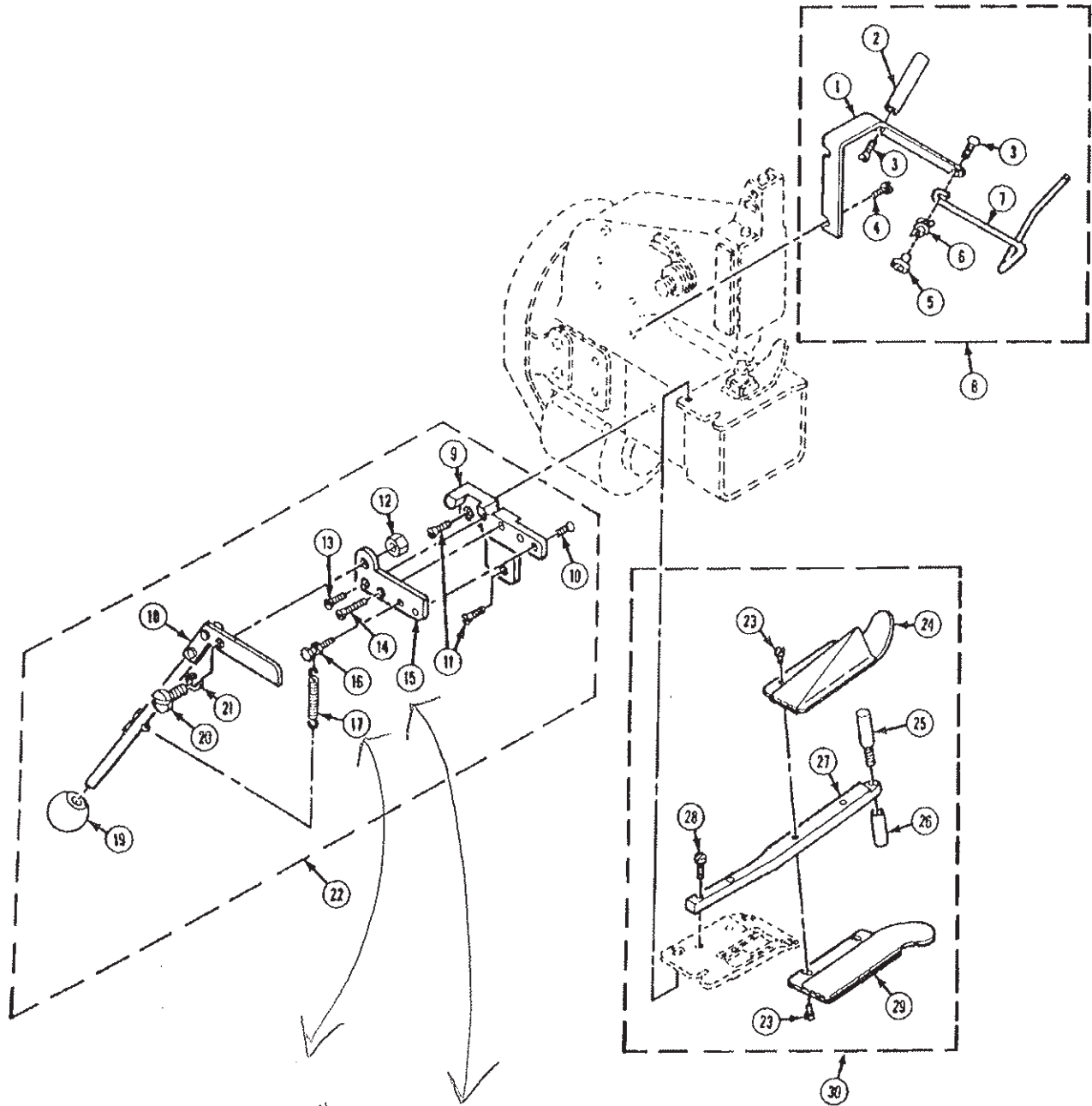
MODEL ECR- EH HANDLE AND ELECTRIC DRIVE

Plate "H"

| ITEM | QUAN. | PART NO. | DESCRIPTION |
|------|-----------------|------------|-------------------------------------|
| 1 | 1 | 11450 | Assy., Oil Pump |
| 2 | 1 | 11453 | Cap, Oil Reserve |
| 3 | 1 | SB83212 | Screw, Soc. Btn. 8-32 X 1/2" |
| 4 | 4 | 11472 | Clamp, Garter Spring |
| 5 | 0.3ft (8,9cm) | 85128 | Tubing, Tygon 1/4" OD |
| 6 | 1 | SB832114 | Screw, Soc. Btn. 8-32 X 1 1/4" |
| 7 | 1 | 11475 | Manifold, Outside |
| 8 | 1 | 11478 | "O" Ring |
| 9 | 1 | 11479 | "O" Ring |
| 10 | 1 | 11364 | Weldment, Manifold - Inside |
| 11 | 1 | F64038 | Screw, Flat HD #6-40 x 3/8 |
| 12 | 1 | 11359 | Clip, Tubing-Manifold (Mod-EH) |
| 13 | 0.5ft (15,24cm) | 85128 | Tubing, Tygon 1/4" OD |
| 14 | 1 | 11490 | Fitting, Barbed |
| 15 | 1 | 11239 | Assy, Guard-Belt (Mod-EH) |
| 16 | 2 | SB83214 | Screw, Soc. Btn. 8-32 X 1/4 BO (SP) |
| 17 | 2 | SB142038 | Screw, Soc. Btn 1/4-20 x 3/8 BO |
| 18 | 1 | 11909 | Drive Belt, Timing |
| 19 | 1 | 11904 | Pulley, Machine |
| 20 | 1 | 11240 | Bracket, Handle |
| 21 | 1 | SB142038 | Screw, Soc. Btn 1/4-20 x 3/8 BO |
| 22 | 1 | 11819 | Switch |
| 24 | 1 | 11011 | Cover, Handle |
| 25 | 2 | SB103238 | Screw, Soc. Set 10-32 X 3/8 |
| 26 | 1 | SC44034 | Screw, Soc. Cap 4-40 X 3/4" |
| 27 | 1 | 76000 | Wire Nut, 300V, 16-18 AWG |
| 28 | 1 | 11808 | Cord Set |
| | 1 | 11777 | Cord Set - 12 Voly (10 Ft.) |
| 29 | 1 | 11241 | Handle, MOD EH |
| 30 | 2 | SC142034 | Screw, Soc. Cap 1/4-20 X 3/4" |
| 31 | 2 | WS14 | Washer, Spring 1/4" |
| 32 | 1 | 11073 | Strain Relief |
| 33 | 1 | SB103238 | Screw, Soc. BTTN #10-32 x 3/8 BO |
| 34 | 1 | 11348 | Clip, Tube-Nylon |
| 35 | 10 | SF103238 | Screw, Soc. Flat 10-32 X 3/8" |
| 38 | 1 | 11815 | Thread Stand (8 oz. or 16 oz. Cone) |
| 39 | 1 | 11805 | Nut, Wing-Washer Base-1/4-20 |
| 40 | 1 | 11804 | Holder, Thread Guide and Cone |
| 41 | 1 | 11902 | Assy,Pulley-Motor Timing |
| 42 | 1 | 66771 | Motor, 220 VAC BALDOR |
| 43 | 1 | 11906 | Assy, Hinge-Motor Mount |
| 44 | 2 | 11908 | Screw, Sems - Pan Hd. 6-32 X 7/16" |
| 45 | 1 | PT8OZWHITE | Thread, Poly 8 Oz. Cone |
| | 1 | 35012 | Owners Manual and Warranty Card |
| | 1 | 1-147 | ECR Tool Kit |

FISCHBEIN® ECR SERIES PORTABLE SEWING MACHINES
OPERATOR'S MANUAL

PLATE I



**FISCHBEIN® ECR SERIES PORTABLE SEWING MACHINES
OPERATOR'S MANUAL**

MODEL ECR TAPE ATTACHMENT ASSEMBLY

Plate "I"

| ITEM | QUAN. | PART NO. | DESCRIPTION |
|-------------|--------------|-----------------|-----------------------------------|
| 1 | 1 | A1608 | Bracket, Holder Reel |
| 2 | 1 | A1609 | Shaft, Holder Reel |
| 3 | 2 | F103212 | Screw, Flat HD - #10-32 x 1/2 |
| 4 | 2 | B83238 | Screw, BDNG. HD - #8-32 x 5/16 |
| 5 | 1 | A1612 | Button, Reel Holder |
| 6 | 1 | A1611 | Spring |
| 7 | 1 | A1610 | Form, Wire |
| 8 | 1 | B1623 | Reel, Holder (Complete) |
| 9 | 1 | A1627 | Bracket, Knife Mount |
| 10 | 1 | F63214 | Screw, Flat HD - #8-32 x 1/4 |
| 11 | 2 | SF103258 | Screw, Soc. Flat - #8-32 x 5/8 BO |
| 12 | 1 | NH1428 | Nut, Hex - 1/4-28 UNF |
| 13 | 1 | F63212 | Screw, Flat HD - #6-32 x 1/2 |
| 14 | 1 | SF83278 | Screw, Soc. Flat - #8-32 x 7/8 BO |
| 15 | 1 | A1602 | Blade, Stationary |
| 16 | 1 | A1603 | Stud, Spring Holder |
| 17 | 1 | A1607 | Spring, Extension |
| 18 | 1 | B1626 | Assembly, Blade and Handle |
| | 1 | A1604 | Blade, Moving |
| | 1 | A1605 | Handle |
| | 2 | P1618 | Round Head (1/8 Dia x 1/2) |
| 19 | 1 | P1606 | Knob, Plastic |
| 20 | 1 | P142834 | Screw, Pan HD - 1/4-28 x 3/4 |
| 21 | 1 | WL14H | Washer, Lock - 1/4 Heavy |
| 22 | 1 | B1633 | Assembly, Knife (Complete) |
| 23 | 4 | B832316 | Screw, Binding HD - #8-32 x 3/16 |
| 24 | 1 | A1616 | Weldment, Folder - Front |
| 25 | 1 | A1614 | Guide, Tee-Male |
| 26 | 1 | A1615 | Guide, Tee-Female |
| 27 | 1 | B1613 | Support, Back Folder |
| 28 | 2 | B832716 | Screw, BDNG. HD - #8-32 x 7/16 |
| 29 | 1 | A1617 | Weldment, Folder - Rear |
| 30 | 1 | B1624 | Folder, Complete |
| | | | |
| | | | |
| | | | |
| | | | |
| | | | |
| | | | |
| | | | |
| | | | |
| | | | |
| | | | |
| | | | |
| | | | |
| | | | |
| | | | |
| | | | |
| | | | |
| | | | |
| | | | |
| | | | |
| | | | |
| | | | |
| | | | |
| | | | |
| | | | |
| | | | |
| | | | |
| | | | |
| | | | |
| | | | |
| | | | |
| | | | |

FISCHBEIN® ECR SERIES PORTABLE SEWING MACHINES
OPERATOR'S MANUAL

PLATE J

