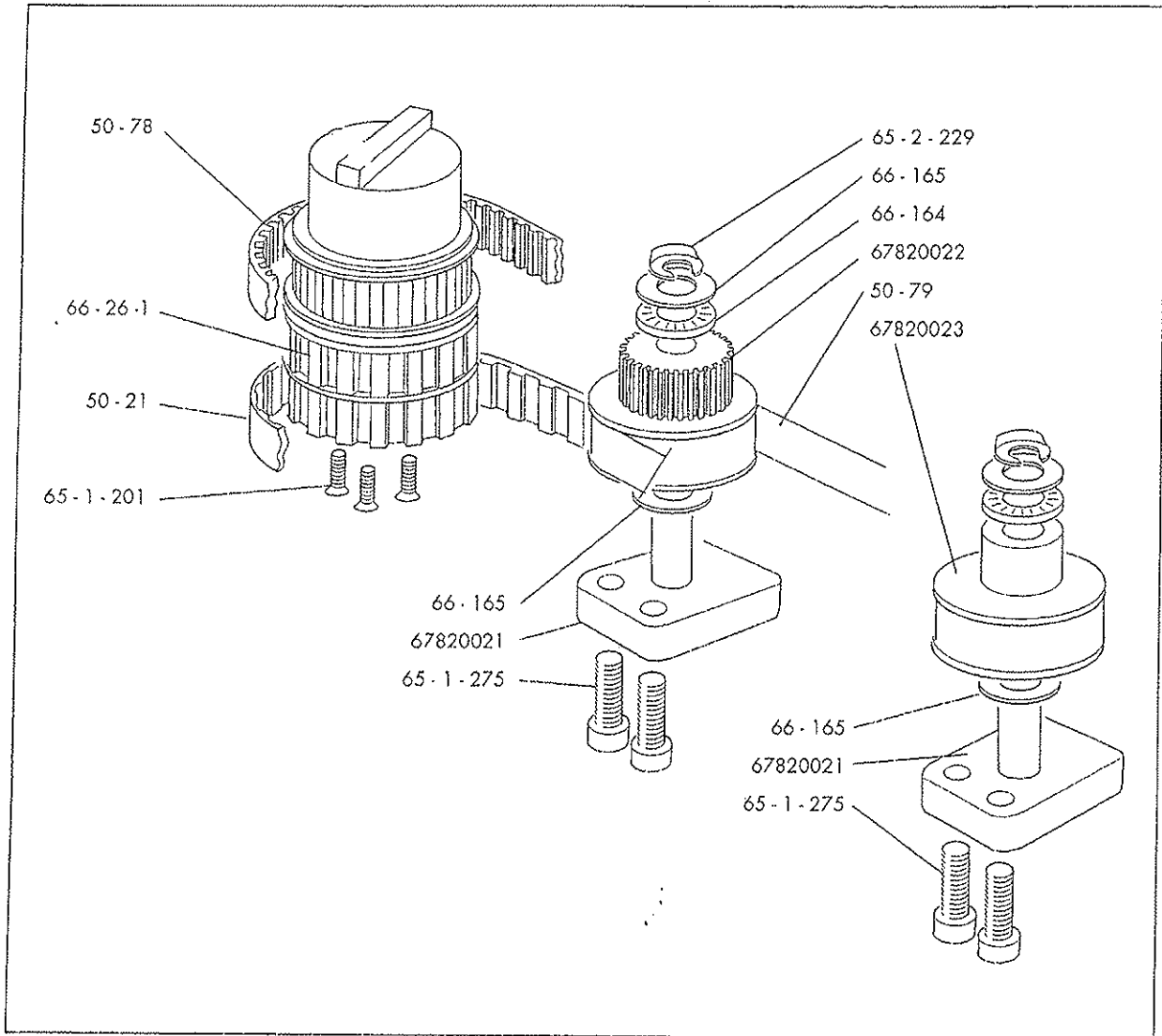


SAXON 5B

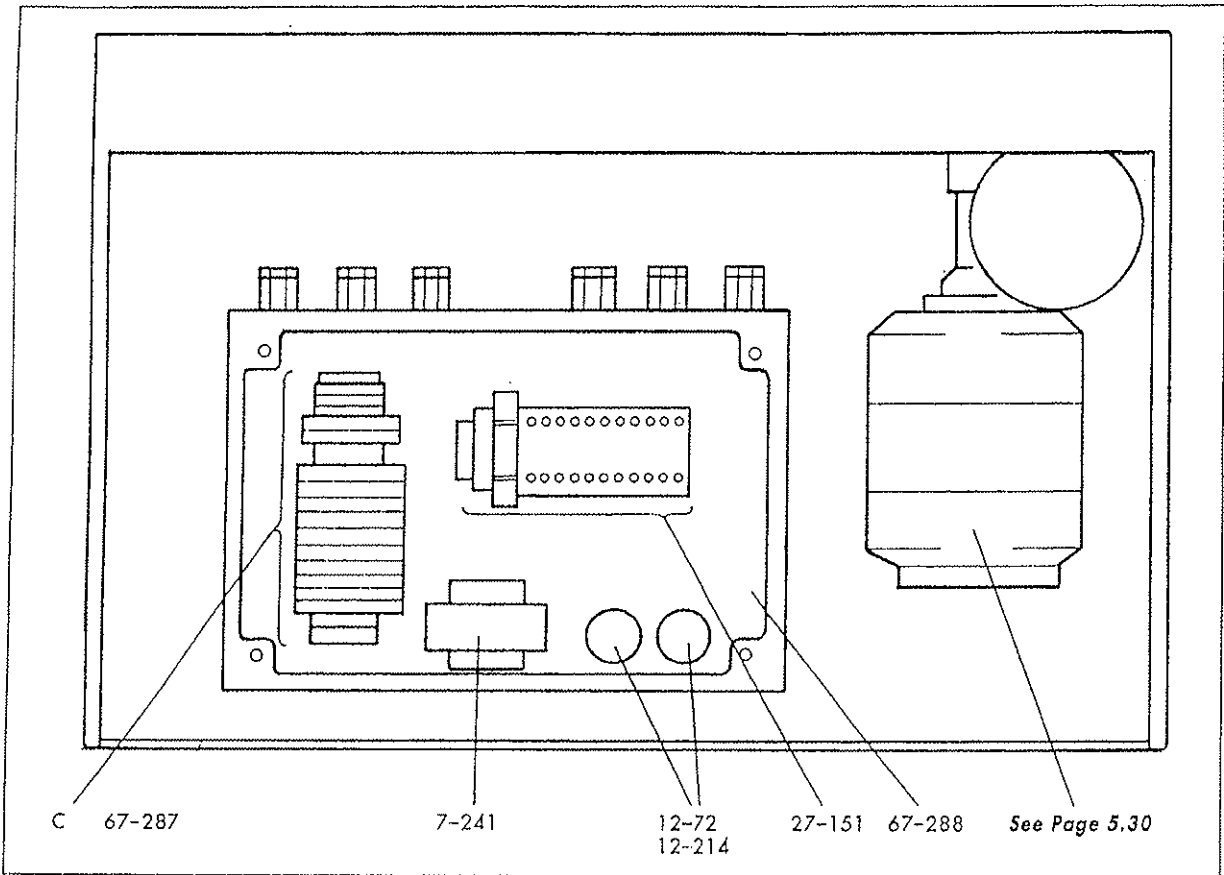
SPARES – PARTS LIST DRIVE ASSEMBLY



PART No.	DESCRIPTION
50-21	Carrying belt
50-78	Drive belt
50-79	PTFE band
66-164	Thrust bearing
66-165	Thrust washer
65-1-275	M4 socket cap screws
65-2-229	10mm external circlip
67820021	Mounting block and shaft
67820022	PTFE band pulley
67820023	PTFE band pulley

SAXON 5B

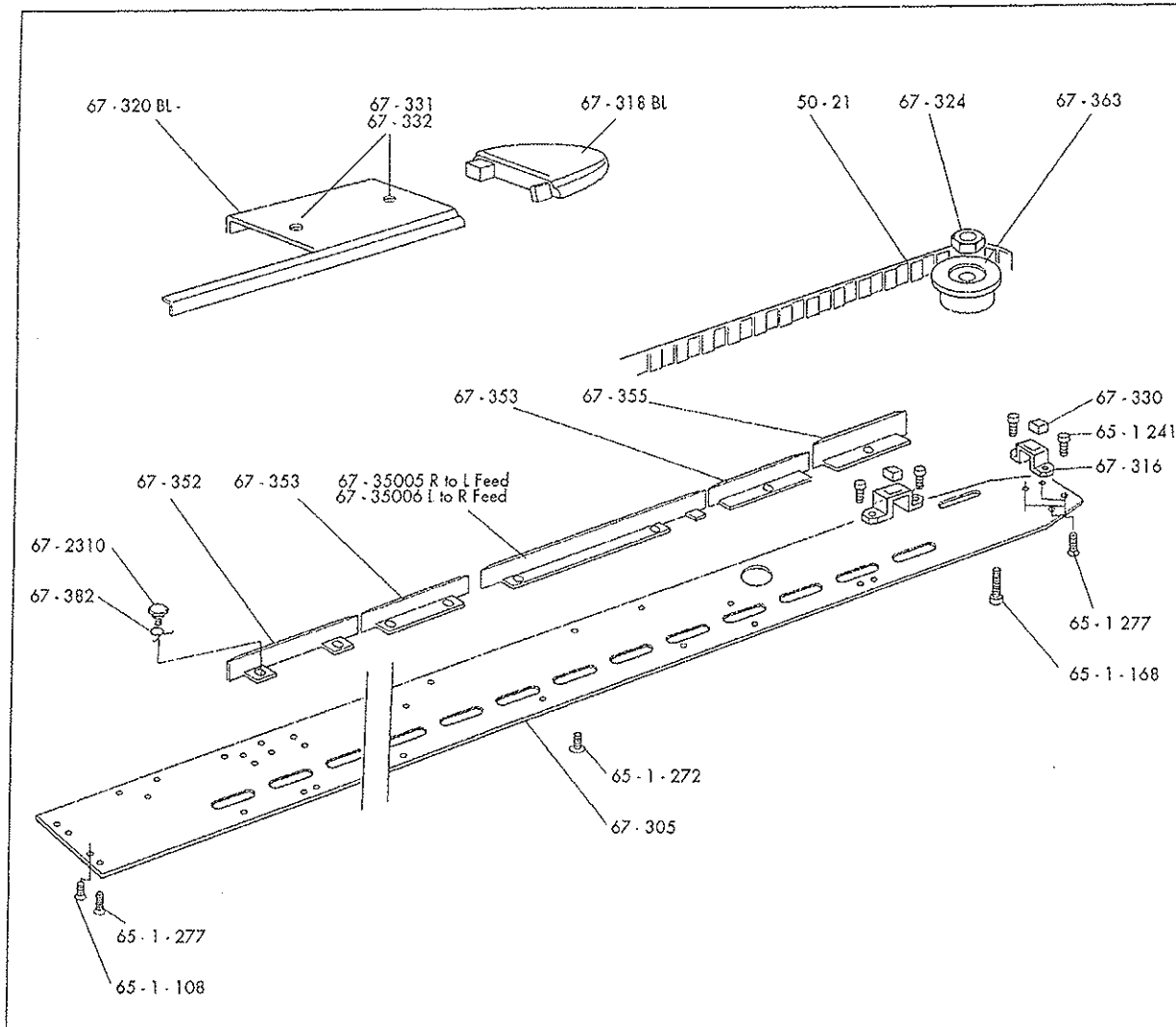
SPARES – PARTS LIST REAR HOUSING



PART No.	DESCRIPTION	PART No.	DESCRIPTION
12-72	Capacitor - 220/240V	Fuses – 240V:	
12-214	Capacitor - 110/115V	75-116	F30 5A (1)
12-61	Motor - 220/240V	75-135	F31 2A(ff) (1)
12-62	Motor - 110/115V	75-134	F32, F33 1A(ff) (2)
27-151	Reversing pair	75-370-01	F35 100MA (1)
67-203-1	Lock	75-370-08	F36, F37 800MA (2)
67-201	Cover	Fuses – 110V:	
75-299	Gas strut	75-26	F30 10A (1)
67820040	Miniblo unit complete 240V	75-115	F31 3.15A (1)
67820041	Miniblo unit complete 110V	75-135	F32, F33 2A(ff) (2)
75-20	Cable glands as required	75-370-025	F35 250MA (1)
75-94		75-370-08	F36 800MA (1)
75-95		75-130	F37 2A (1)
75-215	Terminal - EK		
75-216	Terminal - SAK		
75-222	End bracket - EW35		
C 75-333	Terminal - DK4QV/35		
75-336	End Plate		
75-340	Fused terminal		
75-345	Terminal - ASK1		
75-241	Transformer 20VA		

SAXON 5B

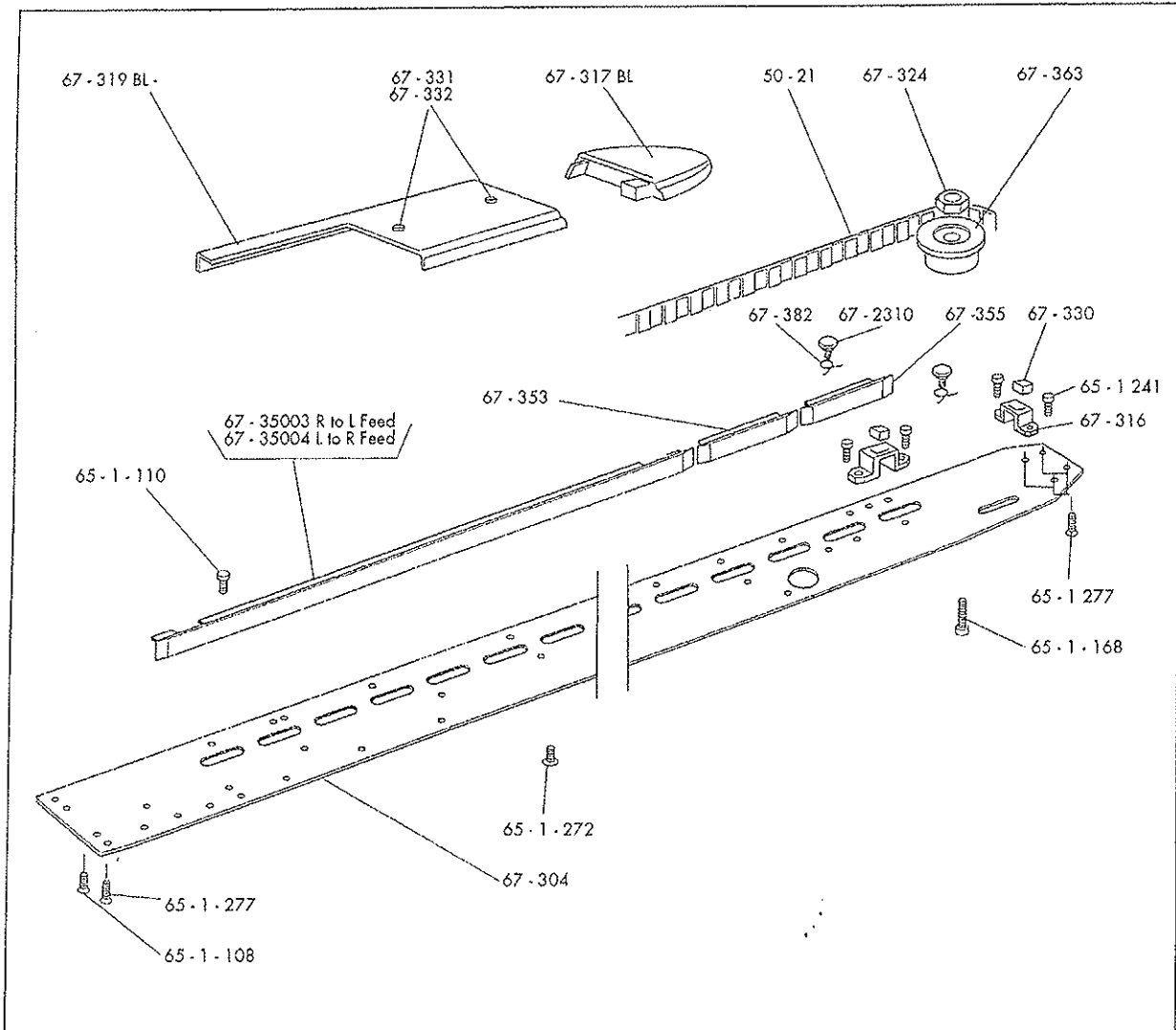
SPARES – PARTS LIST BOTTOM PLATES L.H. Right to Left Feed



PART No.	DESCRIPTION	PART No.	DESCRIPTION
50-21	Belt, carrying	67-331	Dzus stud (2)
65-1-108	Grub screw	67-332	Retaining ring (2)
65-1-168	Screw (1 per set)	67-352	Pressure plate (sprung)
65-1-241	Screws (4)	67-353	Pressure plate (short)
65-1-277	Socket button head screw	67-355	Pressure plate (sprung)
65-1-277	Csk. screw (4 per set)	67-35005	Pressure plate (sprung) R to L feed
65-1-277	Csk. screws (2 per set)	67-35006	Pressure plate (sprung) L to R feed
67-305	Bottom plate L.H.	67-361	Adjuster body (2)
67-316	Bracket, belt guard fastener (2)	65-1-144	Adjusting screw
67-318BL	Infeed 'Vee' L.H.	67-363	Pulley, plain
67-320BL	Belt guard L.H.	67-382	Spring, torsion
67-324	Nut (1 per set)	67-2310	Collar, spring
67-330	Dzus receptacle		

SAXON 5B

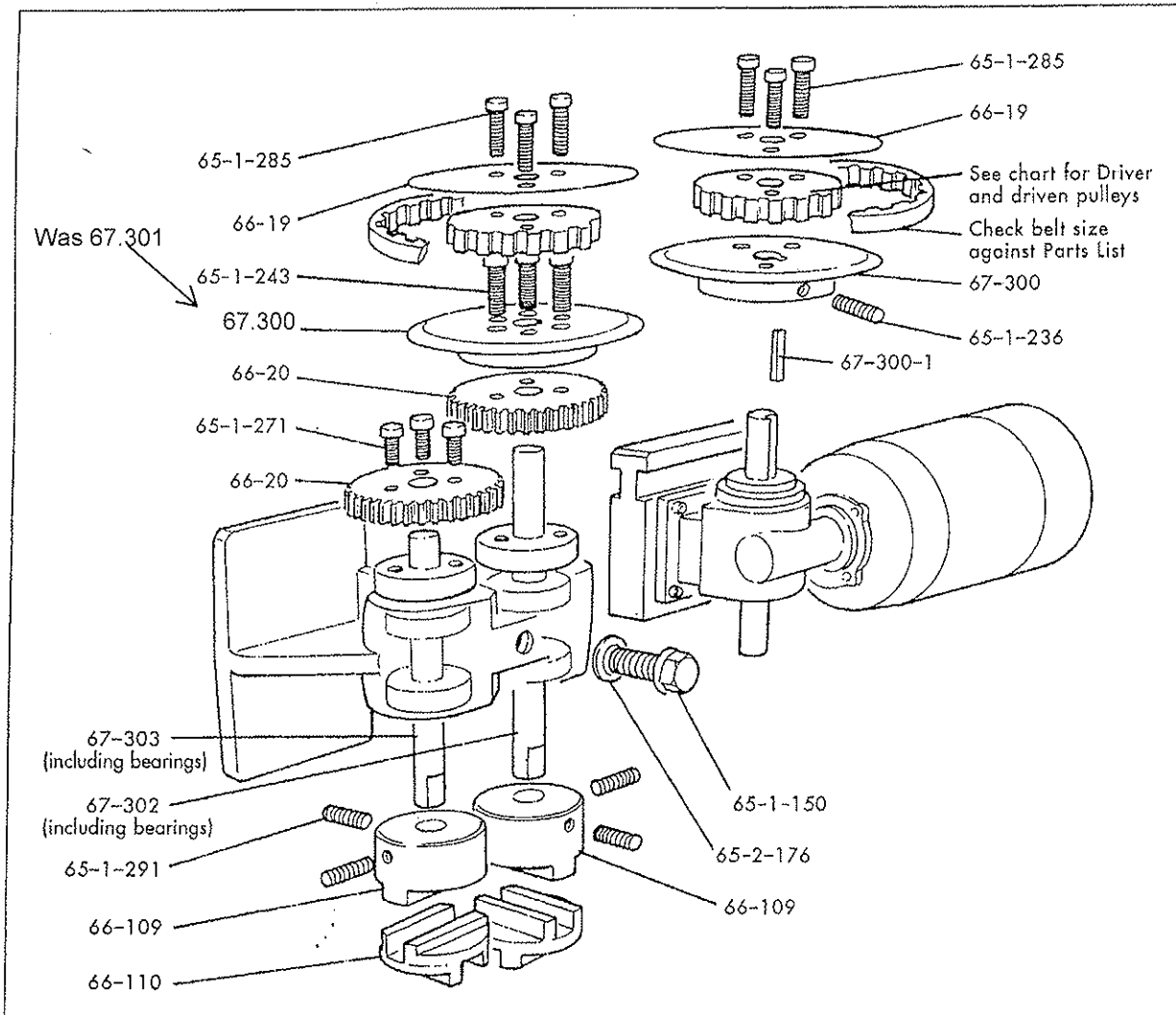
SPARES – PARTS LIST BOTTOM PLATES R.H. R to L & L to R Feed



PART No.	DESCRIPTION	PART No.	DESCRIPTION
50-21	Belt, carrying	67-331	Dzus stud (2)
65-1-108	Grub screw	67-332	Retaining ring (2)
65-1-110	Screws (5)	67-334	Dzus stud retainer
65-1-168	Screw (1 per set)	67-35001	Pressure plate (fixed) - R to L feed
65-1-272	Socket button head screw	67-35002	Pressure plate (fixed) - L to R feed
65-1-277	Csk. screws (4 per set)	67-353	Pressure plate (sprung)
65-1-277	Csk. screws (2 per set)	67-355	Pressure plate (short)
67-304	Bottom plate R.H.	67-363	Pulley, plain
67-316	Bracket, belt guard fastener (2)	67-382	Spring, torsion
67-317BL	Infeed 'Vee' R.H.	67-324	Nut (1 per set)
67-319BL	Belt guard R.H.	67-2310	Collar, spring
67-330	Dzus receptacle		

SAXON 5B

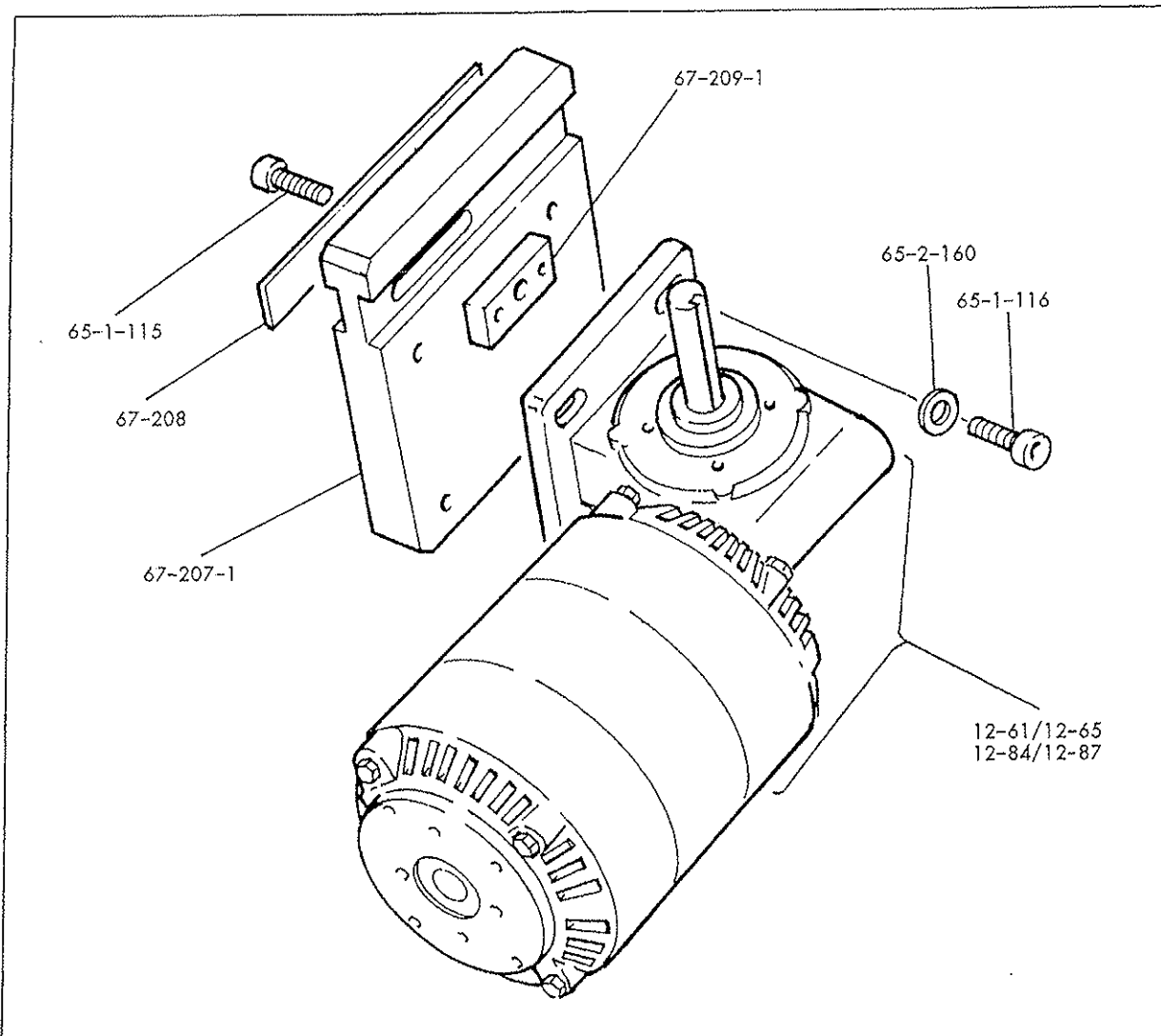
SPARES - PARTS LIST MAIN DRIVE



PART No.	DESCRIPTION	PART No.	DESCRIPTION				
50-8	Belt - Main drive - 225L	66-110	Coupling - Main drive shaft Torque disk				
50-12	Belt - Main drive - 255L	67-300	Pulley flange - Lower driver				
50-14	Belt - Main drive - 240L	67-300-1	Key				
65-1-150	Bolt - Pinch - one per set	67-302	Shaft driven - Long, including bearings				
65-1-236	Screw - set - one per set	67-303	Shaft driven - Short including bearings				
65-1-243	Screw - three per set	PULLEYS for Main Drive					
65-1-271	Screw - three per set	66-93	14T	66-98	19T	66-103	24T
65-1-285	Screw - three per pulley	66-94	15T	66-99	20T	66-104	25T
65-1-291	Screw - two per bond	66-95	16T	66-100	21T	66-105	26T
65-2-176	Washer for 65-1-150	66-96	17T	66-101	22T	66-106	27T
66-19	Pulley flange - upper Driver and Driven	66-97	18T	66-102	23T	66-107	28T
66-20	Gear - Main drive						
66-109	Coupling - Main drive shaft upper body						

SAXON 5B

SPARES – PARTS LIST MOTOR GEARBOX ASSEMBLY

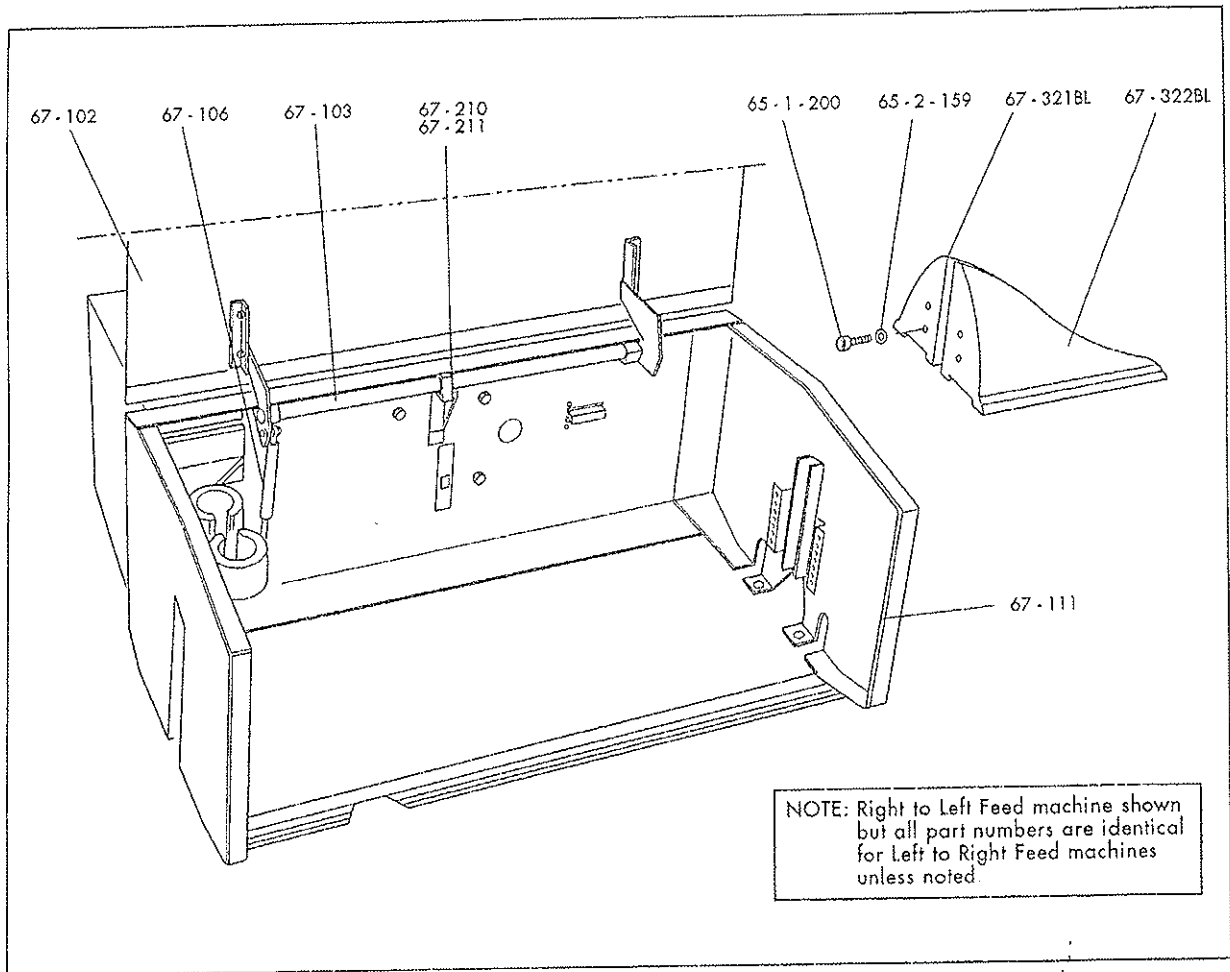


PART No.	DESCRIPTION	PART No.	DESCRIPTION
12-61	Motor/Gearbox unit complete 240V 56rpm (right or left hand)	12-85 *	Motor/Gearbox unit complete 110V 96rpm (right or left hand)
12-62	Motor/Gearbox unit complete 110V 56rpm (right or left hand)	12-86 *	Motor/Gearbox unit complete 240V 140rpm (right or left hand)
12-63	Gearbox only, 56rpm (plus oil seal and pin)	12-87 *	Motor/Gearbox unit complete 240V 140rpm (right or left hand)
12-64	Gearbox only 96rpm (plus oil seal and pin)	65-1-115	Screws (1)
12-65	Gearbox only 140rpm (plus oil seal and pin)	67-207-1	Motor mounting plate
12-84 *	Motor/Gearbox unit complete 240V 96rpm (right or left hand)	67-209-1	Locking nut
		67-208	Guide bar
		65-2-160	Washer (4)
		65-1-116	Screw (4)

* Special order only

SAXON 5B

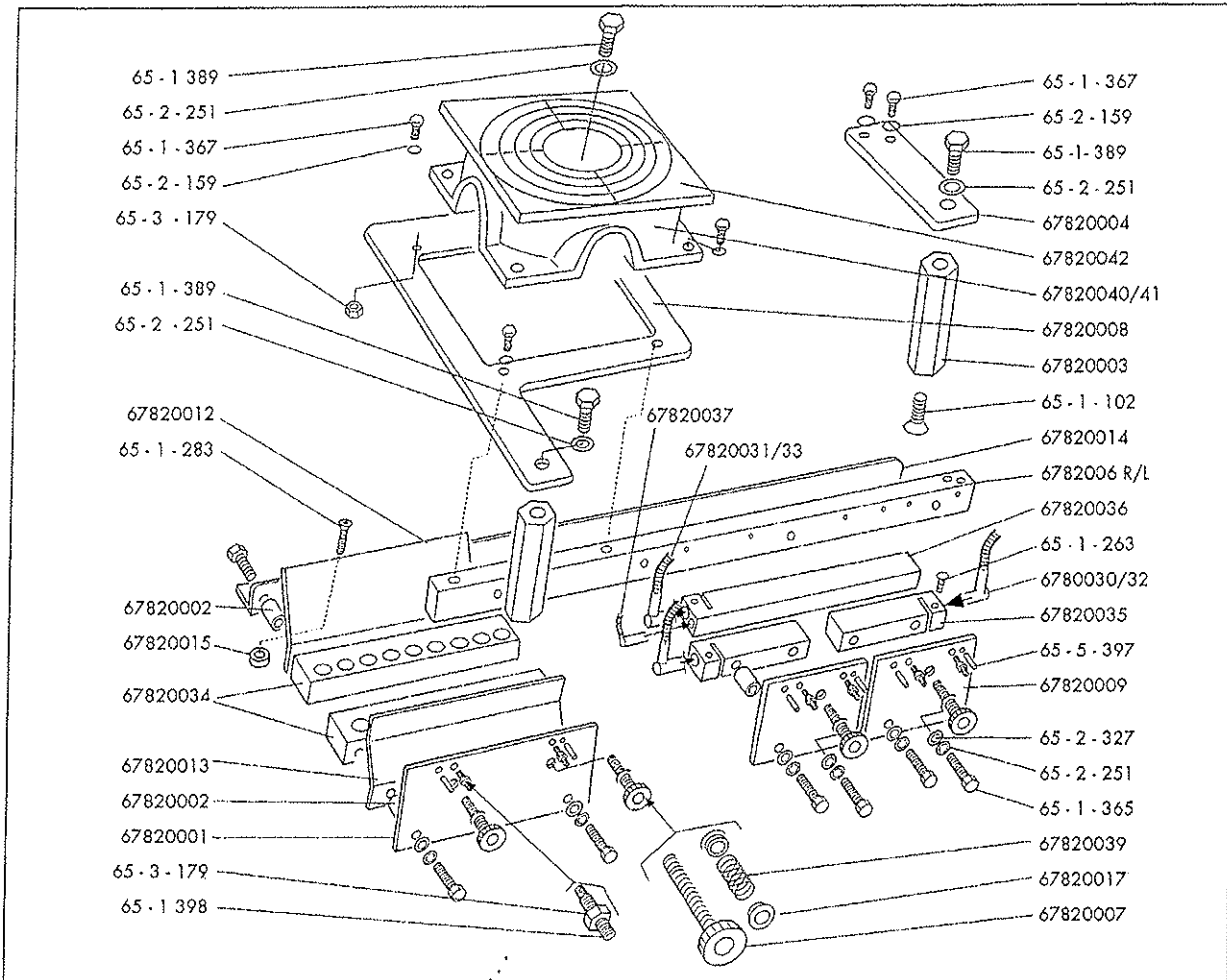
SPARES – PARTS LIST MAINFRAME



PART No.	DESCRIPTION
65-1-200	Screws – 4 per set
65-2-159	Washers – 4 per set
67-102	Cover – Hinged for mainframe
67-103	Hinge bar – Mainframe cover
67-106	Gas Strut – Mainframe cover
67-111	Edging strip – Rubber
67-321BL	Infeed plough moulding - Right hand side
67-322BL	Infeed plough moulding - Left hand side
67-210	Operating arm
67-211	Spacers

SAXON 5B

SPARES - PARTS LIST HEATING/COOLING ASSEMBLY

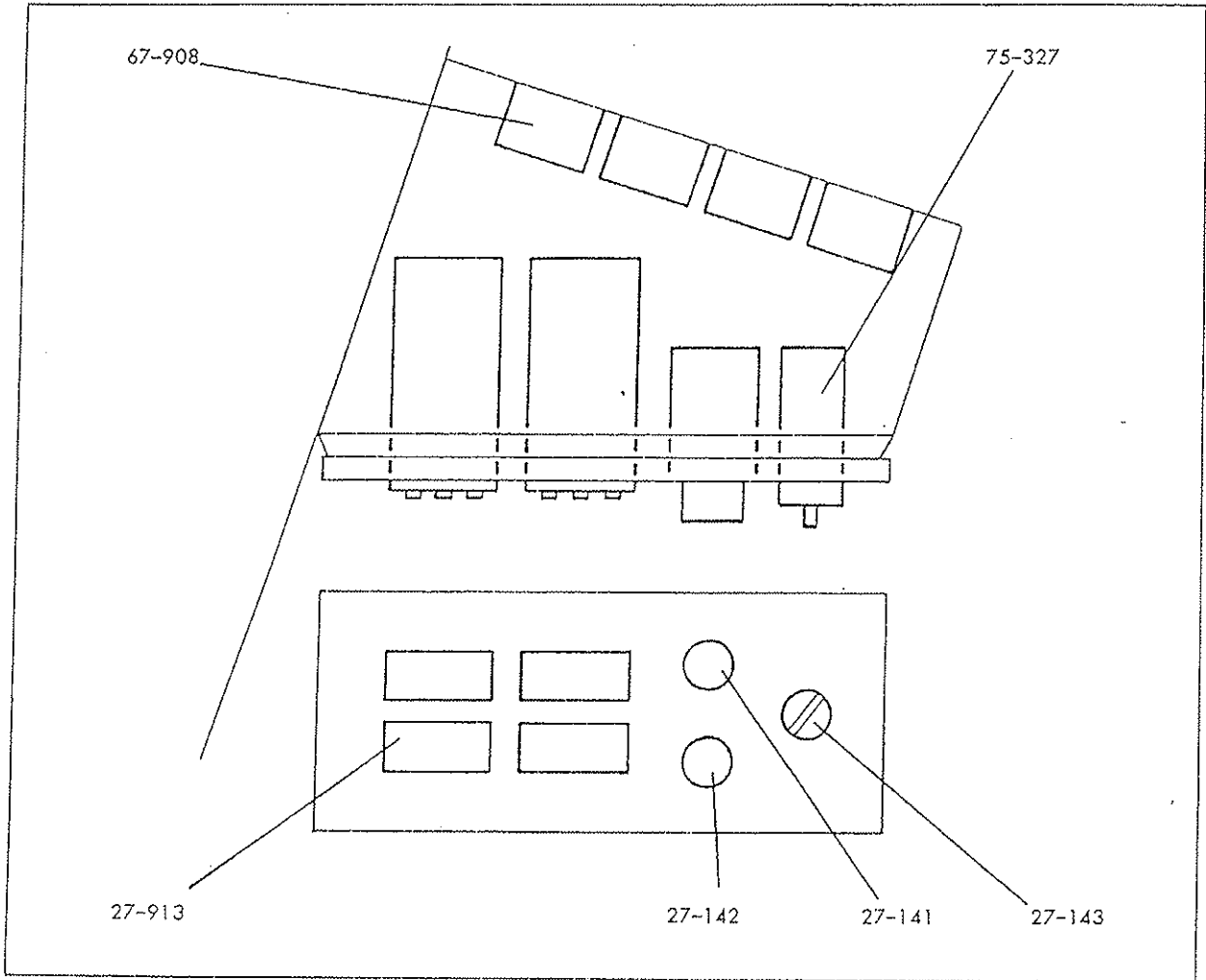


PART No.	DESCRIPTION	PART No.	DESCRIPTION
67820001	Long hinge plate	67820036	Long heater block
67820002	Heater spacer	67820037	Thermocouple
67820003	Upright pillar	67820039	Lee spring : LCM-095E-9
67820004	Hinge mounting support	67820040*	RS fan : 211 9308 (240V)
67820006R*	R.H. hinge bar	67820041*	RS fan : 211 9960 (115V)
67820006L*	L.H. hinge bar	67820042	RS fan guard - 92mm
67820007	M5 knob (Alex: 37-05-01-B)	65-1-102	M4 csk. screw
67820008	Fan mounting plate	65-1-263	M3 csk. screw
67820009	Short hinge plate	65-1-283	M4 csk. screw
67820012	Back ducting	65-1-365	M5 screw
67820013	Front ducting	65-1-367	M4 screw
67820014	Fixed block for heaters	65-1-389	M5 screw
67820015	Spacer (Hey: 0484809)	65-1-398	M4 setscrew
67820017	Should. Wash. (Hey: 0434491)	65-2-159	M4 washer
67820030*	110V small element	65-2-251	M5 washer
67820031*	110V long element	65-2-327	Nylon washer (Hey : 0110768)
67820032*	240V small element	65-5-397	Rollpin (Ø3mm x 16mm)
67820033*	240V long element	65-3-174	M4 nut
67820034	Cooling block	65-3-179	M4 nut
67820035	Short heater block		

*Optional 110V, 240V, L/H, R/H

SAXON 5B

SPARES - PARTS LIST REAR HOUSING



PART No.	DESCRIPTION
27-913	P.I.D. controller
27-141	Red push button
27-142	Yellow push button
27-143	Green select switch
75-77	Spare bulb (3)
75-327	Lampholder (3)
67-908	Solid state relay (1 per P.I.D.)