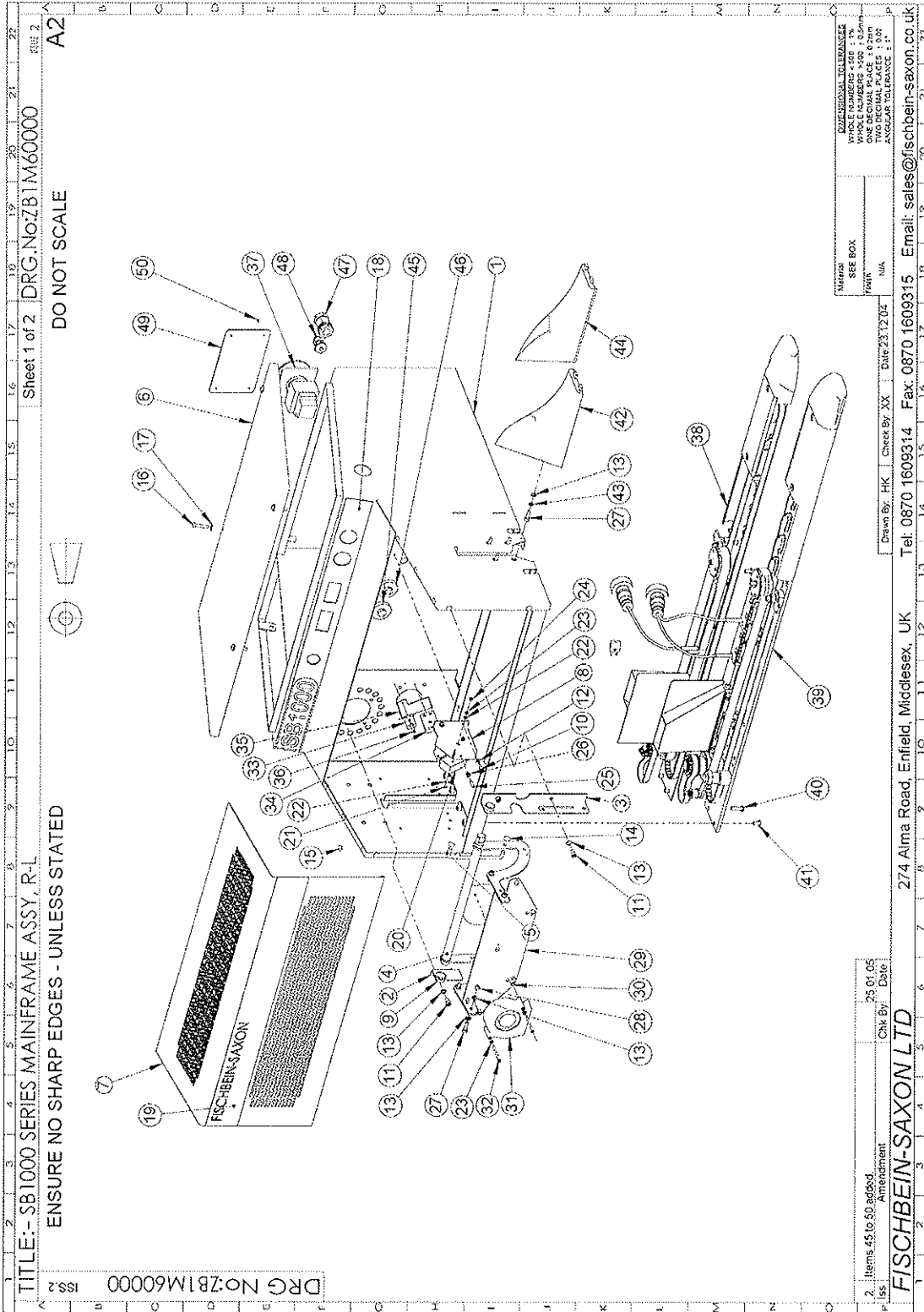


5.1 MAIN



Sheet 1 of 2 DRG.No:ZB1M60000

DO NOT SCALE

ENSURE NO SHARP EDGES - UNLESS STATED

DRG No:ZB1M60000

ISS 2

TITLE:- SB1000 SERIES MAINFRAME ASSY, R-L

ISS 2

A2

Material: SEE BOX
 Finish: N/A

Dimensional Tolerances:
 UNLESS OTHERWISE SPECIFIED:
 DIMENSIONS IN MILLIMETERS:
 FRACTIONS TO NEAREST DECIMAL PLACE: ±0.25mm
 DECIMALS TO NEAREST TWO DECIMAL PLACES: ±0.02mm
 DIMENSIONS IN INCHES:
 FRACTIONS TO NEAREST SIXTEENTH:
 DECIMALS TO NEAREST TWO DECIMAL PLACES: ±0.02mm

Drawn By: HK
 Checked By: XX
 Date: 23.12.04

274 Alma Road, Enfield, Middlesex, UK
 Tel: 0870 1609314 Fax: 0870 1609315 Email: sales@fischbein-saxon.co.uk

23.01.05
 Chk By: [Signature]
 Date: [Signature]

2. Items 45 to 50 added.
 Amendment

FISCHBEIN-SAXON LTD

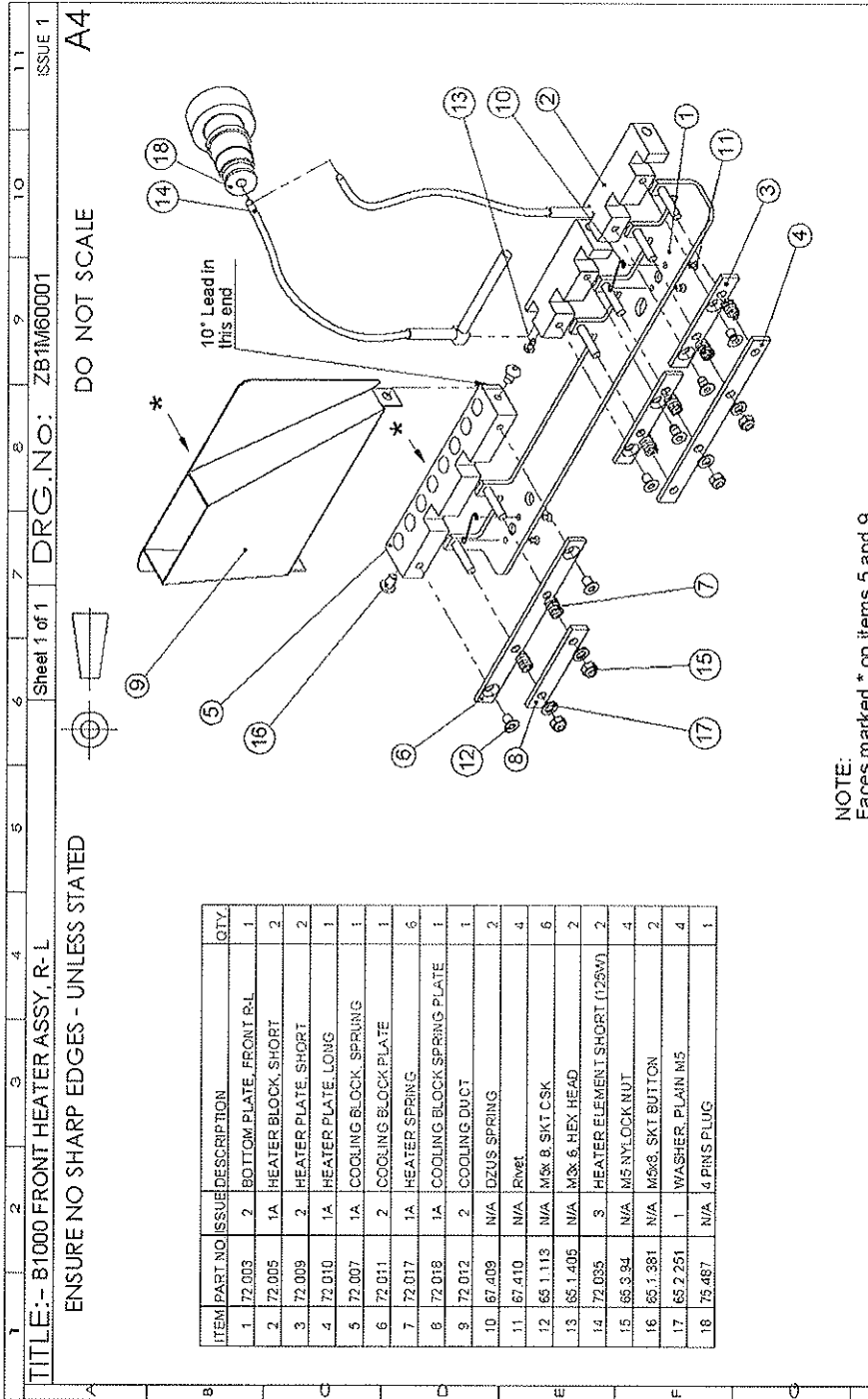
ITEM PART NO.	ISSUE DESCRIPTION	QTY	ITEM PART NO.	ISSUE DESCRIPTION	QTY
1 171.002	4 1000 SERIES MAINFRAME	1	30 172.014	1 FAN SPACER	4
2 171.026	1C HINGE BRACKET	1	31 175.292	N/A FAN	2
3 171.087	1C HINGE & STAY BRACKET	1	32 165.1.396	N/A M3 x 40 CHEESEHD	4
4 171.103	2 HINGE ASSY RH	1	33 175.461	N/A THERMOCOUPLE SOCKET J-TYPE	1
5 171.045	1 STAY	1	34 175.462	N/A THERMOCOUPLE SOCKET J-TYPE	1
6 171.024	2 REAR COVER, 1000 SERIES	1	35 172.043	1 SOCKET BRACKET	1
7 171.025	2 FRONT COVER	1	36 165.1.165	N/A M3 x 20 CHEESEHD	2
8 171.086	1B SWITCH BRACKET	1	37 27.703	N/A ISOLATOR SWITCH	1
9 171.093	N/A BEARING	2	38 ZB IM60003	2 B1000 BOTTOM PLATE RH (R-L)	1
10 165.1.258	N/A M4 x 8 CAP	2	39 ZB IM60004	2 B1000 BOTTOM PLATE LH (R-L)	1
11 165.1.270	N/A M5x10 SKT CAP	4	40 165.1.396	N/A M6 x 20 BUTTON HEAD SCREW	1
12 165.2.159	N/A M4 WASHER	2	41 165.1.272	N/A M6 x 10 BUTTON HEAD SCREW	7
13 165.2.251	1 WASHER, PLAIN M5	16	42 167.321BL	1 INFEED PLOUGH LH	1
14 165.5.422	N/A STARLOCK FASTENER 6mm	2	43 165.2.268	N/A M5 SPRING WASHER	4
15 171.098	N/A RIVET BUTTON	10	44 167.322BL	1 INFEED PLOUGH LH	1
16 165.1.417	N/A M5x8 SKT BUTTON	4	45 75.464	N/A CONNECTOR, 2 PIN	1
17 165.2.328	N/A PLASTIC WASHER	4	46 75.465	N/A CONNECTOR, 4 PIN	1
18 164.32	N/A CONTACT FSL	1	47 75.94	N/A GLAND	1
19 164.31	N/A CONTACT FSL	1	48 75.20.2	1 CABLE GLAND PG7 IP68	1
20 27.700	N/A SAFETY SWITCH	1	49 164.18	N/A RATING PLATE	1
21 165.1.167	N/A M3 x 25 CHEESEHD	1	50 167.258	N/A RIVET	4
22 162.1.158	N/A M4 WASHER	8			
23 165.2.149	N/A M4 WASHER, SPRING	6			
24 165.3.156 (M3)	N/A M4 NUT	2			
25 165.1.396	N/A M4 x 16 GRUB SCREW	1			
26 165.3.179 (M4)	N/A M4 NUT	1			
27 165.1.271	N/A M5x12 SKT CAP	8			
28 165.3.94 (M5)	N/A M5 NYLON	4			
29 172.013	1C FAN BRACKET	1			

Material	
Finish	

Amendment	Chkd By	Date	Drawn By: HK	Check By:	Date: 14.01.05
FISCHEIN-SAXON LTD. Senate House, Tyssen St., LONDON E8 2ND					

THE DRAWING IS FOR INFORMATION ONLY AND DOES NOT REPRESENT THE FINAL DESIGN. THE FINAL DESIGN SHALL BE THE DESIGN AS SHOWN ON THE DRAWING. ANY CHANGES TO THE DESIGN SHALL BE THE RESPONSIBILITY OF THE CUSTOMER. THE DRAWING IS THE PROPERTY OF FISCHEIN-SAXON LTD. AND SHALL NOT BE REPRODUCED, COPIED, OR TRANSMITTED IN ANY FORM OR BY ANY MEANS, WITHOUT THE WRITTEN PERMISSION OF FISCHEIN-SAXON LTD. Tel: (020) 7254 7132 Fax: (020) 7241 0959 Email: sales@fischein-saxon.co.uk

5.2 FRONT HEATER ASSEMBLY R-L



DIMENSIONAL TOLERANCES	
WHOLE NUMBERS	± 0.1mm
ONE DECIMAL PLACE	± 0.05mm
TWO DECIMAL PLACE	± 0.02mm
ANGULAR TOLERANCE	± 1°

NOTE:
Faces marked * on items 5 and 9
to be parallel.

Material	N/A
Finish	N/A
Drawn By: DY	Check By: Date: 09/12/04

ISSUE	Amendment	Chkd By	Date
FISCHBEIN-SAXON LTD		274 Alma Road,	EN3 7RS, UK

THIS DRAWING IS FOR INFORMATION ONLY AND SHOULD NOT BE USED FOR MANUFACTURE WITHOUT THE WRITTEN PERMISSION OF FISCHBEIN-SAXON LTD. IF YOU ONLY REQUIRE INFORMATION USE: Email: sales@fischbein-saxon.co.uk Tel: 0870 1629314 Fax: 0870 1629315

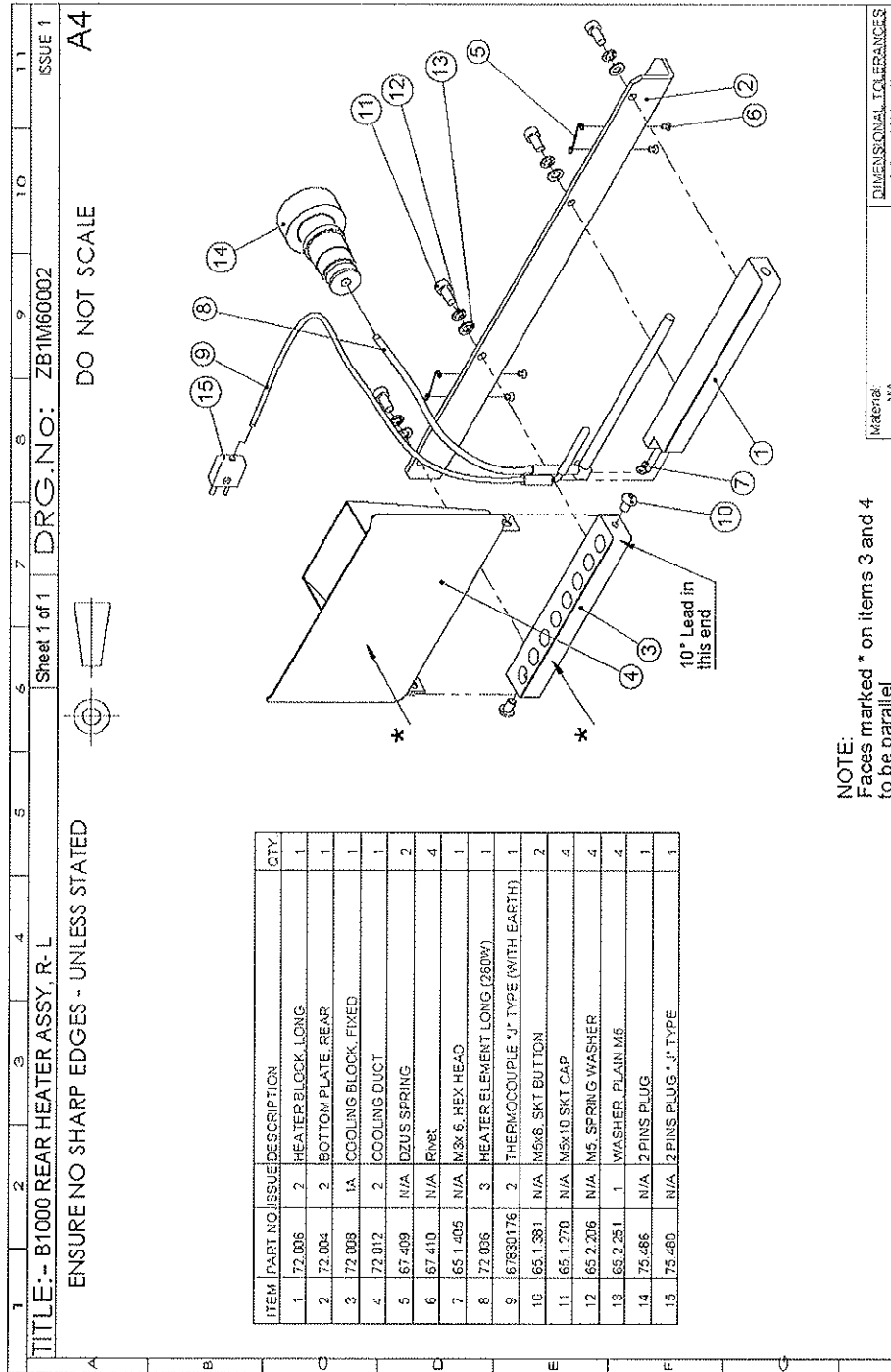
TITLE: - B1000 FRONT HEATER ASSY, R-L
Sheet 1 of 1 DRG.No: ZB1M60001
ISSUE 1

DO NOT SCALE

ENSURE NO SHARP EDGES - UNLESS STATED

ITEM	PART NO	ISSUE	DESCRIPTION	QTY
1	72 003	2	BOTTOM PLATE, FRONT R-L	1
2	72 005	1A	HEATER BLOCK, SHORT	2
3	72 009	2	HEATER PLATE, SHORT	2
4	72 010	1A	HEATER PLATE, LONG	1
5	72 007	1A	COOLING BLOCK, SPRING	1
6	72 011	2	COOLING BLOCK, PLATE	1
7	72 017	1A	HEATER SPRING	6
8	72 018	1A	COOLING BLOCK SPRING PLATE	1
9	72 012	2	COOLING DUCT	1
10	67 409	N/A	OZUS SPRING	2
11	67 410	N/A	Rivet	4
12	65 1 113	N/A	M3x 8 SKT CSK	6
13	65 1 406	N/A	M3x 6 HEX HEAD	2
14	72 035	3	HEATER ELEMENT SHORT (128W)	2
15	65 3 34	N/A	M5 NYLOCK NUT	4
16	65 1 381	N/A	M3x8 SKT BUTTON	2
17	65 2 251	1	WASHER, PLAIN M5	4
18	75 487	N/A	4 PINS PLUG	1

5.3 REAR HEATER ASSEMBLY R-L



DO NOT SCALE

A4

TITLE: B1000 REAR HEATER ASSY, R-L
 Sheet 1 of 1
 DRG.NO: ZB1M60002
 ISSUE 1

ENSURE NO SHARP EDGES - UNLESS STATED

ITEM	PART NO./ISSUE	DESCRIPTION	QTY
1	72.006	2 HEATER BLOCK LONG	1
2	72.004	2 BOTTOM PLATE, REAR	1
3	72.008	1A COOLING BLOCK, FIXED	1
4	72.012	2 COOLING DUCT	1
5	67.409	N/A IDZUS SPRING	2
6	67.410	N/A Rivet	4
7	65.1.405	N/A M3X.5, HEX HEAD	1
8	72.006	3 HEATER ELEMENT LONG (2800V)	1
9	67530176	2 THERMOCOUPLE 'J' TYPE (WITH EARTH)	1
10	65.1.391	N/A M5X6, SKT BUTTON	2
11	65.1.270	N/A M5X10 SKT CAP	4
12	65.2.206	N/A M5 SPRING WASHER	4
13	65.2.251	1 WASHER, PLAIN M5	4
14	75.466	N/A 2 PINS PLUG	1
15	75.460	N/A 2 PINS PLUG 'J' TYPE	1

NOTE:
 Faces marked * on items 3 and 4
 to be parallel.

DIMENSIONAL TOLERANCES	
HOLE DIMENSIONS	+0.05mm +0.1x
SHAFT DIMENSIONS	+0.05mm +0.05mm
ONE DECIMAL PLACE	+0.05mm
TWO DECIMAL PLACES	+0.02mm
ANGULAR TOLERANCE	± 1°

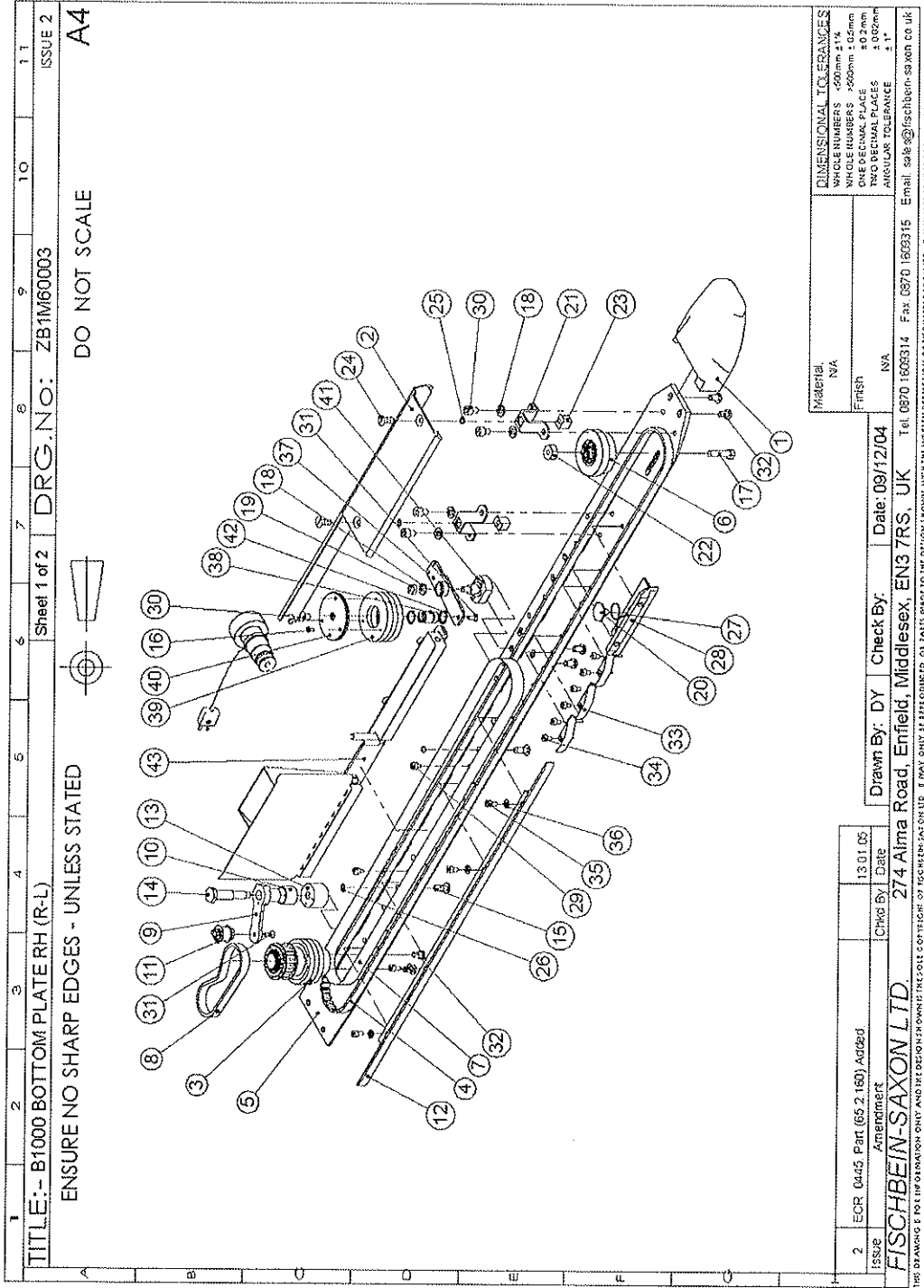
Materials: N/A
 Finish: N/A

Drawn By: DY
 Check By: DY
 Date: 09/12/04

274 Alma Road, Enfield, Middlesex, EN3 7RS, UK
 Tel: 0870 1609314 Fax: 0870 1609315
 Email: sales@fischbein-saxon.co.uk

FISCHBEIN-SAXON LTD. ALL RIGHTS RESERVED. IT MAY ONLY BE REPRODUCED, OR PARTS THEREOF, WITHOUT THE WRITTEN PERMISSION OF FISCHBEIN-SAXON LTD. IT MAY NOT BE USED FOR ANY OTHER PURPOSE WHATSOEVER.

5.4 BOTTOM PLATE RH



TITLE:- B1000 BOTTOM PLATE RH (R-L) Sheet 2 of 2 DRG.No: ZB1M60003

ENSURE NO SHARP EDGES - UNLESS STATED



DO NOT SCALE

A4

ITEM PART NO.	ISSUE	DESCRIPTION	QTY	TEMP PART NO	ISSUE	DESCRIPTION	QTY
1	67.917	1	INFEED VEE MOLDING - RH SIDE	1	28	71.031	1
2	67.919	4	BELT GUARD RH	1	29	72.038	1
3	72.101	1A	DRIVE PULLEY ASSEMBLY	1	30	65.1.241	N/A
4	60.21	N/A	BELT CARRYING	1	31	65.1.269	N/A
5	71.030	2	BOTTOM PLATE SAXON 1000 RH	1	32	65.1.272	N/A
6	67.983	5	FLAN PULLEY	1	33	71.084.1	2
7	60.94.1	1	HEATER BAND	1	34	65.1.273	N/A
8	60.90	N/A	DRIVE BELT (130XL)	1	35	65.1.298	N/A
9	60.112	7	ARM, IDLER PULLEY	1	36	65.2.199	N/A
10	67.925	1	SPRING	1	37	72.021	1B
11	66.116	8	TENSION PULLEY ASSEMBLY	1	38	72.023	1A
12	72.037	2	REAR PRESSURE PLATE	1	39	72.024	1A
13	72.041	2	TENSIONER BLOCK ASSY	1	40	72.025	1A
14	72.039	2	HIRGE BOLT - LONG (for Pulley)	1	41	72.022	1A
15	13.11.11	N/A	DZUS STUD	2	42	65.5.132	N/A
16	65.1.161	N/A	M3X6, SLTCHRESEHD	3	43	ZB1M60002	1
17	65.1.168	N/A	M6 X 25 HEX HEAD SCREW	1			
18	65.2.160	N/A	M8 PLAIN WASHER	5			
19	65.3.151	N/A	M6 NYLON NUT	1			
20	67.2310	4	COLLAR STUD, SPRING MOUNT	1			
21	67.216	3	BPACKET, BELT GUARD FASTENER	2			
22	67.924	3	NUT, SPECIAL FOR TENSION PULLEYS	1			
23	67.930	N/A	DZUS RECEPTACLE	2			
24	67.931	N/A	DZUS F.M.50 XFC	2			
25	67.932	N/A	DZUS RETAINING RING	2			
26	67.934	N/A	DZUS STUD RETAINER	2			
27	67.982	N/A	TORSION SPRING	1			

Material: N/A
 Finish: N/A

Dimensional Tolerances:
 WHOLE NUMBERS: ±0.2mm
 WHOLE NUMBERS >50mm: ±0.5mm
 ONE DECIMAL PLACE: ±0.2mm
 TWO DECIMAL PLACE: ±0.02mm
 ANGULAR TOLERANCE: ±1°

Drawn By: DY
 Check By: Date: 09/12/04
 Enfield, Middlesex, EN3 7RS, UK
 Tel: 0870 1603014 Fax: 0870 1603015 Email: sales@fischbein-saxon.co.uk

2 ECR 0445 Part (65.2.160) Added 13/01/05
 Issue Amendment: Date: 13/01/05
 Fischbein-Saxon Ltd 274 Alma Road, Enfield, Middlesex, EN3 7RS, UK
 THE DRAWING IS THE PROPERTY OF FISCHBEIN-SAXON LTD. IT MAY NOT BE REPRODUCED, COPIED, PARTIALLY REPRODUCED, OR PARTIALLY REPRODUCED WITHOUT THE WRITTEN PERMISSION OF FISCHBEIN-SAXON LTD.

5.5 BOTTOM PLATE LH

1	2	3	4	5	6	7	8	9	10	11
TITLE: - B1000 BOTTOM PLATE LH (R-L) DRG.NO: ZB1M60004 ISSUE 2										
ENSURE NO SHARP EDGES - UNLESS STATED DO NOT SCALE										
DIMENSIONAL TOLERANCES: WHOLE NUMBERS: $\pm 0.50\text{mm} \pm 1.5^\circ$ ONE DECIMAL PLACE: $\pm 0.25\text{mm} \pm 0.5^\circ$ TWO DECIMAL PLACES: $\pm 0.02\text{mm} \pm 0.1^\circ$ ANGULAR TOLERANCE: $\pm 1'$										
Material: N/A Finish: N/A										
Drawn By: DY Check By: Date: 16/12/04										
274 Alma Road, Enfield, Middlesex, EN3 7RS, UK Tel: 0870 1609314 Fax: 0870 1609315 Email: ps@fischbein-saxon.co.uk										
THE DRAWING IS FOR INFORMATION ONLY AND THE DESIGN IS THE PROPERTY OF FISCHBEIN-SAXON LTD. IT MAY NOT BE REPRODUCED OR TRANSMITTED IN ANY FORM OR BY ANY MEANS WITHOUT THE WRITTEN PERMISSION OF FISCHBEIN-SAXON LTD. IT MAY NOT BE USED FOR ANY OTHER PURPOSE WITHOUT THE WRITTEN PERMISSION OF FISCHBEIN-SAXON LTD.										

TITLE: - B1000 BOTTOM PLATE LH (R- L) Sheet 2 of 2 DRG.No: ZBTM60004 ISSUE 2

ENSURE NO SHARP EDGES - UNLESS STATED



DO NOT SCALE

A4

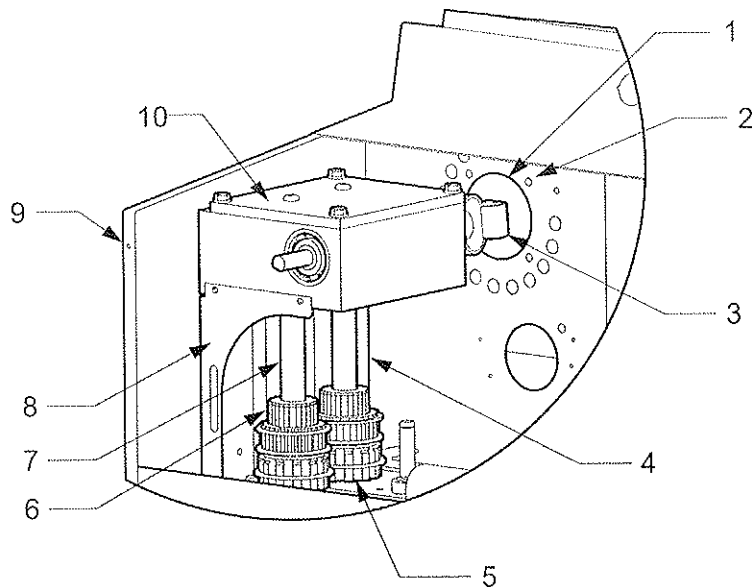
ITEM	PART NO.	ISSUE DESCRIPTION	QTY	ITEM	PART NO	ISSUE DESCRIPTION	QTY
1	71.081	2. BOTTOM PLATE, SAXON, 1000 LH	1	28	67.331	N/A	2
2	67.318	6. INFEED VEE MOULDING - LH SIDE	1	29	67.332	N/A	2
3	67.320	5. BELT GUARD LH	1	30	65.1.272	N/A	6
4	72.101	1A. DRIVE PULLEY ASSEMBLY	1	31	13.11.11	N/A	2
5	50.21	N/A. BELT CARRYING	1	32	67.334	N/A	2
6	67.363	5. PLAIN PULLEY	1	33	71.084.1	3	12
7	50.94.1	1. HEATER BAND	1	34	72.025	1A	1
8	50.90	N/A. DRIVE BELT (130X1)	1	35	72.024	1A	1
9	66.112	7. ARM, IDLER PULLEY	1	36	72.022	1A	1
10	66.177	1. SPRING	1	37	72.023	1A	1
11	66.116	6. TENSION PULLEY ASSEMBLY	1	38	72.021	1B	1
12	65.1.265	N/A. SCREW, SKT CSK M4x8	2	39	25.1M60061	1	1
13	72.039	2. HINGE BOLT-LONG (Idler Pulley)	1	40	65.5.152	N/A	2
14	72.041	2. TENSIONER BLOCK ASSY	1				
15	72.036	1. LOCATING DOWEL PIN	2				
16	65.1.161	N/A. M3x6, SLT CHEESEHD	3				
17	65.3.151	N/A. M6 NYLON NUT	1				
18	65.1.241	N/A. M6 X 8 CAP HEAD SCREW	5				
19	67.2310	4. COLLAR STUD, SPRING MOUNT	1				
20	67.316	3. BRACKET BELT GUARD FASTENER	2				
21	67.350	N/A. DZUS RECETACLE	2				
22	67.324	3. NUT, SPECIAL FOR TENSION RULLEYS	1				
23	67.382	N/A. TORSION SPRING	1				
24	71.091	1. INFEED PRESSURE PLATE (CS)	1				
25	65.1.166	N/A. M6 X 25 HEX HEAD SCREW	1				
26	65.2.160	N/A. M6 PLAIN WASHER	5				
27	65.1.273	N/A. M4x6 CAP	24				

MATERIAL	N/A
FINISH	N/A
DIMENSIONAL TOLERANCES	
UNSCREWED	< 30mm ± 0.2mm
UNSCREWED	> 30mm ± 0.3mm
ONE DECIMAL PLACE	± 0.2mm
TWO DECIMAL PLACES	± 0.02mm
ANGULAR TOLERANCE	± 1°

Drawn By: DY Check By: Date: 16/12/04
 274 Alma Road, Enfield, Middlesex, EN3 7RS, UK
 Tel: 0870 1629314 Fax: 0870 1609315 Email: sales@fischbein-saxon.co.uk

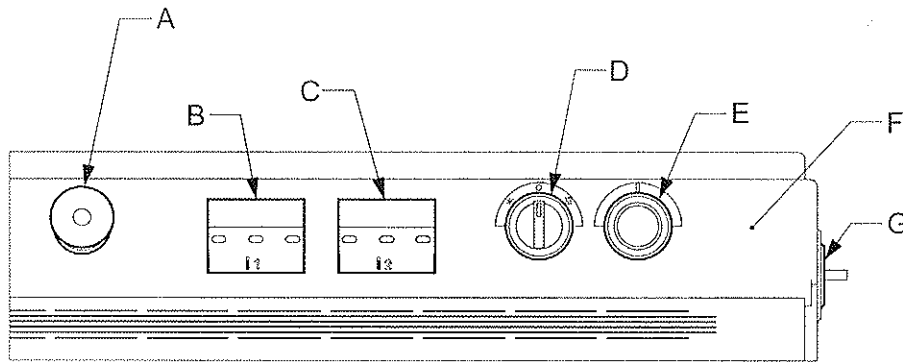
2	ECP 0445 Part (65.2.160) Accepted	13.01.05
ISSUE	Amendment	Chgd By
FISCHBEIN-SAXON LTD		

5.6 MAIN DRIVE



Item	Part No	Description	Quantity
1	12.200	Motor	1
2	65.1.296	Motor Fixing	4
3	71.023	Coupling	1
4	71.028	Gearbox Bracket RH	1
5	71.013	Drive Pulley	2
6	71.014	Auxiliary Drive Pulley	2
7	71.063.1	Key	2
8	71.027	Gearbox Bracket LH	1
9	71.098	Rivet Button	10
10	71.101.14	Gearbox – Ratio 14:1 (speed range 9.4 - 23.1 m/min)	1
	71.101.22	Gearbox – Ratio 22:1 (speed range 6.2 - 14.5 m/min)	1
	71.101.50	Gearbox – Ratio 50:1 (speed range 2.7 - 6.5 m/min)	1

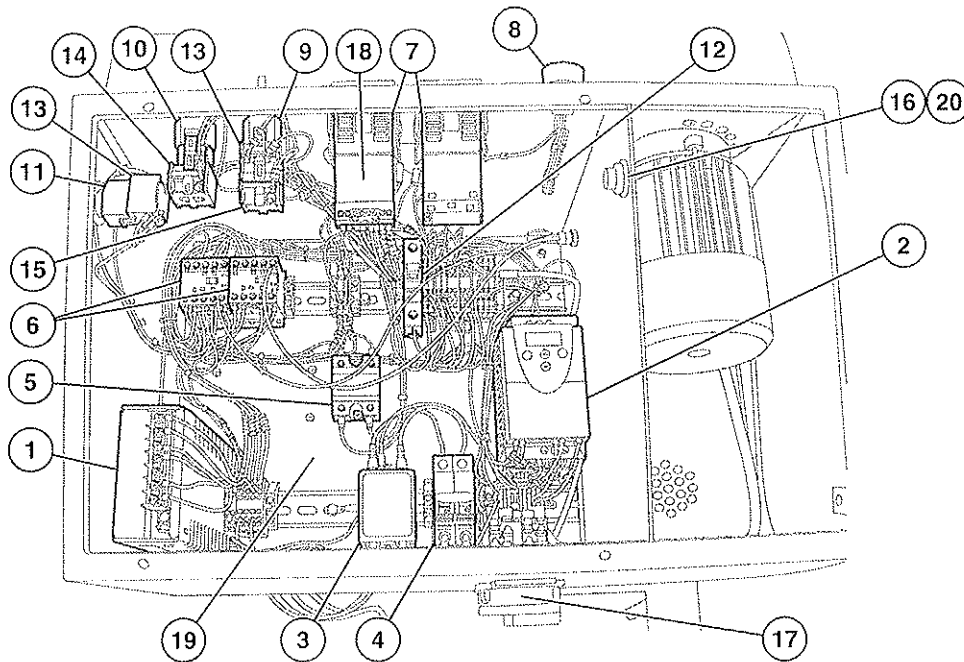
5.7 CONTROL PANEL



Item	Part No	Description
A	27.809	E Stop
B	27.913	PID
C	67-913	PID Controller (SEE NOTE)
D	27.801	Cool/Off/Seal
E	27.800	On switch
F	27.315.4	Speed (if fitted)
G	27.802	Column Switch

NOTE If only one Thermocouple is fitted, PID 'C' will be a dummy and will not show any display.

5.8 REAR HOUSING



Item	Part No	Description	Quantity
1	27.701	Power Supply	1
2	27.706	Inverter – Altival II (240v)	1
	27.707	Inverter – Lenze (230v)	1
	27.708	Inverter – Lenze (115v)	1
3	27.914	Filter 20A	1
4	27.705	MCB 10A	1
5	67.908.3	SSR	Quantity dependant on M/C type
6	27.199	Contactor	
7	27.913	PID	
8	27.809	E Stop	1
9	27.801	Cool – Off Seal	1
10	27.800	On Button	1
11	27.802	Column Switch (only when sealer is mounted on the column)	1
12	27.704	MCB1A	1
13	27.805	N/o Contact Block	2
14	27.803	N/o Contact Block	1
15	27.804	N.c Contact Block	1
16	27.315.4	Speed Control (when fitted internally)	1
17	27.703	Isolator Switch	1
18	27.913.1	PID Blank	1
19	71.035	Chassis Plate	1
20	27.315.3	Potentiometer (when fitted internally)	1