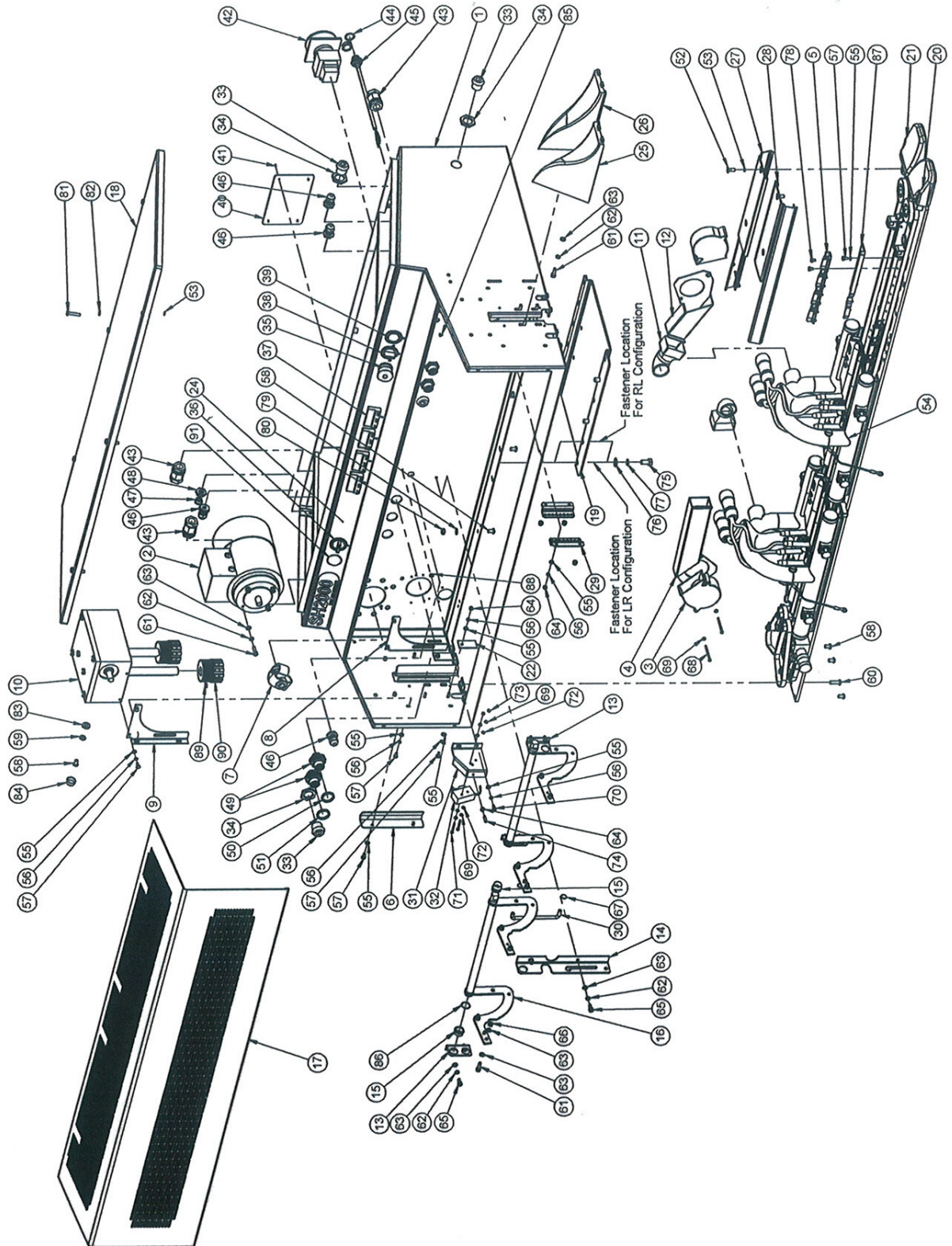


9 PARTS and SPARES

9.1 Mainframe Assembly



SH2000

PARTS / SPARES

9.1.1 Mainframe Assembly Parts List

ITEM PART NO.	ISSUE	DESCRIPTION	QTY	ITEM PART NO.	ISSUE	DESCRIPTION	QTY
1	73.002	8 MAINFRAME, 2000	1	35	127.809	N/A	E STOP
2	12.200	N/A	1	36	127.802	N/A	COLUMN SWITCH
3	75.292	N/A	2	37	127.801	N/A	PID (See Note)
4	71.032	1 FAN DUCT RL	1	38	127.801	N/A	COOL OFF SWITCH
5	71.084.3	1 PRESSURE SPRING, RL (LR CONFIG.)	4	39	127.800	N/A	ON BUTTON
6	73.003	5 OUTPUT GUIDE	2	40	164.18	N/A	RATING PLATE
7	73.023	N/A	1	41	167.238	N/A	RIVET
8	71.027	3 BRACE LH	1	42	167.203	N/A	ISOLATOR SWITCH
9	71.028	3 BRACE RH	1	43	75.94	N/A	GLAND (WD)
10	71.101.22	9 GEARBOX ASSY (22:1)	1	44	75.20.5	N/A	GLAND (WD)
11	71.003	1A AIR DUCT CONNECTOR	1	44	75.300.2	N/A	SEALING CAP
12	73.032	2 FAN DUCT SHORT	2	45	75.302.2	2	COLUMN CABLE ASSEMBLY (2005)
13	71.026.10	3 HINGE BRACKET, SHORT	1	46	75.20.2	N/A	CABLE GLAND PG7 (P68)
14	71.087	1C HINGE & STAY BRACKET	3	47	75.358	N/A	BLANKING PLUG (PG7)
15	71.095	N/A	1	48	75.367	N/A	LOCKNUT (PG7)
16	71.103	5 HINGE ASSY RH	4	49	75.525	N/A	SOCKET, 8 WAY
17	73.025	2 FRONT COVER, 2000	2	50	75.528	N/A	COLOUR CODING RING (VEL)
18	73.024	2 REAR COVER, 2000	1	51	75.529	N/A	COLOUR CODING RING (RED)
19	73.096	2 MOUNTING BRACKET, 2000	1	52	167.331	N/A	1/4 TURN FASTENER
20	ZH2M600004	2 SH2000 BOTTOM PLATE LH, RL	1	53	167.332	N/A	RETAINING RING
21	ZH2M600003	2 SH2000 BOTTOM PLATE RH, RL	1	54	ZH1M600055	1	DUCT & CAPSULE ASSY 240V
22	73.013	1 COVER, BELT SLOT	2	55	65.2.159	N/A	M4 WASHER
23	71.284.3	1 PRESSURE SPRING, LR (LR CONFIG.)	1	56	65.2.249	N/A	M4 WASHER, SPRING
24	64.133	2 SH2000 LABEL	1	57	65.1.355	N/A	M6 x 10, BUTTON HEAD SCREW
25	67.321BL	1 INFEED PLOUGH RH	1	58	65.1.272	N/A	M6 PLAIN WASHER
26	67.322BL	1 INFEED PLOUGH LH	1	59	652160	N/A	M6 x 20, BUTTON HEAD SCREW
27	67.1340	4 BELT GUARD RH (SAXON 5HD)	1	60	65.1.336	N/A	M5x16 SKT CAP
28	67.1341	5 BELT GUARD LH (SAXON 5HD)	1	61	65.1.271	N/A	M5, SPRING WASHER
29	73.004	1 BRACKET, BAG GUIDE	1	62	65.2.206	N/A	WASHER, PLAIN M5
30	71.045	2 STAY	2	64	65.3.179	N/A	M4 NUT
31	71.066	1B SWITCH BRACKET	1	65	65.1.270	N/A	M5x10 SKT CAP
32	27.700	N/A	1	66	65.3.94	N/A	M5 NYLOCK NUT
33	75.361	N/A	1	67	65.5.422	N/A	STARLOCK FASTENER 6mm
34	75.362	N/A	5	68	65.1.338	N/A	M3 x 40 CHEESEHEAD
				69	65.2.149	N/A	M3 WASHER, SPRING

Item 37.

Programmed PIDs are Pt No 27.933.6*

Dummy PIDs are Pt No 27.933.1

27.913 is the Pt No for an unprogrammed PID.

* For PID with 'F' display, use part number suffix "F".

NOTE:

1. PARTS FOR WASHDOWN MACHINE

AS ABOVE UNLESS STATED WITH

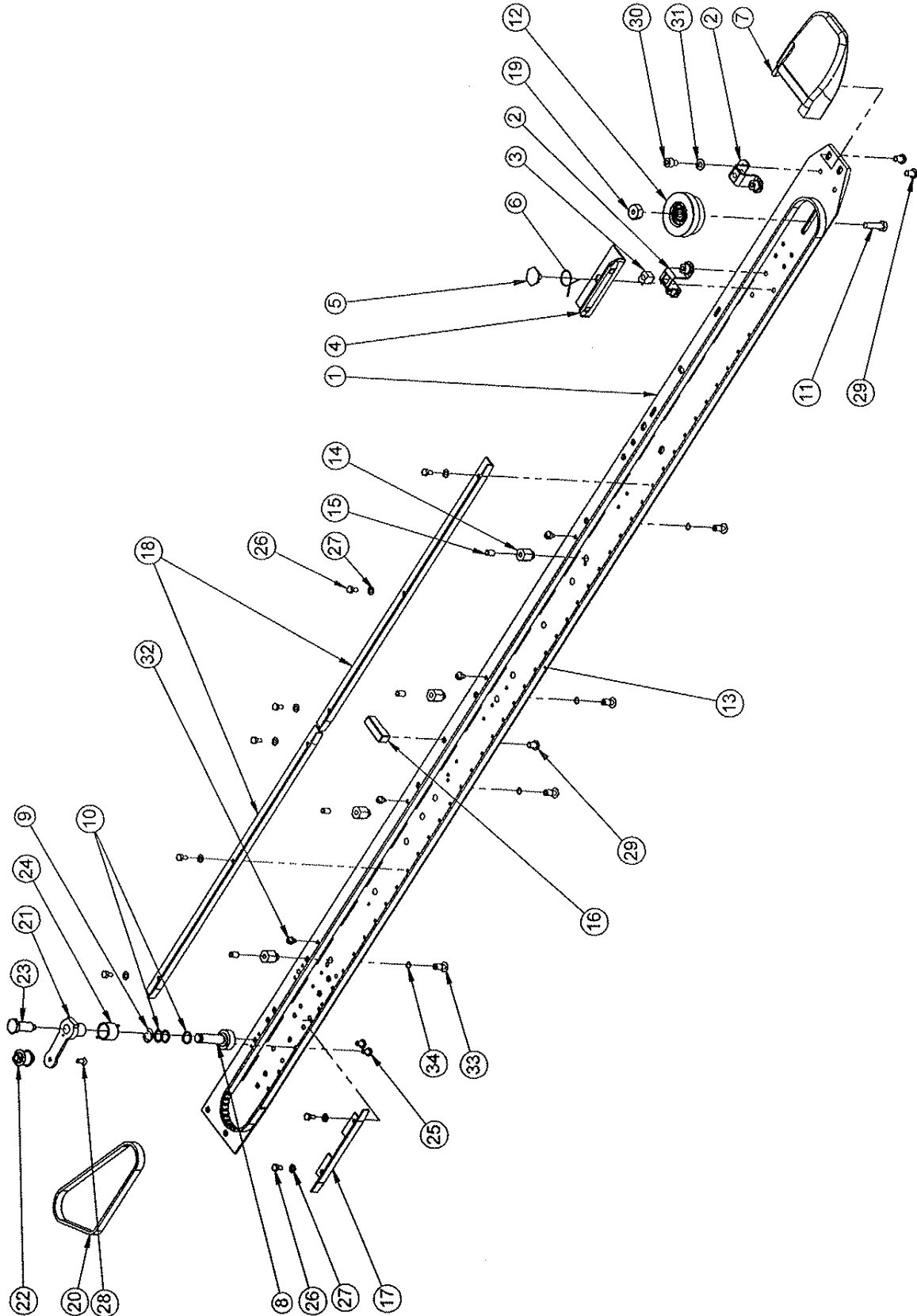
"(WD)"

2. PARTS FOR LR CONFIGURATION

MACHINE AS ABOVE UNLESS

STATED WITH "(LR CONFIG.)".

9.2 Bottom Plate RH Assembly

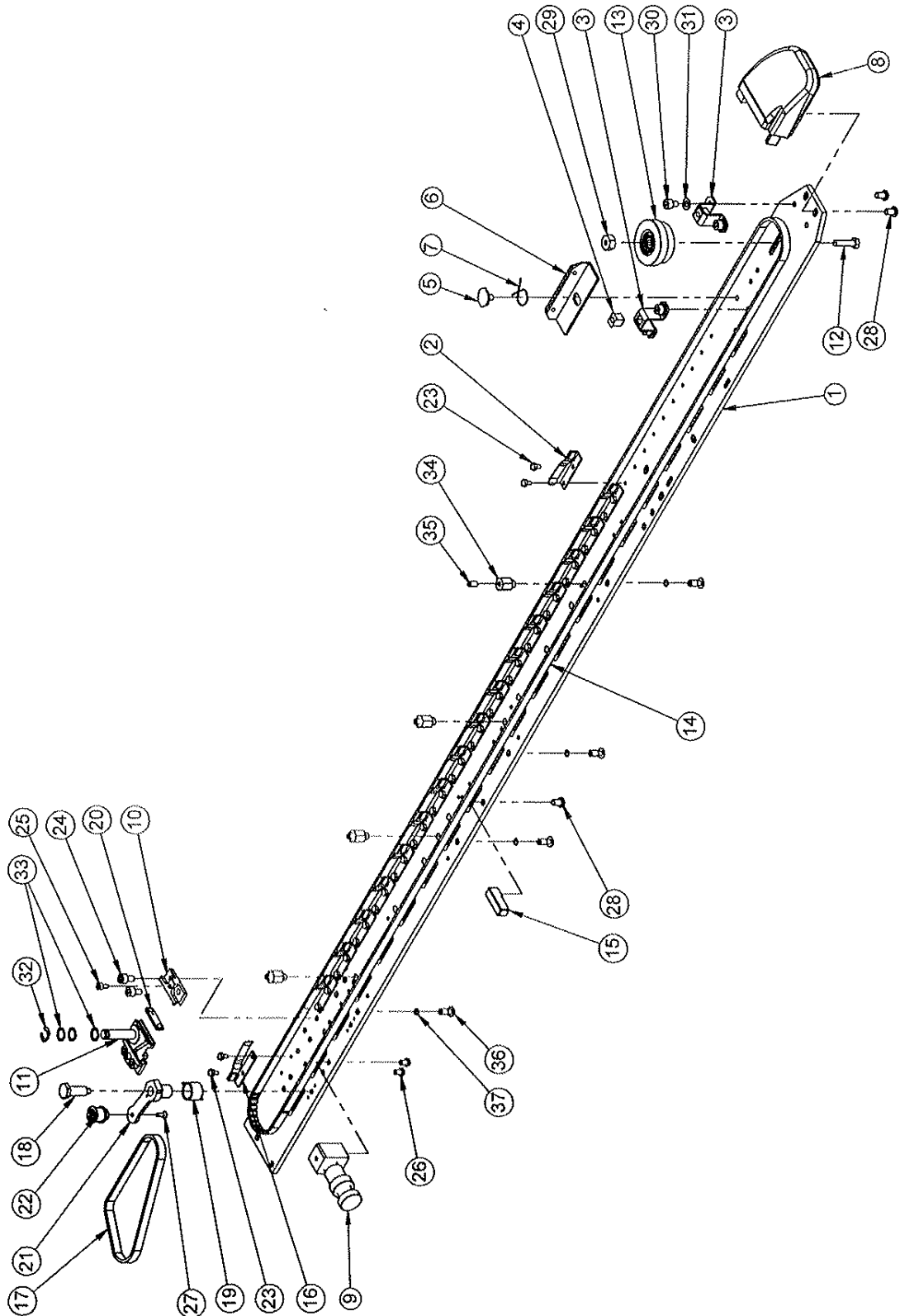


9.2.1 Bottom Plate RH Assembly Parts List

ITEM	PART NO.	ISSUE	DESCRIPTION	QTY	ITEM	PART NO.	ISSUE	DESCRIPTION	QTY
1	73.080	5	BOTTOM PLATE, 2000, STD, RH	1	14	67.361	3	ADJUSTER BODY	4
	73.080SS		BOTTOM PLATE, RH (WD)		15	65.1.144	N/A	M6 x 10 GRUB SCREW	4
	73.180		EXTENDED BOTTOM PLATE, RH (Ext. B. Plate)		16	73.011	1	BRACE BLOCK	1
	73.180SS		EXTENDED BOTTOM PLATE, RH (Ext. B. Plate) (WD)		17	73.085	2	REAR GUIDE, SHORT	1
	73.081		BOTTOM PLATE, 2000, STD, LH (LR CONFIG.)		18	73.086	2	REAR GUIDE, LONG	2
	73.081SS		BOTTOM PLATE, LH (WD) (LR CONFIG.)		19	67.324	3	NUT, SPECIAL FOR TENSION PULLEYS	1
	73.181		EXTENDED BOTTOM PLATE, LH (Ext. B. Plate) (LR CONFIG.)		20	50.93	N/A	DRIVE BELT (140XL)	1
	73.181SS		EXTENDED BOTTOM PLATE, LH (Ext. B. Plate) (WD) (LR CONFIG.)		21	66.112	7	ARM, IDLER PULLEY	1
					22	66.116	8	TENSION PULLEY ASSEMBLY	1
2	67.316	3	BRACKET, BELT GUARD FASTENER	2	66.116SS			TENSION PULLEY ASSEMBLY (WD)	
3	67.330	N/A	DZUS RECEPTACLE	2	23	66.115	9	HINGE BOLT (Idler Pulley)	1
4	71.091.1	1	INFEED PRESSURE PLATE (CS)	1	24	66.177	1	SPRING LH	1
5	67.2310	4	COLLAR STUD, SPRING MOUNT	1	25	65.1.381	N/A	M5x8, SKT BUTTON	2
6	67.382	N/A	TORSION SPRING	1	26	65.1.355	N/A	M4 x 8 HEX BOLT	8
7	67.317BL	7	INFEED VEE MOULDING RH SIDE	1	27	65.2.159	N/A	M4 WASHER	8
	67.318BL		INFEED VEE MOULDING RH (LR CONFIG.)		28	65.1.265	N/A	SCREW, SKT CSK M4x8	1
8	71.067	2	PRESSURE WHEEL SHAFT FIXED (CS)	1	29	65.1.272	N/A	M6 x 10, BUTTON HEAD SCREW	3
9	65.5.442	N/A	10mm ST. STEEL CIRCLIP	1	30	65.1.241	N/A	M6 x 8 CAP HEAD SCREW	4
10	67830175	2	SHIM WASHER	3	31	652160	N/A	M6 PLAIN WASHER	4
11	65.1.168	N/A	M6 x 25 HEX HEAD SCREW	1	32	72.038	1	LOCATING DOWEL PIN	4
12	67.363	5	PLAIN PULLEY	1	33	13.11.11	N/A	DZUS STUD	4
	67.363SS		PLAIN PULLEY (WD)		34	67.334	N/A	DZUS STUD RETAINER	4
13	50.47	N/A	BELT, CARRYING, SAXON 10	1					
	50.9		BELT, CARRYING (Extended B. Plate)						

- NOTE:
- PARTS FOR WASHDOWN MACHINE AS ABOVE UNLESS STATED WITH "(WD)".
 - PARTS FOR EXTENDED BOTTOM PLATE MACHINE AS ABOVE UNLESS STATED WITH "(Ext. B. Plate)".
 - PARTS FOR LR CONFIGURATION MACHINE AS ABOVE UNLESS STATED WITH "(LR CONFIG.)".

9.3 Bottom Plate LH Assembly

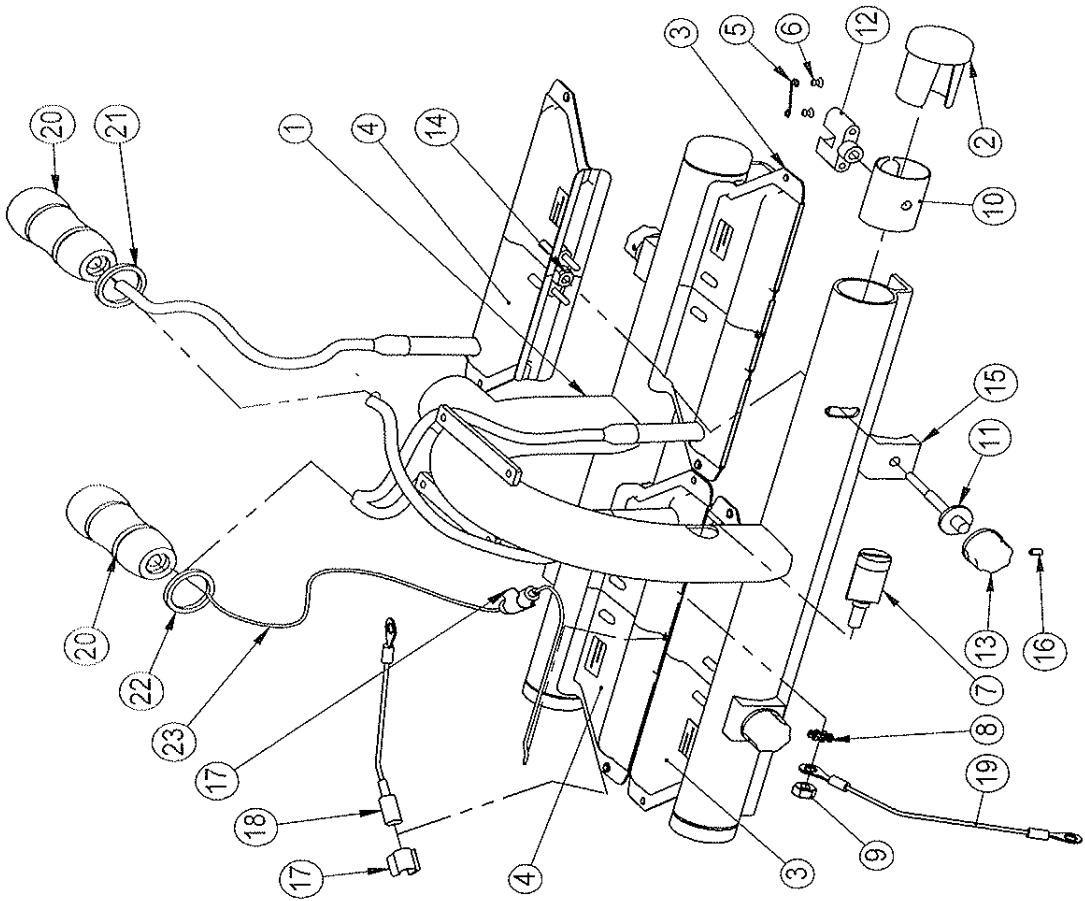


9.3.1 Bottom Plate LH Assembly Parts List

ITEM	PART NO.	ISSUE	DESCRIPTION	QTY.	ITEM	PART NO.	ISSUE	DESCRIPTION	QTY.
1	73.081	5	BOTTOM PLATE, 2000, STD LH	1	14	50.47	N/A	BELT, CARRYING, SAXON 10	1
	73.081SS		BOTTOM PLATE, LH (WD)			50.9		BELT, CARRYING (Extended B. Plate)	
	73.181		EXTENDED BOTTOM PLATE, LH (Ext. B. Plate)		15	73.011	1	BRACE BLOCK	1
	73.181SS		EXTENDED BOTTOM PLATE, LH (Ext. B. Plate) (WD)		16	71.284.3	1	PRESSURE SPRING, LR	1
	73.080		BOTTOM PLATE, 2000, STD RH (LR CONFIG.)			71.084.3		PRESSURE SPRING, RL (LR CONFIG.)	
	73.080SS		BOTTOM PLATE, RH (WD) (LR CONFIG.)		17	50.93	N/A	DRIVE BELT (140XL)	1
	73.180		EXTENDED BOTTOM PLATE, RH (Ext. B. Plate) (LR CONFIG.)		18	66.115	9	HINGE BOLT (Idler Pulley)	1
	73.180SS		EXTENDED BOTTOM PLATE, RH (Ext. B. Plate) (WD) (LR CONFIG.)		19	67.325	1	SPRING RH	1
	71.084.3	1	PRESSURE SPRING, RL	17	20	67.366	N/A	BALL CAGE	2
	71.284.3		PRESSURE SPRING, LR (LR CONFIG.)		21	66.112	7	ARM, IDLER PULLEY	1
2	67.316	3	BRACKET, BELT GUARD FASTENER	2	22	66.116	8	TENSION PULLEY ASSEMBLY	1
3	67.330	N/A	DZUS RECEPTACLE	2		66.116SS		TENSION PULLEY ASSEMBLY (WD)	
4	67.2310	4	COLLAR STUD, SPRING MOUNT	1	23	65.1.440	N/A	M4 x 6 HEX BOLT	36
5	71.091.1	1	INFEED PRESSURE PLATE (CS)	1	24	65.1.276	N/A	M6x10, SKT CAP	4
6	67.382	N/A	TORSION SPRING	1	25	65.1.258	N/A	M4 x 8, SKT CAP	2
7	67.318BL	7	INFEED VEE MOULDING LH SIDE	1	26	65.1.381	N/A	M5x8, SKT BUTTON	2
8	67.317BL		INFEED VEE MOULDING LH (LR CONFIG.)		27	65.1.265	N/A	SCREW, SKT CSK M4x8	1
9	71.109	2	PRESSURE WHEEL ADJUSTER	1	28	65.1.272	N/A	M6 x 10, BUTTON HEAD SCREW	3
10	67.365	10	GUIDE BLOCK	2	29	67.324	3	NUT, SPECIAL FOR TENSION PULLEYS	1
11	67.364	2	SHAFT & BLOCK ASSY SS CS	1	30	65.1.241	N/A	M6 x 8 CAP HEAD SCREW	4
12	65.1.168	N/A	M6 x 25 HEX HEAD SCREW	1	31	65.2.160	N/A	M6 PLAIN WASHER	4
13	67.363	5	PLAIN PULLEY	1	32	65.5.442	N/A	10mm ST. STEEL CIRCLIP	1
	67.363SS		PLAIN PULLEY (WD)		33	67.830175	2	SHIM WASHER	3
					34	67.361	3	ADJUSTER BODY	4
					35	65.1.144	N/A	M6 x 10 GRUB SCREW	4
					36	13.11.11	N/A	DZUS STUD	4
					37	67.334	N/A	DZUS STUD RETAINER	4

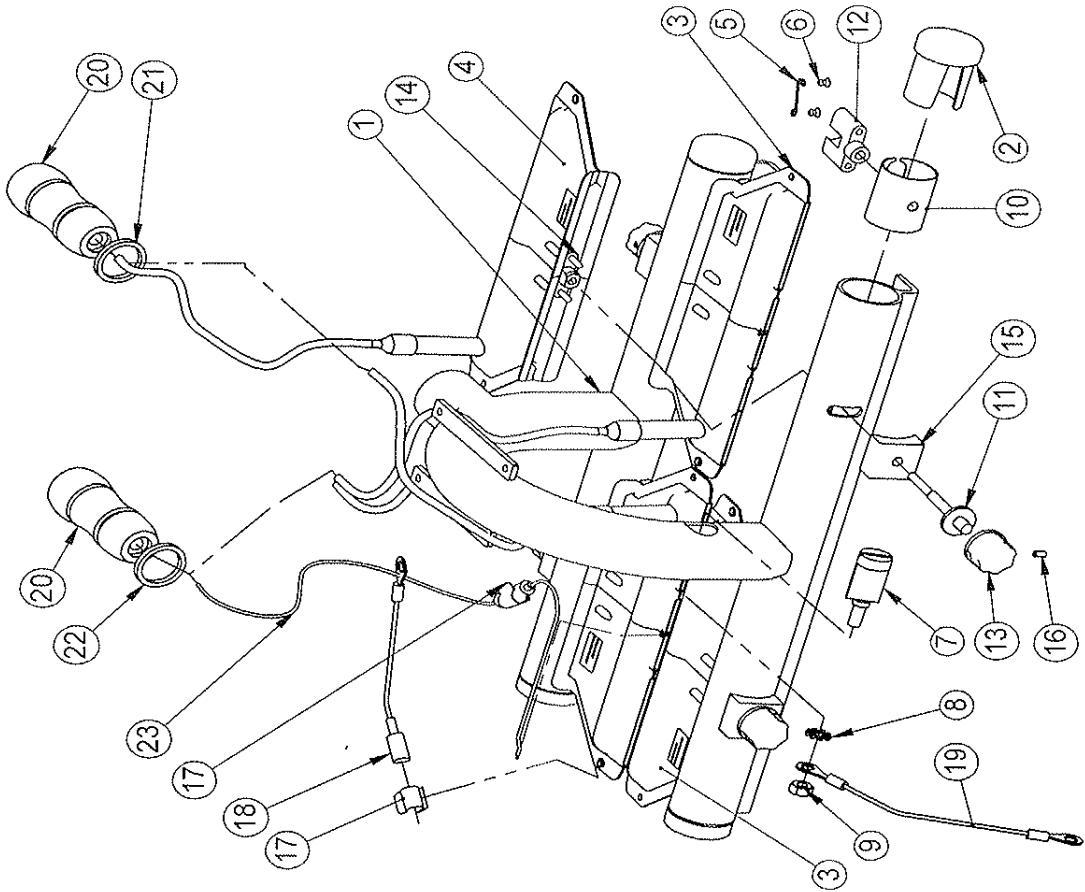
- NOTE:**
- PARTS FOR WASHDOWN MACHINE AS ABOVE UNLESS STATED WITH "(WD)".
 - PARTS FOR EXTENDED BOTTOM PLATE MACHINE AS ABOVE UNLESS STATED WITH "(Ext. B. Plate)".
 - PARTS FOR LR CONFIGURATION MACHINE AS ABOVE UNLESS STATED WITH "(LR CONFIG.)".

9.4 Heater Assembly 240V



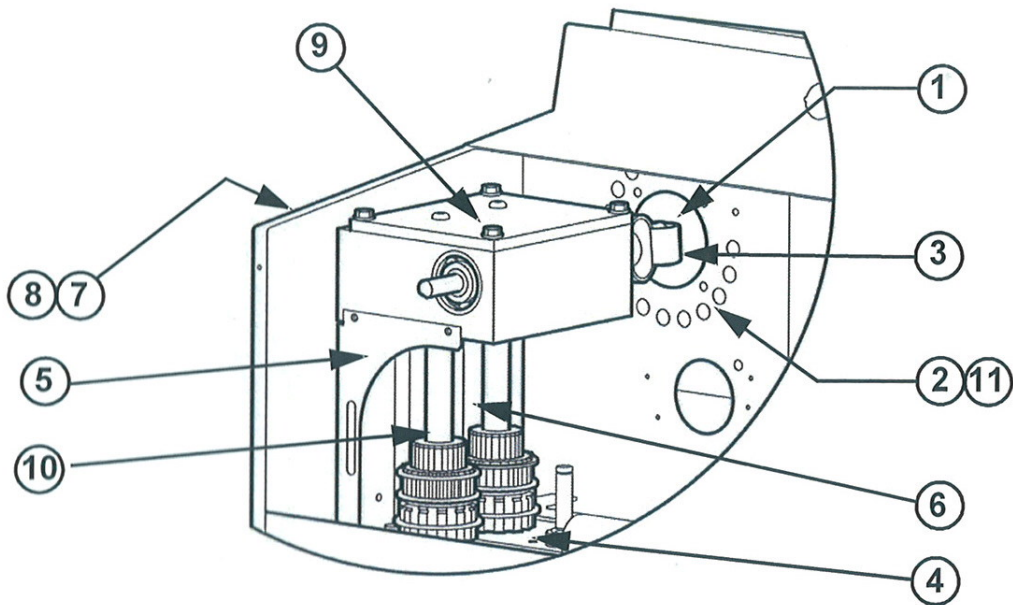
ITEM	PART NO.	ISSUE	DESCRIPTION	QTY.
1	71.105	7	AIR DUCT (2004)	1
2	67.405	1	MANIFOLD END CAP	4
3	71.106.3	1	HEATER CAPSULE RH., 240V	2
4	71.106.4	1	HEATER CAPSULE LH., 240V	2
5	67.409	N/A	IZUS SPRING	4
6	67.410	N/A	Rivet	8
7	67.415	7	VALVE, AIR DUCT	1
8	65-2-202	N/A	M6 EXT FAN WASHER	1
9	65.3.157	N/A	M5 NUT, FULL	1
10	67.401	8	INSULATING SLEEVE, AIR DUCT	4
11	67.402	10	SPINDLE CLAMP, HEATER CAP	4
12	67.406	8	CONNECTOR BODY (AIR DUCT)	4
13	67.403	N/A	KNOB	4
14	67.413	8	CONNECTOR BODY (CAPSULE)	4
15	67.404	9	SADDLE FOR CLAMPING SPINDLE	4
16	65.1.155	N/A	M3 x 6 GRUB SCREW	4
17	67.422	N/A	CABLE CLIP 8mm	2
18	67.115.1	N/A	EARTH STRAP	1
19	67.115.2	N/A	EARTH STRAP	1
20	75.524	N/A	PLUG, 8 WAY	2
21	75.528	N/A	COLOUR CODING RING, PLUG (YEL)	1
22	75.529	N/A	COLOUR CODING RING (RED)	1
23	67.421.5	1	THERMOCOUPLE "K" TYPE PROBE ASSY, 1.2MT	1

9.5 Heater Assembly 115V



ITEM	PART NO.	ISSUE	DESCRIPTION	QTY.
1	71.105	7	AIR DUCT (2004)	1
2	67.405	1	MANIFOLD END CAP	4
3	71.107.3	1	HEATER CAPSULE RH ASSY, 115V	2
4	71.107.4	1	HEATER CAPSULE ASSY LH, 115V	2
5	67.409	N/A	DZUS SPRING	4
6	67.410	N/A	Rivet	8
7	67.415	7	VALVE, AIR DUCT	1
8	65.2.202	N/A	M6 EXT FAN WASHER	1
9	65.3.157	N/A	M6 NUT, FULL	1
10	67.401	8	INSULATING SLEEVE, AIR DUCT	4
11	67.402	10	SPINDLE CLAMP, HEATER CAP	4
12	67.406	8	CONNECTOR BODY (AIR DUCT)	4
13	67.403	N/A	KNOB	4
14	67.413	8	CONNECTOR BODY (CAPSULE)	4
15	67.404	9	SADDLE FOR CLAMPING SPINDLE	4
16	65.1.155	N/A	M3 X 6 GRUB SCREW	4
17	67.422	N/A	CABLE CLIP 8mm	2
18	67.115.1	N/A	EARTH STRAP	1
19	67.115.2	N/A	EARTH STRAP	1
20	75.524	N/A	PLUG, 8 WAY	2
21	75.528	N/A	COLOUR CODING RING, PLUG (YEL)	1
22	75.529	N/A	COLOUR CODING RING (RED)	1
23	67.421.5	1	THERMOCOUPLE "K" TYPE PROBE ASSY, 1.2MT	1

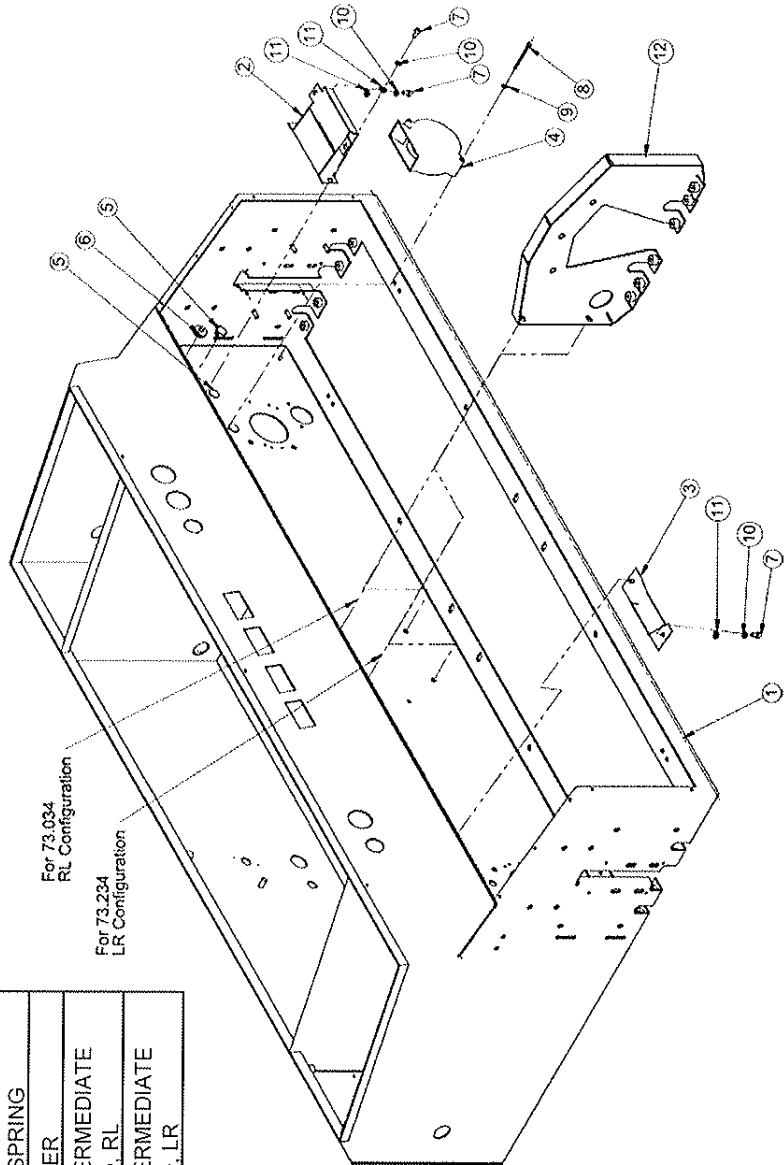
9.6 Main Drive



Item	Part No	Description	Qty
1	12.200	Motor	1
2	65.1.296	M5x20 Skt Cap Screw	4
3	73.023	Coupling	1
4	71.012	Drive Pulley	2
	71.012.SS	Drive Pulley	2
5	71.027	Gearbox Bracket LH	1
6	71.028	Gearbox Bracket RH	1
7	65.1.95	M6x15 Button Head Screw	4
8	65.1.163	M4x10 Button Head Screw	4
9	See table below	Gearbox	1
10	71.063.1	Key	2
11	65.2.251	M5 Washer	4

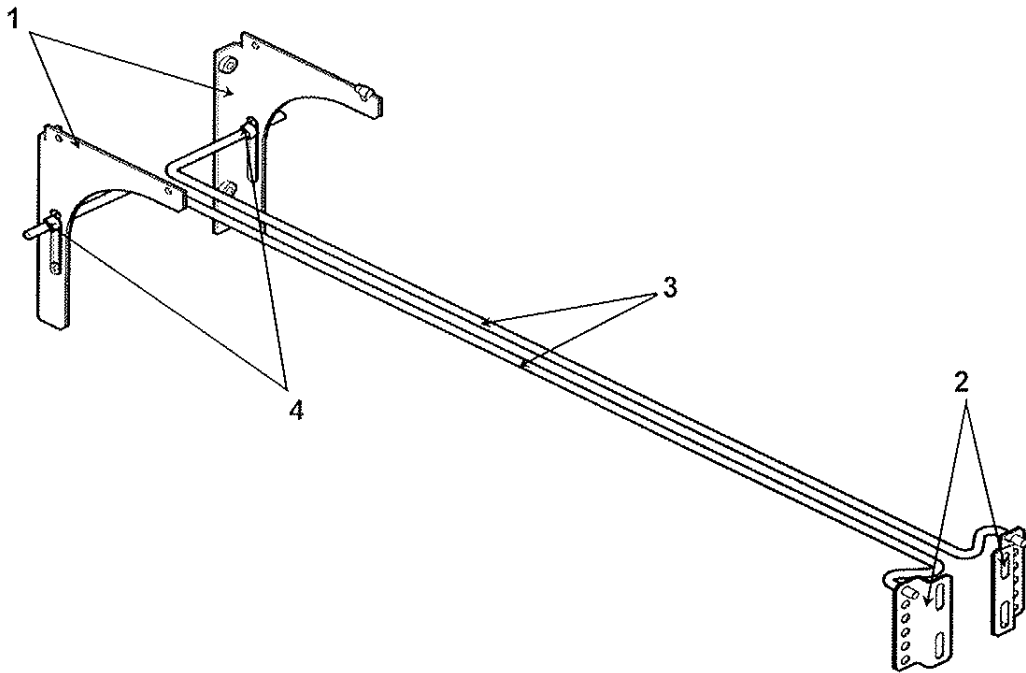
Gearbox		
Part No	Ratio	Speed Range (Mt/min)
71.101.14	14:1	9.7 to 22.2
71.101.22	22:1	6.2 to 14.1
71.101.50	50:1	2.7 to 6.2

9.7 Mainframe Air Duct Assembly



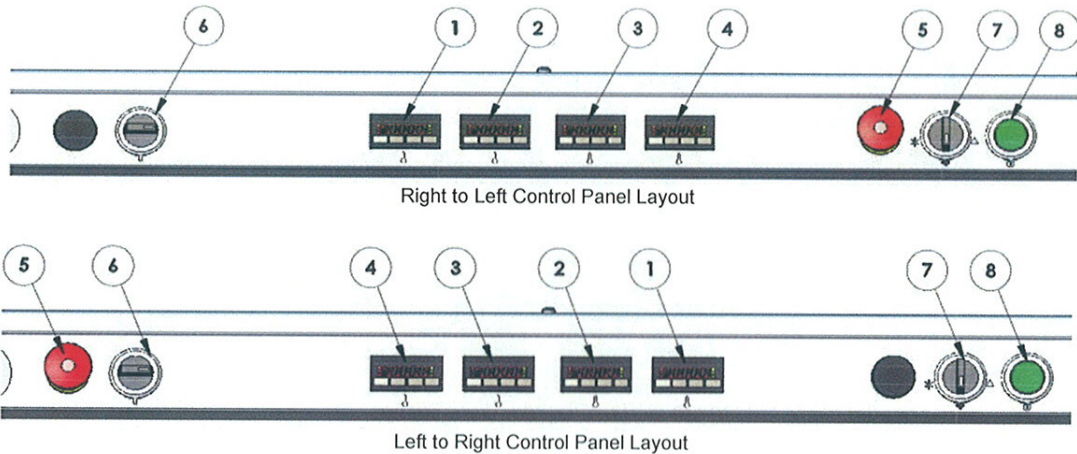
ITEM	PART NO	DESCRIPTION
1	73.002	MAINFRAME, 2000
2	73.007	COOLING FAN AIR DUCT
3	73.008	COOLING FAN OUT FLOW BRACKET
4	73.292	FAN
5	23.181	BLANKING DOME PLUG, Dia. 12mm
6	23.182	GROMMET, 12 BORE
7	65.1.258	M4 x 8. SKT CAP
8	65.1.338	M3 x 40 CHEESEHD
9	65.2.149	M3 WASHER, SPRING
10	65.2.249	M4 WASHER, SPRING
11	65.2.159	M4 WASHER
12	73.034	2000 SERIES, INTERMEDIATE BULKHEAD, RL
	73.234	2000 SERIES, INTERMEDIATE BULKHEAD, LR

9.8 Bag Guide



Item	Part No	Description	Quantity
1	—	Gearbox Bracket	—
2	—	Bracket inside Mainframe	—
3	73.030	Bag Guide	2
4	65.3.157	M6 Nuts	4

9.9 Control Panel



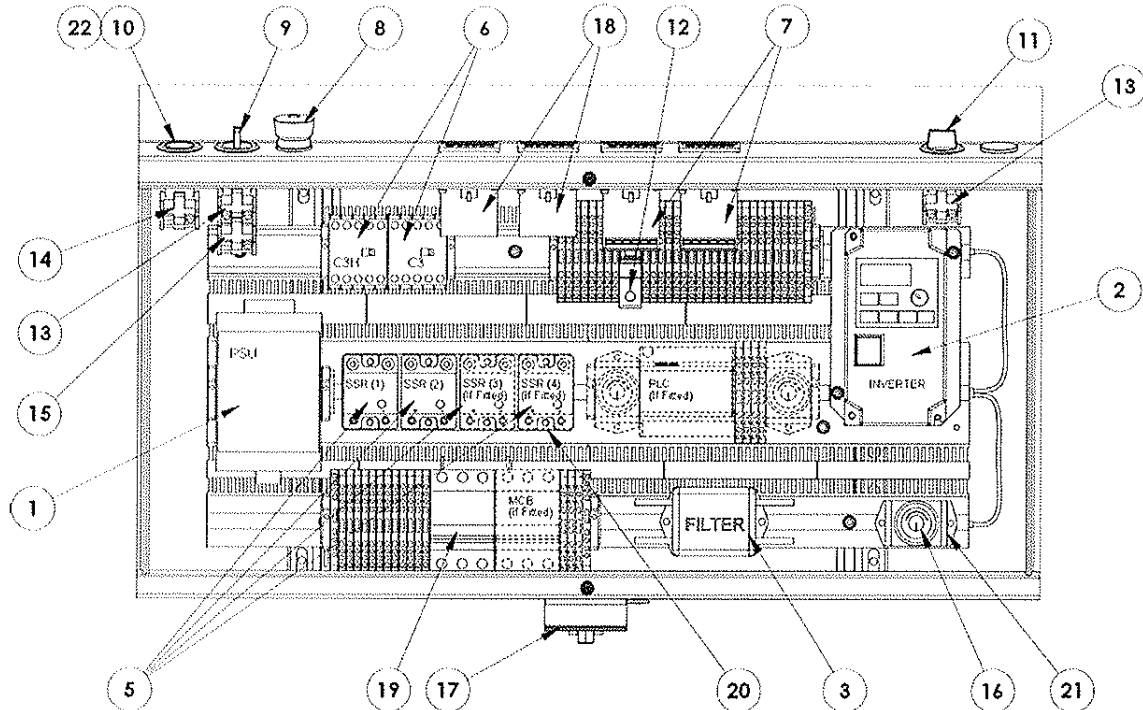
Item	Part No	Description
1	27.933.6*	PID 1
2	27.933.6*	PID 2
3	27.933.6*	PID 3 (See note)
4	27.933.6*	PID 4 (See note)
5	27.809	E Stop
6	27.802	Column Switch (if fitted)
7	27.801	Cool / Off / Seal
8	27.800	On Switch

*For PID with °F display, use part number suffix "F".



If only two Thermocouples are fitted, PID 3 and PID 4 will be dummies (27.933.1) and will not show any display.

9.10 Rear Housing



Note:

This shows the Left to Right configuration.

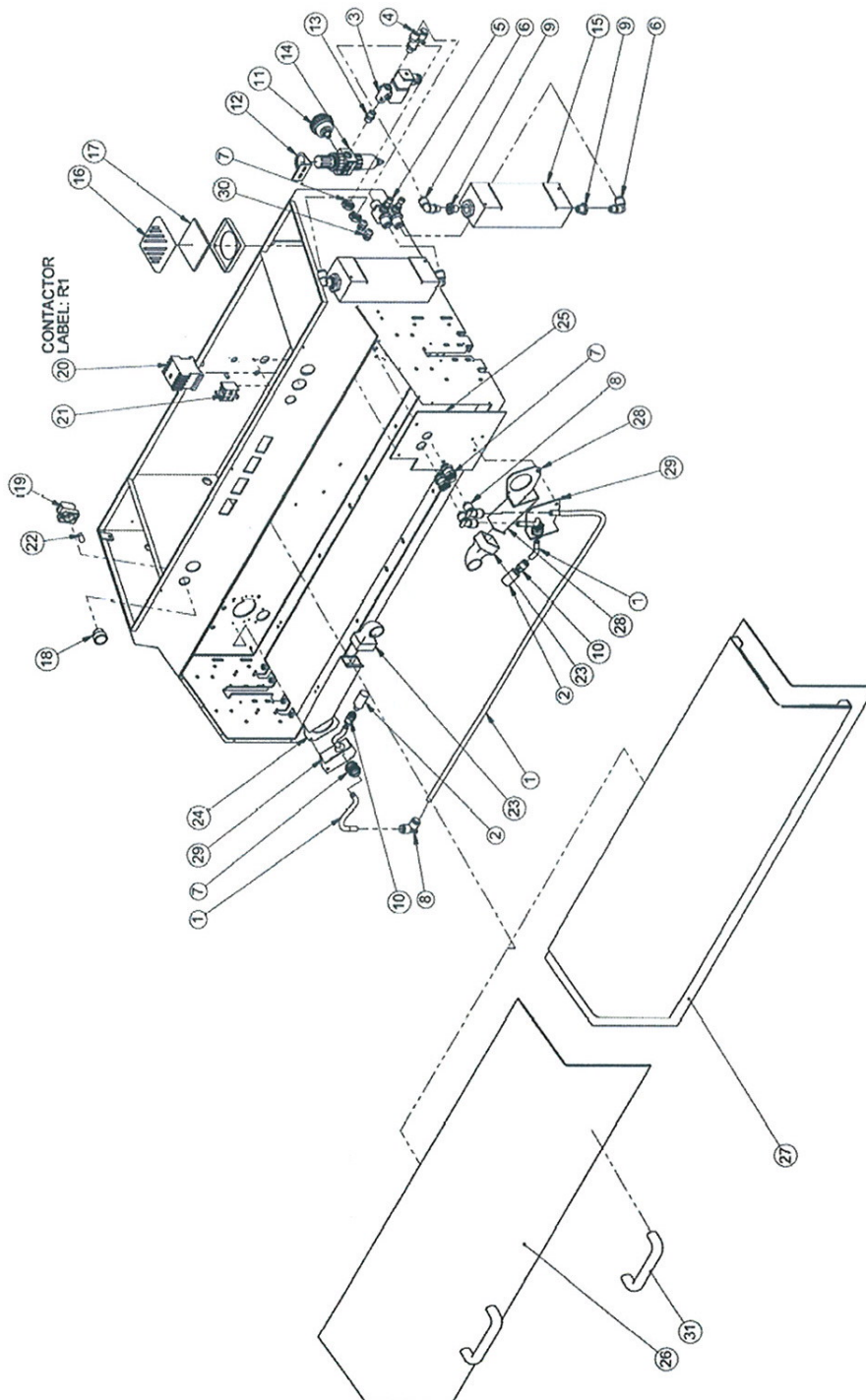
For the Right to Left configuration of the Control Panel switches and PIDs, see Section 9.9.

<u>Item</u>	<u>Part No</u>	<u>Description</u>	<u>Quantity</u>
1	27.714	Power Supply	1
2	27.707	Inverter – Lenze (230v)	1
	27.717	Inverter - Omron Built in Speed Pot (230v)	1
3	27.915.1	Filter 3Ph	1
	27.914	Filter 2Ph	1
5	67.908.3	SSR	Quantity dependent on M/C type
6	27.199	Contactor (10A)	Quantity dependent on M/C type
	27.201	Contactor (20A)	
7	27.933.6*	PID	Quantity dependent on M/C type
8	27.809	E Stop	1
9	27.801	Cool – Off Seal	1
10	27.800	On Button	1
11	27.802	Column Switch (if fitted)	1
12	27.711	MCB 6A	1
13	27.805	N/o Contact Block	1
14	27.803	N/o Contact Block	1
15	27.804	N/c Contact Block	1
16	27.810	Speed Control (when fitted internally)	1
17	27.703	Isolator Switch	1
18	27.933.1	PID Blank	Quantity dependent on M/C type
19	27.709	MCB 10A (3Ph, 240V)	1
	27.726	MCB 20A (2Ph, 240V)	
20	73.006	SSR Mounting Plate (if fitted)	1
21	75.535	Speed Control Bracket	1
22	27.808	Light Bulb	1

*For PID with °F display, use part number suffix "F".

9 PARTS / SPARES

9.1.1 SH2000 PNEUMATIC-AIR DUCT ASSEMBLY



9 PARTS/ SPARES

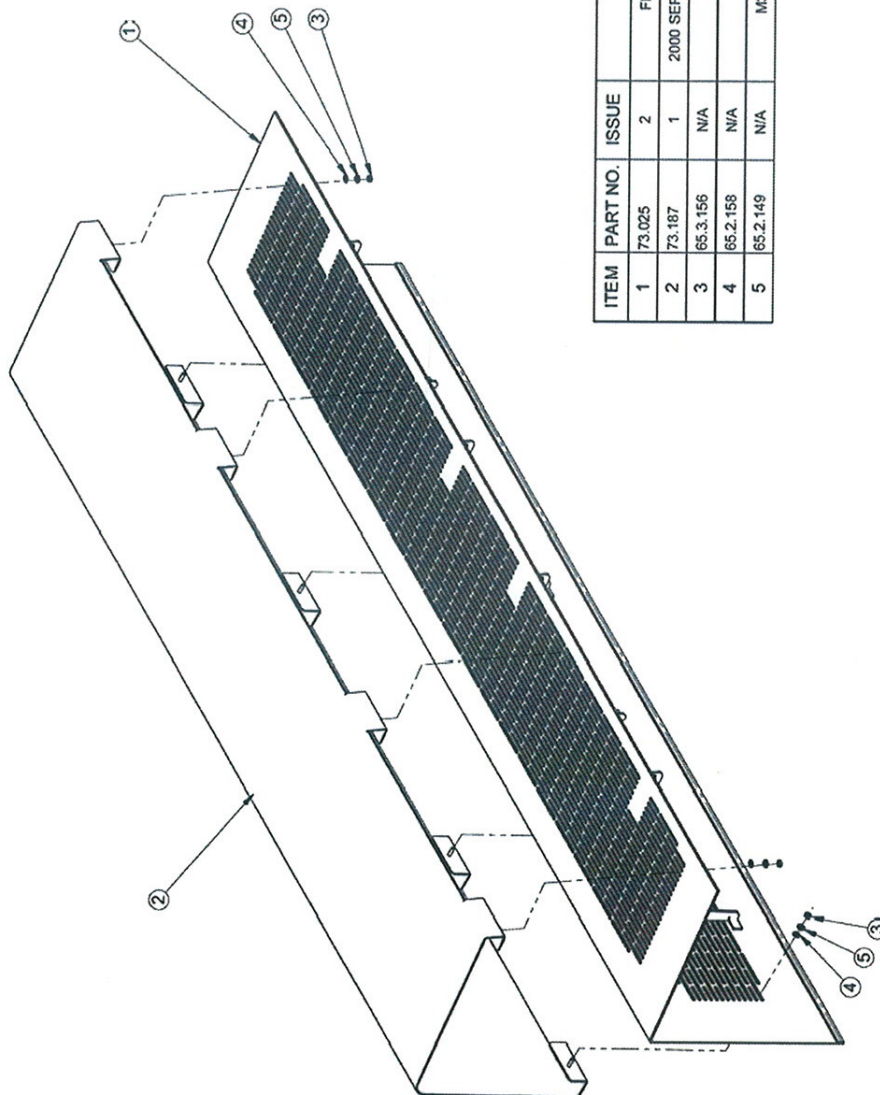
9.1.1 SH2000 PNEUMATIC-AIR DUCT ASSEMBLY PARTS LIST

ITEM	PART NO.	ISSUE	DESCRIPTION	QTY.
19	27.42	N/A	PUSH BUTTON HOLDER	1
20	27.422	N/A	CONTACTOR 24VDC	1
21	27.805	N/A	CONTACT BLOCK, 2 N-O	1
22	27.808	N/A	LIGHT BULB	1
23	71.003	1A	AIR DUCT CONNECTOR	2
24	71.032	1	FAN DUCT R-L	1
25	73.002 Plate.3	2	2000 SERIES, COVER PLATE	1
26	73.025.2	1	SOLID FRONT COVER (Option)	1
27	ZX2M60001	1	2000 SERIES, SOLID FRONT COVER ASSY	1
28	73.032	3	FAN DUCT, SHORT	1
29	73.156	2	FAN DUCT COVER	2
30	75.20.2	N/A	CABLE GLAND, PG7 IP68	3
31	75.537	N/A	NYLON HANDLE, 149MM	2

ITEM	PART NO.	ISSUE	DESCRIPTION	QTY.
1	23.117	N/A	TUBE 10MM	5
2	23.172	N/A	SILENCER, VORTEX COOLER	2
3	23.186	N/A	SOLENOID VALVE 24VDC	1
4	23.302	N/A	Y ADAPTOR R1/4 X 10	1
5	23.303	N/A	IN LINE REGULATOR 10MM	2
6	23.304	N/A	ELBOW ADAPTOR, G1/4 X 10MM	4
7	23.305	N/A	BULKHEAD UNION 10MM	6
8	23.306	N/A	ELBOW FITTING 10MM	3
9	23.307	N/A	REDUCER, 1/2 - 1/4	4
10	23.309	N/A	STRAIGHT G1/4 X 10MM PUSH-IN	2
11	23.41.1	N/A	PRESSURE GAUGE	1
12	23.48	N/A	MOUNTING RING & BRACKET	1
13	23.713	N/A	DOUBLE MALE ADAPTOR, 1/4 BSP	2
14	23.714	N/A	FILTER REGULATOR, G1/4	1
15	23.720.1	N/A	FLOWMETER (20-200)	2
16	23.721	N/A	AIR FILTER FRAME 80 X 80 (Option)	4
17	23.721.1	N/A	AIR FILTER PAD (Option)	4
18	27.141	N/A	PUSH BUTTON (RED)	1

9 PARTS/ SPARES

9.1.2 2000 SERIES SOLID FRONT COVER ASSEMBLY PARTS LIST



ITEM	PART NO.	ISSUE	DESCRIPTION	QTY.
1	73.025	2	FRONT COVER, 2000	1
2	73.187	1	2000 SERIES SOLID FRONT COVER	1
3	65.3.156	N/A	M3 NUT	8
4	65.2.158	N/A	M3 WASHER	8
5	65.2.149	N/A	M3 WASHER, SPRING	8