

Service
THREAD



SERVICE THREAD MANUFACTURING CO

**SERVICE
Contractor Series
PORTABLE BAG CLOSER**

**Model "S"
Parts List**

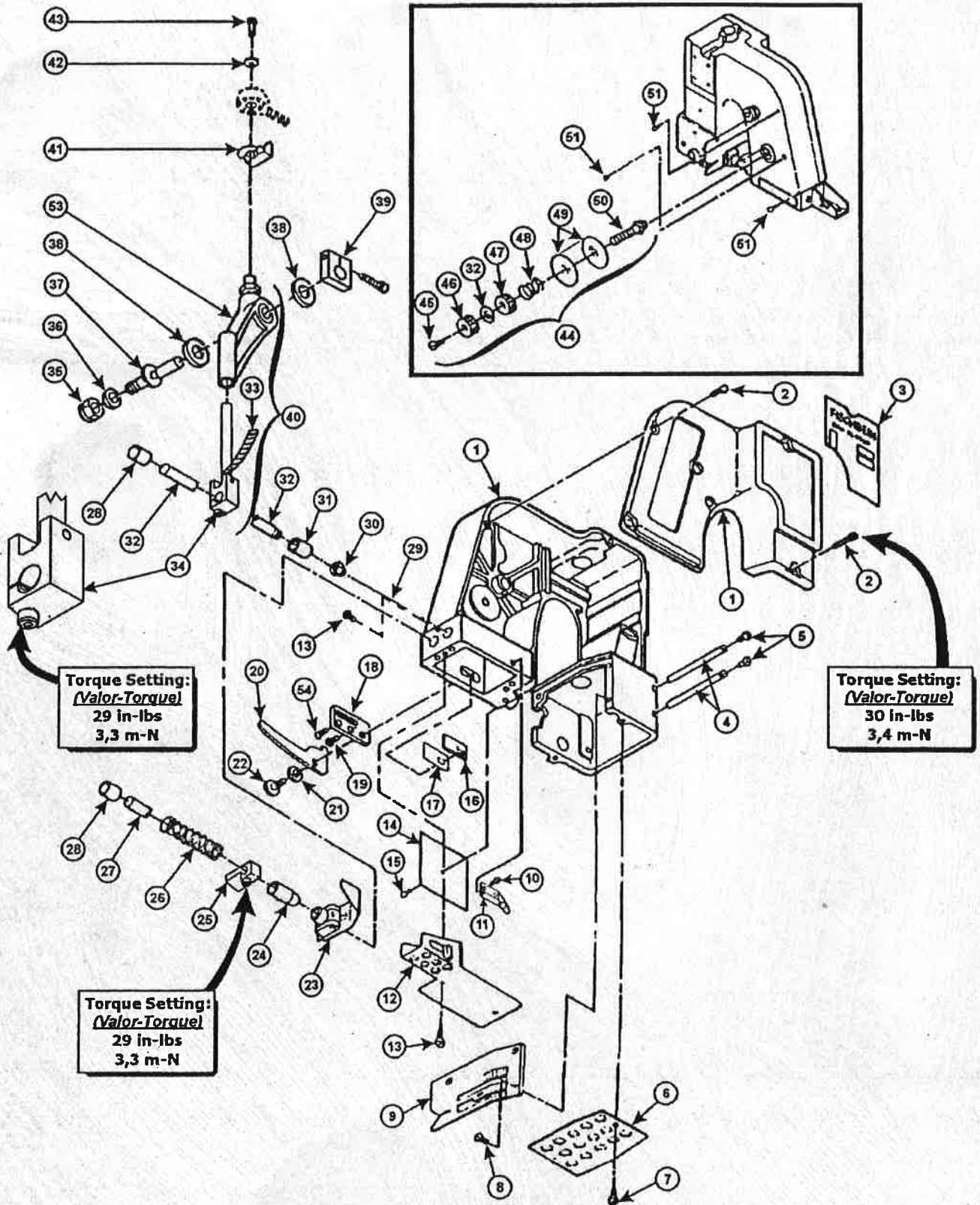


"S" SERIES PORTABLE SEWING MACHINES
OPERATOR'S MANUAL

DRAWINGS AND PARTS
LISTS

ESQUEMA Y LISTA DE
PARTES

PLATE A



**"S" SERIES PORTABLE SEWING MACHINES
OPERATOR'S MANUAL**

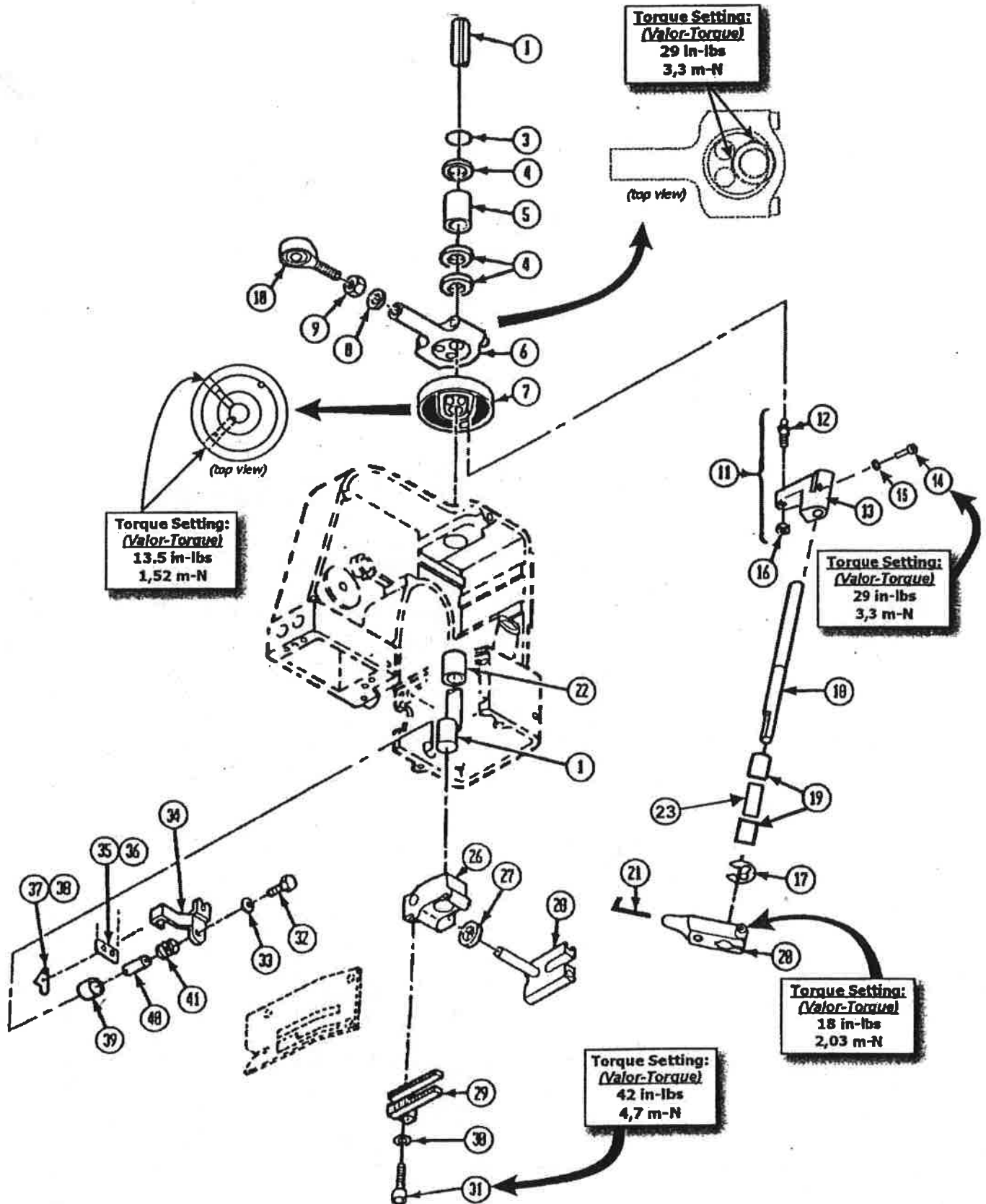
**MODEL "S" HOUSING, NEEDLE LEVER & PRESSER FOOT
Plate "A"**

ITEM	QUAN.	PART NO.	DESCRIPTION
1	1	40448	Assy, Housing & Cover W/ Bushings
		11299	Cover, Housing
◆ 2	6	SC83212	Screw, Soc Cap 8-32 X 1/2"
3	1	40004	Nameplate, MODEL "S"
4	2	11010	Stud, Feed Dog Carrier Slide
5	4	SB103214	Screw, Soc. Button 10-32 X 1/4"
6	1	11102	Cover, Looper
7	1	11108	Screw, Looper Cover
8	3	F64038	Screw, Flat Hd. #6-40 X 3/8"
9	1	11210	Plate, Throat - Standard
		11212	Plate, Throat - Taping (Not Shown)
10	2	SB63216	Screw, Soc. Botton 8-32 x 1/4"
11	1	11321	Tube, Thread Guide (Front)
12	1	11101	Guard, Needle Bar
13	4	SC83214	Screw, Soc CAP 8-32 X 1/4 BO (SP)
14	1	11009	Plate, Cover
15	1	SB832516	Screw
16	1	11657	Cover, Slide Pad
17	1	11656	Pad, Slide
18	1	11651	Plate, Lever
19	1	SF832516	Screw, Soc Flat #8-32 X 5/16 BO
20	1	11654	Lever, Presser Foot Lifter
21	1	11655	Washer, Spring
22	1	11653	Screw, Pivot
23	1	11400	Assy., Presser Foot - Standard
		11399	Assy, Presser Foot - Taping (Not Shown)
24	1	11444	Bushing, Presser Bar - Lower
◆ 25	1	11652	Lifter, Presser Foot
26	1	11414	Spring, Presser Bar
27	1	11404	Presser Bar
28	2	11442	Bushing, Needle Bar and Presser Bar - Upper
29	1	D5	Needle
30	1	11501	Nut, Needle Bar
31	1	11443	Bushing, Needle Bar - Lower
32	1	11500	Needle Bar
33	1	11508	Wicking, Oil Lubricant
◆ 34	1	40502	Assy, Needle Bar Clamp (double)
35	1	11268	Nut, Lock (Nylock) 3/8 - 24 NC
36	1	A3934	Washer, Idler
37	1	11287	Pin, Pivot
38	2	WT38132	Washer, Thrust
39	1	11008	Clamp, Pivot - Needle (Mod E)
40	1	40099	Assy., Needle Bar Clamp and Lever
41	1	11510	Spring
42	2	WF10	Washer, #10 Flat
43	1	H103212	Screw, Hex Hd. 10-32 X 1/2"
44	1	11112	Assy., Complete Thread Tension
45	1	F64038	Screw, Flat #6-40 X 3/8"
46	1	11116	Nut, Tension - Upper
47	1	11117	Nut, Tension - Lower
48	1	11115	Spring, Thread Tension
49	2	11114	Disc, Thread Tension
50	1	11113	Stud, Thread Tension
51	3	11109	Eyelet, Thread Pulloff Eyelet
52	1	11120	Washer, Split Lock 1/4" LT Tension
53	1	11025	Lever, Needle
54	1	SB832516	Screw, Soc Bttn 8-32 X 5/16 BO (SP)

◆ Indicates Item has a specified torque (*indica artículo con lleva torque especificado*)

"S" SERIES PORTABLE SEWING MACHINES OPERATOR'S MANUAL

PLATE B



**"S" SERIES PORTABLE SEWING MACHINES
OPERATOR'S MANUAL**

MODEL "S" MAIN SHAFT & LOOPER ASSEMBLY

Plate "B"

ITEM	QUAN.	PART NO.	DESCRIPTION
1	1	11600	Main Shaft
	1	SC54038	Screw, Soc. Cap 5-40 x 3/8"
3	1	10420	"O" - Ring
4	3	11006	Thrust Washer
5	1	11441	Bushing, Main Shaft - Rear
◆ 6	1	11079	Assy., Connecting Rod & Eccentric (REPLACEMENT)
7	1	40310	Assy., Looper Cam
◆	1	*** SS83212CP ***	Screw, Soc. Set 8-32 X 1/2" (Cone Point)
◆	1	*** SS83212 ***	Screw, Soc. Set 8-32 X 1/2"
8	1	WIT516	Washer, Internal Tooth 5/16"
9	1	11608	Nut, Hex (Special)
10	1	11607	Bearing, Rod End
11	1	40317	Assy., Cam Follower Arm & Stud
12	1	11308	Stud, Cam Follower
13	1	40307	Arm, Cam Follower
◆ 14	1	SC63258	Screw, Soc. Cap 6-32 X 5/8"
15	1	40313	Washer, Flat - #6 Special
16	1	11309	Nut, Hex-Special
17	1	67693	E-Clip (1/4" shaft)
18	1	11303	Shaft, Looper
19	2	11449	Bushing, Looper Shaft - 1/2" Long
◆ 20	1	11301	Holder, Looper
	1	12025	Screw, Soc Set #8-32 X 3/16 HD
	1	SC54038	Screw, Soc. Cap 5040 X 3/8"
21	1	11300	Looper
22	1	11447	Bushing, Main Shaft - Front
23	1	11454	Spacer
26	1	11437	Carrier Block, Feed Dog
	4	SS64038FP	Screw, Soc. Set 6-40 X 3/8"
	1	SB832516	Screw, Soc. Btn. 8-32 X 5/16"
	1	WIT8	Washer, Internal Tooth #8
	1	11003	Clip, Angle
27	1	11410	Washer, Felt
28	1	11446	Slide
29	1	11203	Feed Dog
30	1	WS8	Washer, Spring #8
◆ 31	1	SC8321	Screw, Soc. Cap 8-32 X 1"
32	1	H103238	Screw, Hex Hd. 8-32 X 3/8"
33	1	WIT10	Washer, Internal Tooth #10
34	1	11007	Bracket, Knife
35	1	11703	Knife, Stationary
36	2	F348516	Screw, Flat Hd. 3-48 X 5/16"
37	1	11702	Knife, Moving
38	2	F348316	Screw, Flat Hd. 3-48 X 3/16"
39	1	11016	Bushing, Knife Shaft
40	1	11707	Shaft, Knife
41	1	11704	Spring, Knife Tension

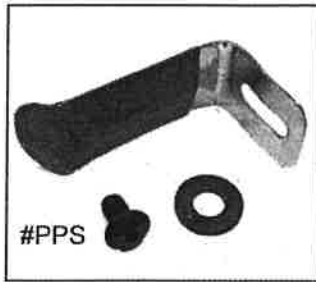
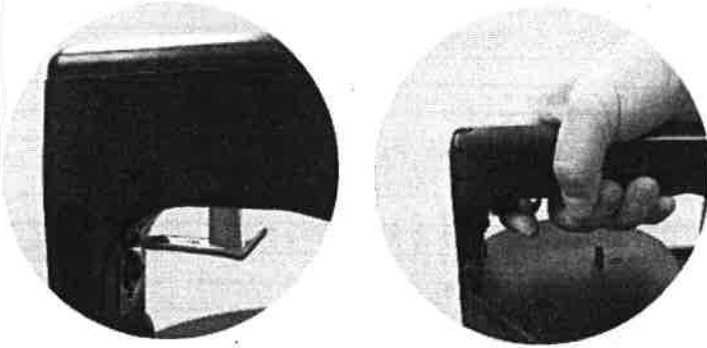
*****NOTE: THE TORQUE SPECIFICATIONS MUST NOT EXCEED 13.5 in-LBS (1,52 m-N).**

◆ Indicates Item has a specified torque (*indica artículo con lleva torque especificado*)

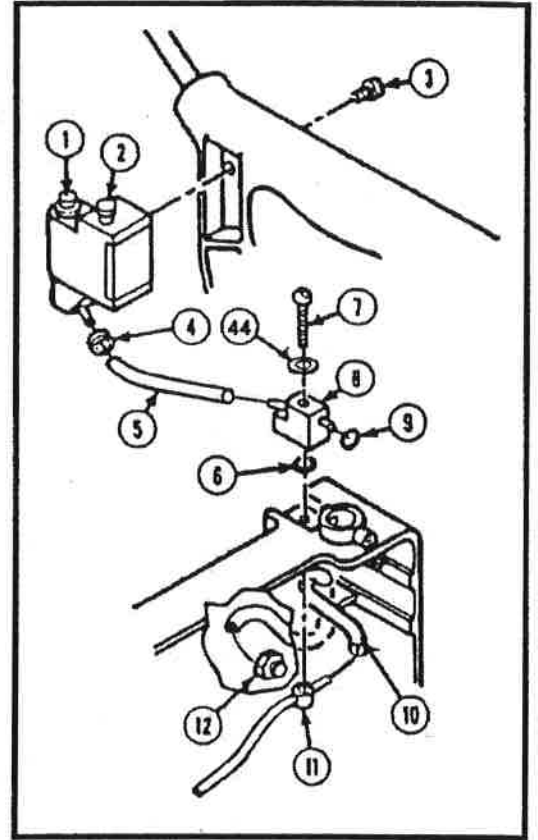
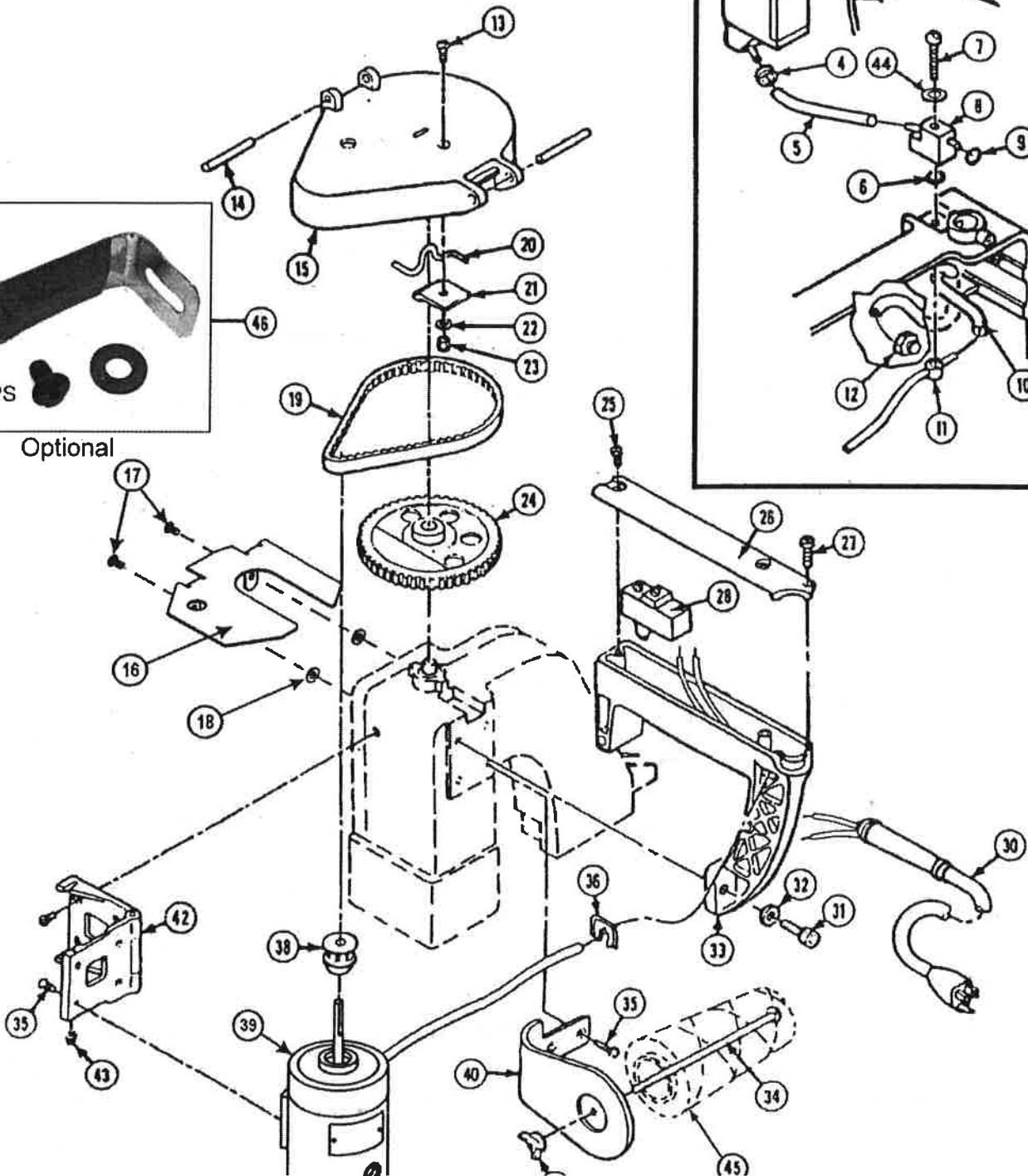
"S" SERIES PORTABLE SEWING MACHINES
OPERATOR'S MANUAL

PLATE D

New Presser Plate for button switch (Patented)
eliminating sore finger for continuous operation



Optional



**"S" SERIES PORTABLE SEWING MACHINES
OPERATOR'S MANUAL**

MODEL "S" HANDLE AND ELECTRIC DRIVE (with Motor-115V ONLY)

Plate "D"

ITEM	QUAN.	PART NO.	DESCRIPTION
1	1	11450	Assy., Oil Pump
2	1	11453	Cap, Oil Reserve
3	1	SB83212	Screw, Soc. Btn. 8-32 X 1/2"
4	1	11472	Clamp, Garter Spring
5	4" (102mm)	85128	Tubing, Tygon 1/4" OD
6	1	11479	"O" Ring
7	1	SB832114	Screw, Soc. Btn. 8-32 X 1 1/4"
8	1	11475	Manifold, Outside
9	1	11478	"O" Ring
10	4.5" (114mm)	85128	Tubing, Tygon 1/4" OD
11	1	11485	Weldment, Manifold - Inside
12	1	11490	Fitting, Barbed
13	1	SF832516	Screw, Soc. Flat 8-32 X 5/16"
14	2	PS6.6X40	Spring Pin 1/4" Dia. X 1 1/2"
15	1	11018	Guard, Belt (Top)
16	1	11801	Guard, Pulley Drive
17	2	SB102438	Screw, Soc Btn #10-24 X 3/8 BO
18	2	WN8	Washer, Nylon #8
19	1	11909	Drive Belt, Timing
20	1	11012	Hanger
21	1	11017	Clip, Hanger
22	1	WIT8	Washer, Internal Tooth #8
23	1	NH832	Nut, Hex 8-32
24	1	11904	Pulley, Machine
25	2	SB103212	Screw, Soc. Set 10-32 X 1/2"
26	1	11011	Cover, Handle
27	1	SC44034	Screw, Soc. Cap 4-40 X 3/4"
28	1	12500	Switch
30	1	40066	Cord Set (2-wire)
	1	11777	Cord Set - 12 Volt (10 Ft.)
31	2	SC142034	Screw, Soc. Cap 1/4-20 X 3/4"
32	2	WS14	Washer, Spring 1/4"
33	1	11028	Handle (Standard Unit)
34	1	11804	Holder, Thread Guide and Cone
35	10	SF103238	Screw, Soc. Flat 10-32 X 3/8"
36	1	11073	Strain Relief
38	1	11902	Assy, Pulley-Motor Timing
39	1	67842	Assembly, Motor, 115 VAC
		67753	Assembly, Motor, 220VAC Euromotor
40	1	11815	Thread Stand (8 oz. or 16 oz. Cone)
41	1	11805	Nut, Wing-Washer Base-1/4-20
42	1	11906	Assy, Hinge-Motor Mount
43	2	11908	SCREW, SEMS-PAN HD 6-32 X 7/16
	1	11190	Oil and Needles Kit (Not Shown)
	1	36069	Owners Manual and Warranty Card
44	1	WN8	Washer, Nylon-#8
	1	1-147	MODEL S Tool Kit
45	1	PT8OZWHITE	Thread, Poly 8 Oz. Cone
46	1	PPS	Pressure plate with screw & washer (optional)

Item No.	Amount	Page	Item No.	Amount	Page
1-147	1	5	11399	1	1
10420	1	1	11400	1	1
11003	1	3	11404	1	1
11006	3	3	11410	1	3
11007	1	3	11414	1	1
11008	1	1	11437	1	3
11009	1	1	11441	1	3
11010	2	1	11442	2	1
11011	1	5	11443	1	1
11012	1	5	11444	1	1
11016	1	3	11446	1	3
11017	1	5	11447	1	3
11018	1	5	11449	2	3
11025	1	1	11450	1	5
11028	1	5	11453	1	5
11073	1	5	11454	1	3
11079	1	3	11472	1	5
11101	1	1	11475	1	5
11102	1	1	11478	1	5
11108	1	1	11479*	1	5
11109	3	1	11485	1	5
11112	1	1	11490	1	5
11113	1	1	11500	1	1
11114	2	1	11501	1	1
11115	1	1	11508	1	1
11116	1	1	11510	1	1
11117	1	1	11600	1	3
11120	1	1	11607	1	3
11190	1	5	11608	1	3
11203	1	3	11651	1	1
11210	1	1	11652	1	1
11212	1	1	11653	1	1
11268	1	1	11654	1	1
11287	1	1	11655	1	1
11299	1	1	11656	1	1
11300	1	3	11657	1	1
11301	1	3	11702	1	3
11303	1	3	11703	1	3
11308	1	3	11704	1	3
11309	1	3	11707	1	3
11321	1	1	11777	1	1

Item No.	Amount	Page	Item No.	Amount	Page
11801	1	5	SB832516	3	1,3
11804	1	5	SC142034	2	5
11805	1	5	SC44034	1	5
11815	1	5	SC54038	2	3
11902	1	5	SC63258	1	3
11904	1	5	SC8321	1	3
11906	1	5	SC83212	6	1
11908	2	5	SC83214	4	1
11909	1	5	SF103238	10	5
12025	1	3	SF832516	2	1,5
12500	1	5	SS64038FP	4	3
36069	1	5	SS83212	1	3
40004	1	1	SS83212CP	1	3
40066	1	5	WF10	2	1
40099	1	1	WIT10	1	3
40307	1	3	WIT516	1	3
40310	1	3	WIT8	2	3,5
40313	1	3	WN8	3	5
40317	1	3	WS14	2	5
40448	1	1	WS8	1	3
40502	1	1	WT38132	2	1
67693	1	3			
67842	1	5			
85128-4	1	5			
85128-4.5	1	5			
A3934	1	1			
D5*	1	1			
F348316	2	3			
F348516	2	3			
F64038	4	1			
H103212	1	1			
H103238	1	3			
NH832	1	5			
PS6.6X40	2	5			
PT80ZWHITE	1	5			
SB102438	2	5			
SB103212	2	5			
SB103214	4	1			
SB63216	2	1			
SB832114	1	5			
SR83212	1	5			